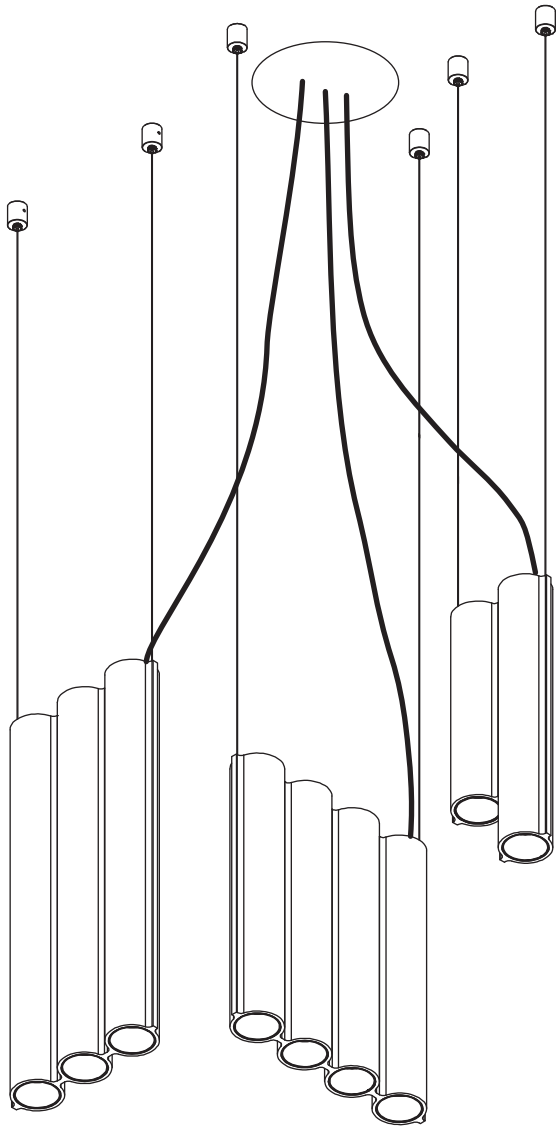



---

SILO 12 220-240V

---

**Recessed canopy  
Plenum (non insulated) or remote installation**



- 
- Please read entire manual before beginning installation
  - To be installed by an electrician
  - Use appropriate screws where necessary
  - Wear enclosed gloves when handling lamp
  - Handle materials with care. Please consult lamp maintenance sheet on our web site

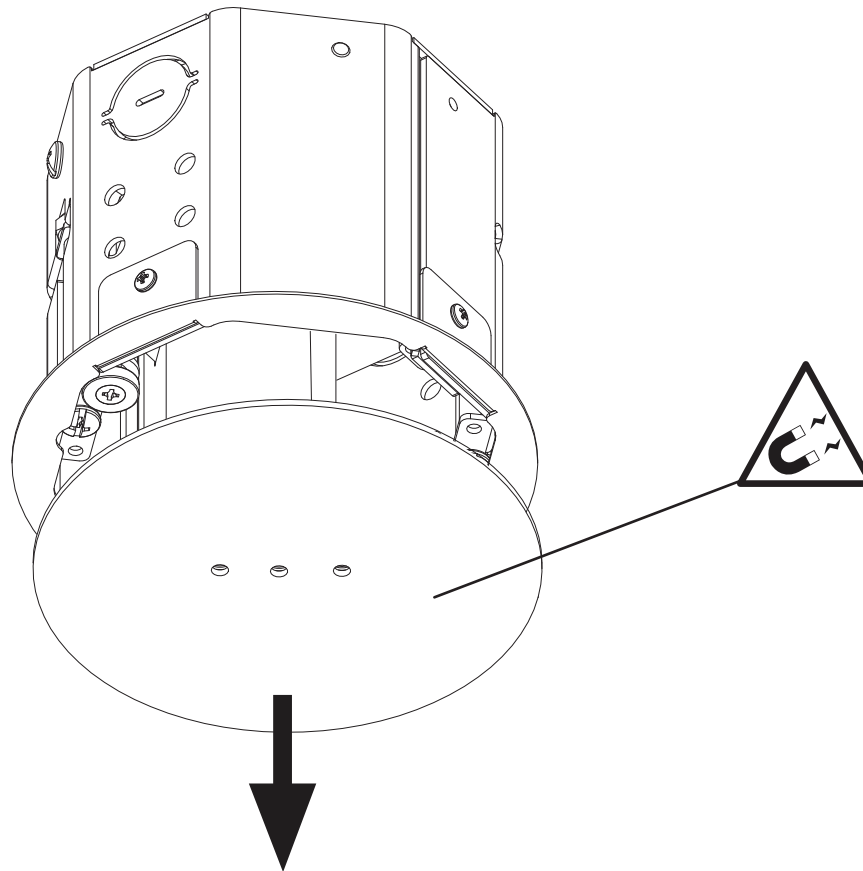


**Never turn on power supply  
until installation is completed**

1

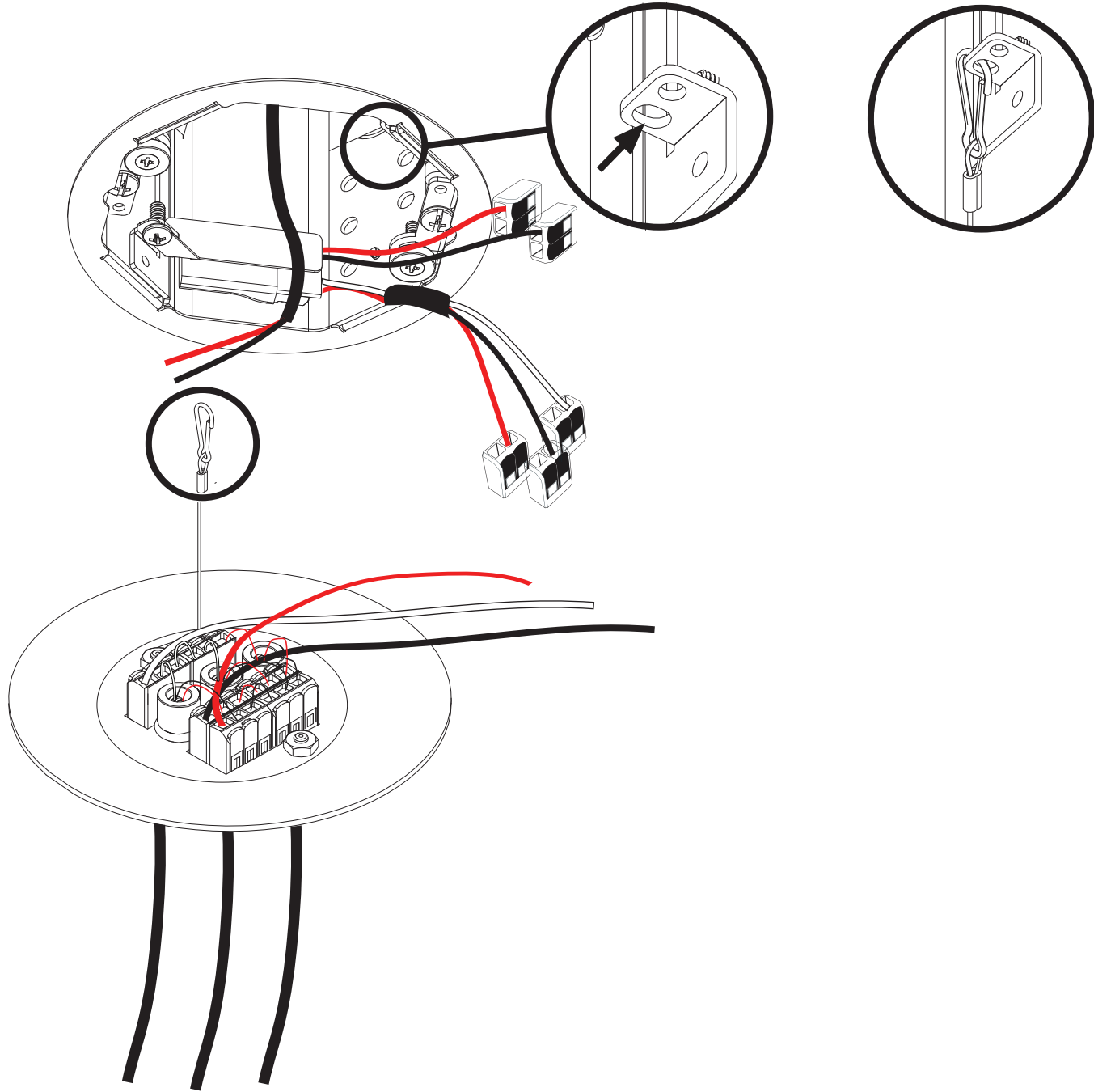
Remove Octobox cover plate.

Refer to:  
Annex (independent driver) - page 11



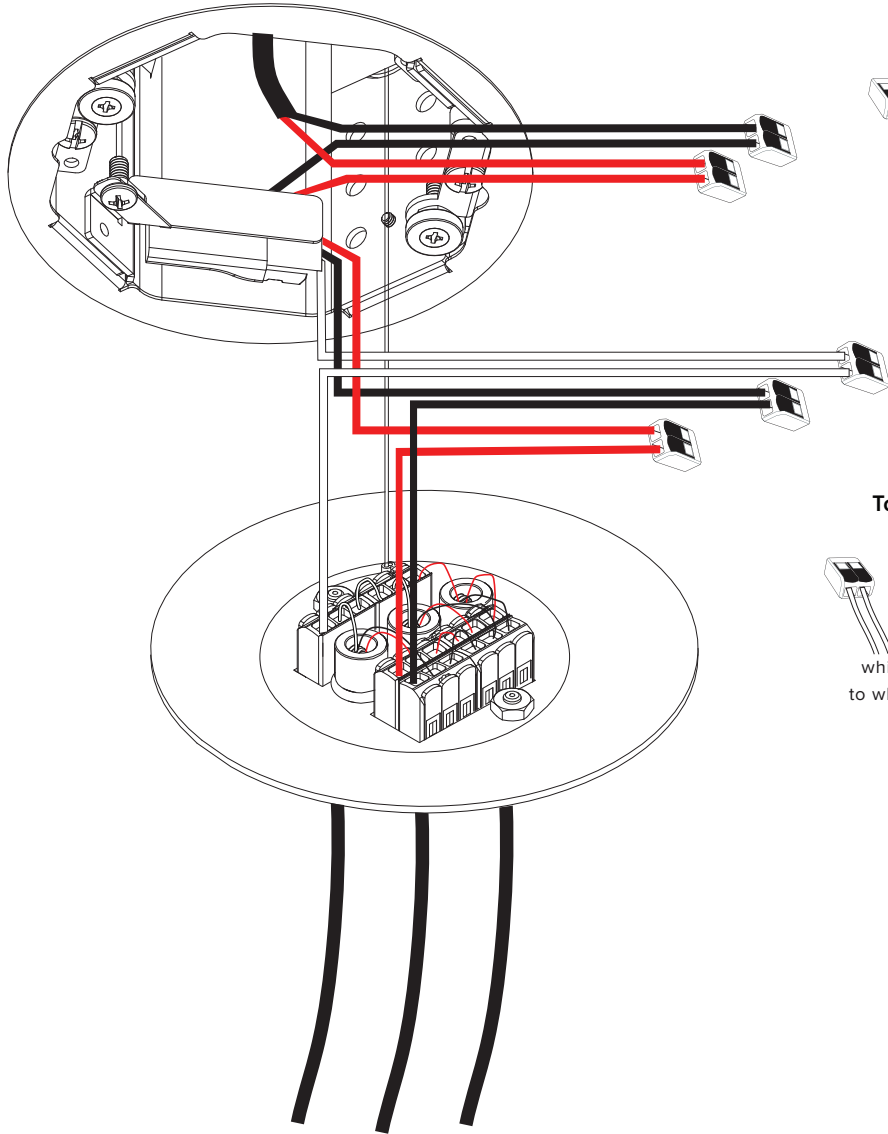
2

Clip canopy cover  
to octobox to secure it.

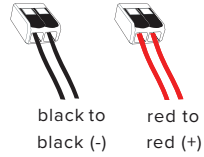


3

Make connections.

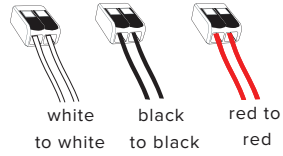


To Driver:

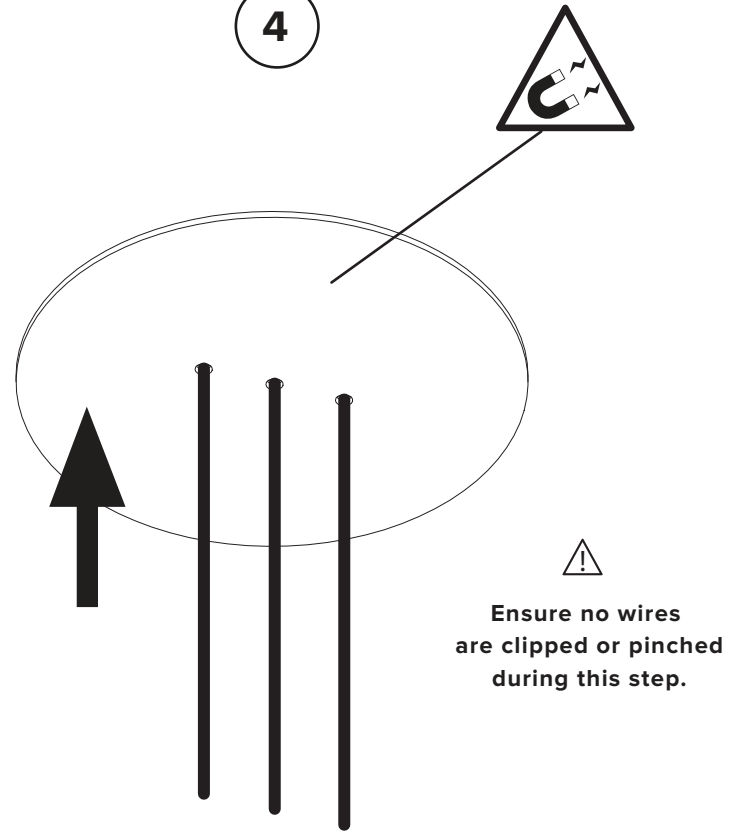


11mm

To luminaire:



4

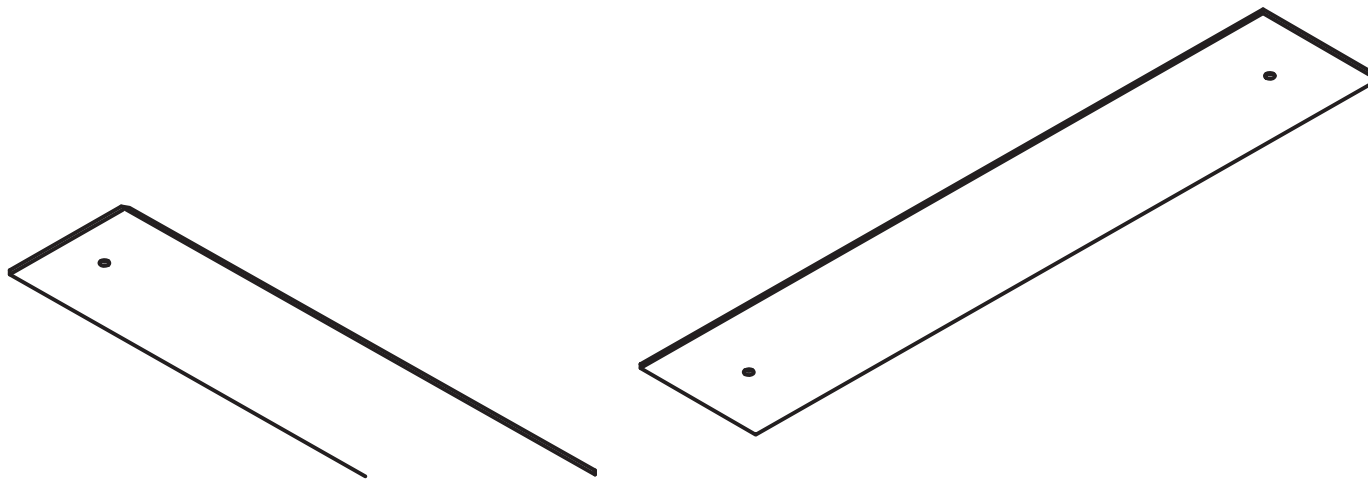
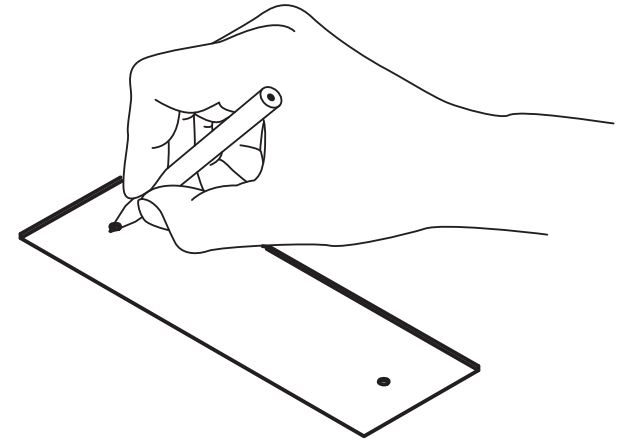
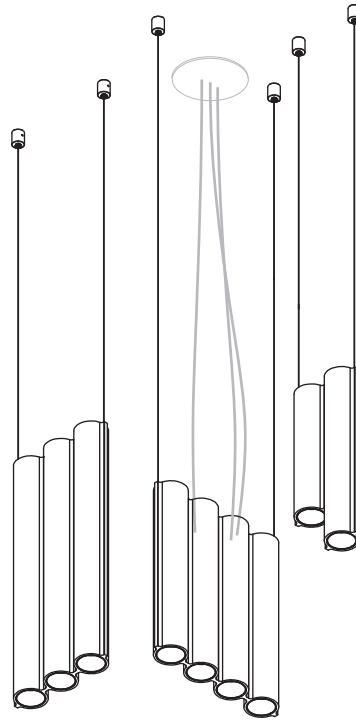


5

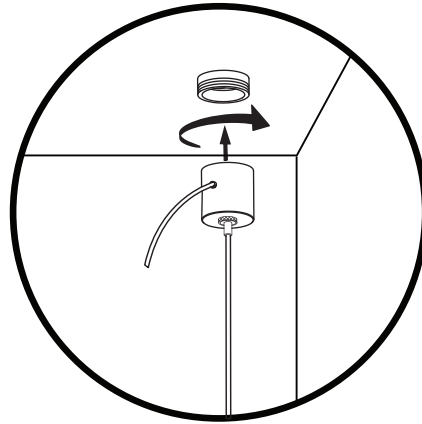
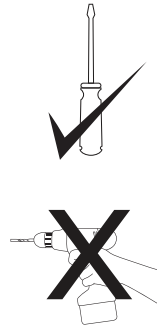
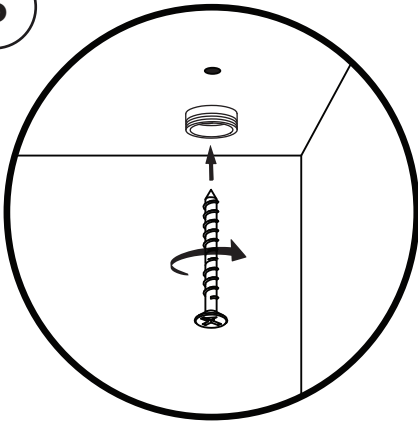
After the recessed canopy is installed, carefully replace the cover plate making sure no wires are clipped or pinched.

Use the templates provided at the end of the manual to position the luminaire and to mark your anchor locations.

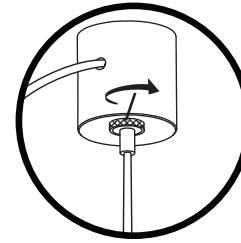
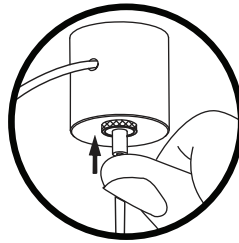
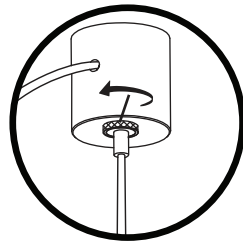
Note that the cord side of the luminaire should be positioned closest to the canopy.



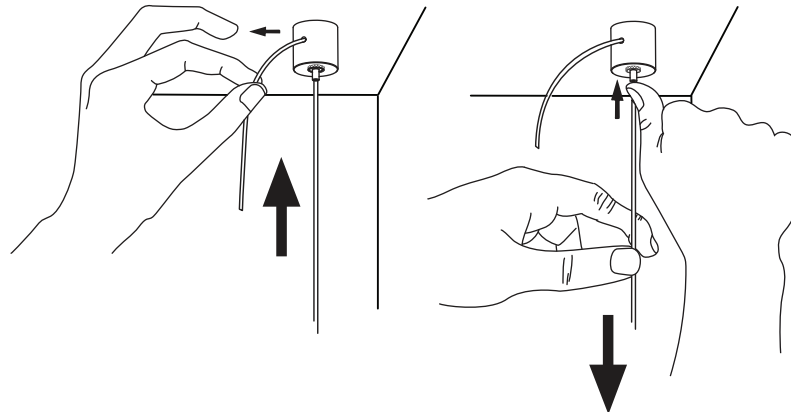
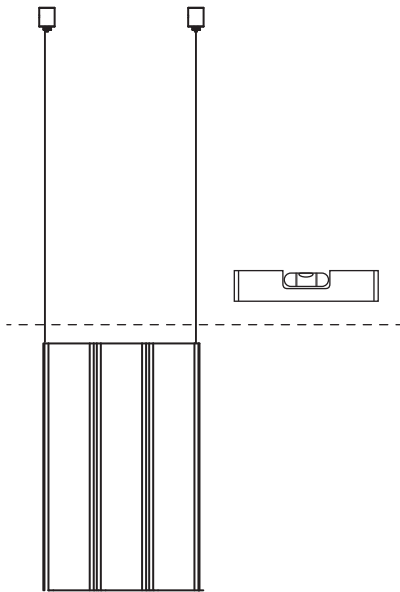
6



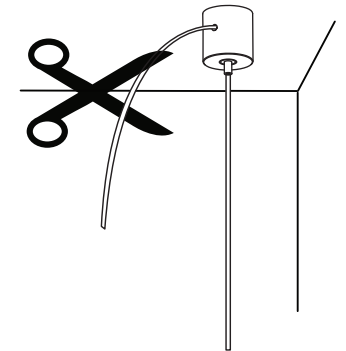
7



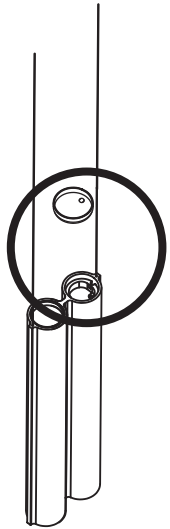
Losen lock, pass wire, make adjustments  
and retighten lock to secure cable.



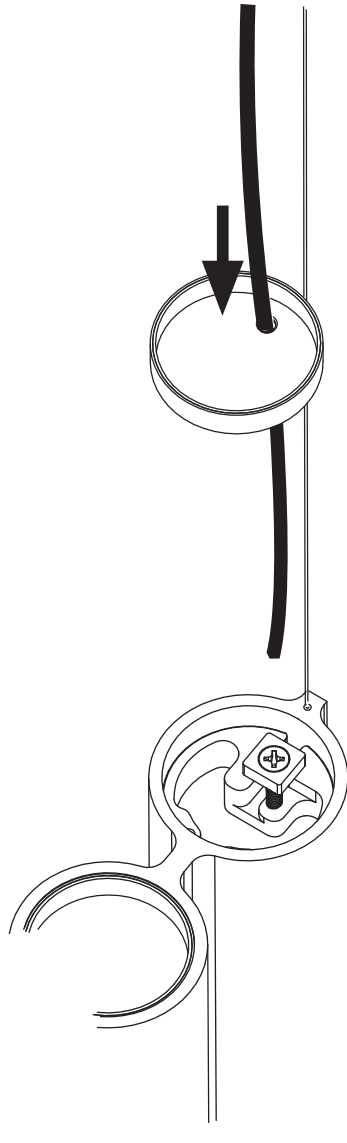
Cut stainless steel cables  
**ONLY** after installation is complete  
and luminaires are level.



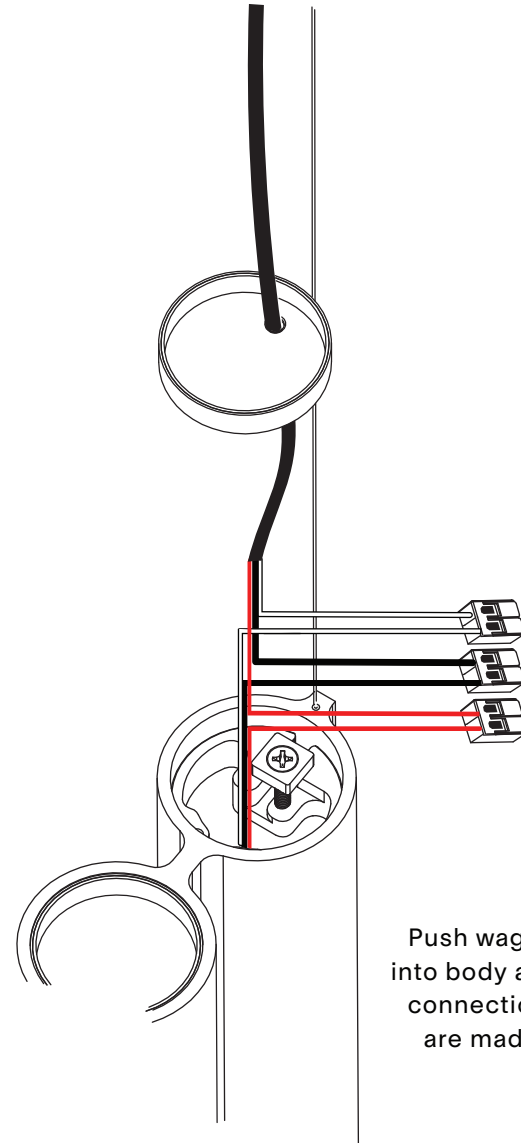
Choose canopy cords closest to luminaire.



8



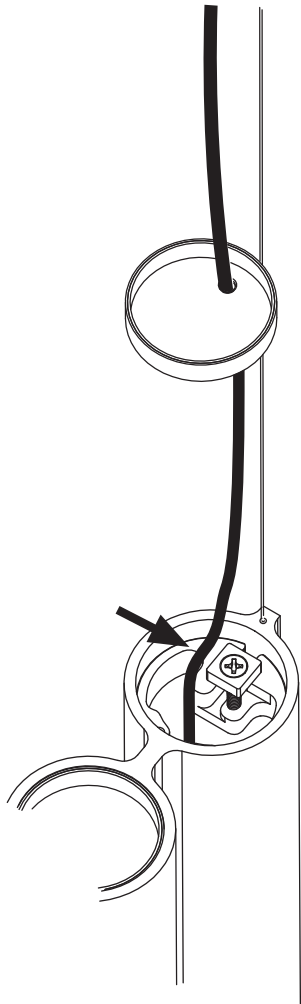
9



white to white  
black to black  
red to red

Push wagos into body after connections are made

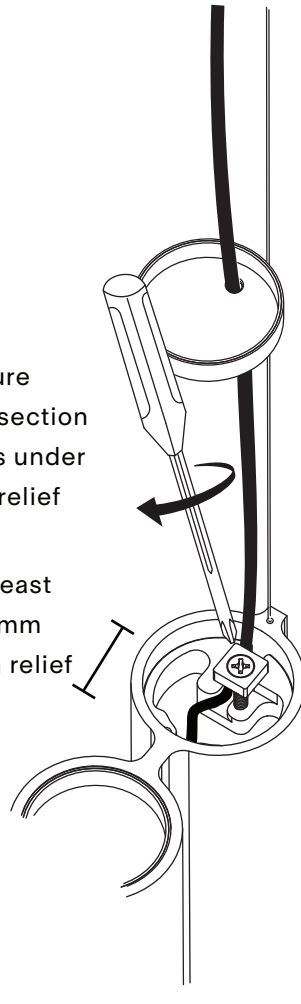
10



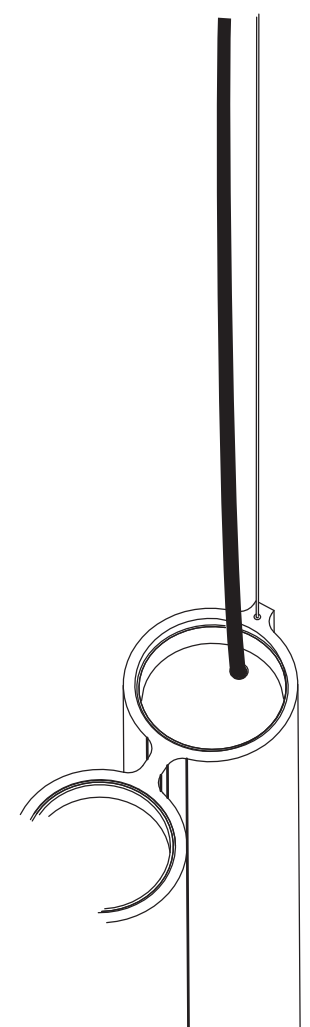
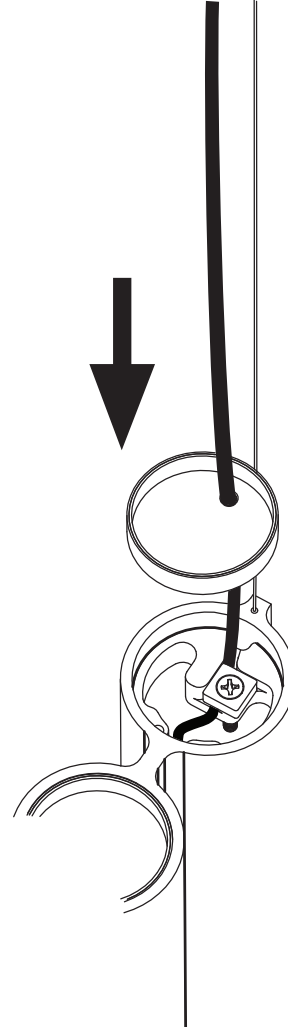
11

Make sure  
the sleeved section  
of the wire is under  
the strain relief

leave at least  
1/4" / 7mm  
after strain relief

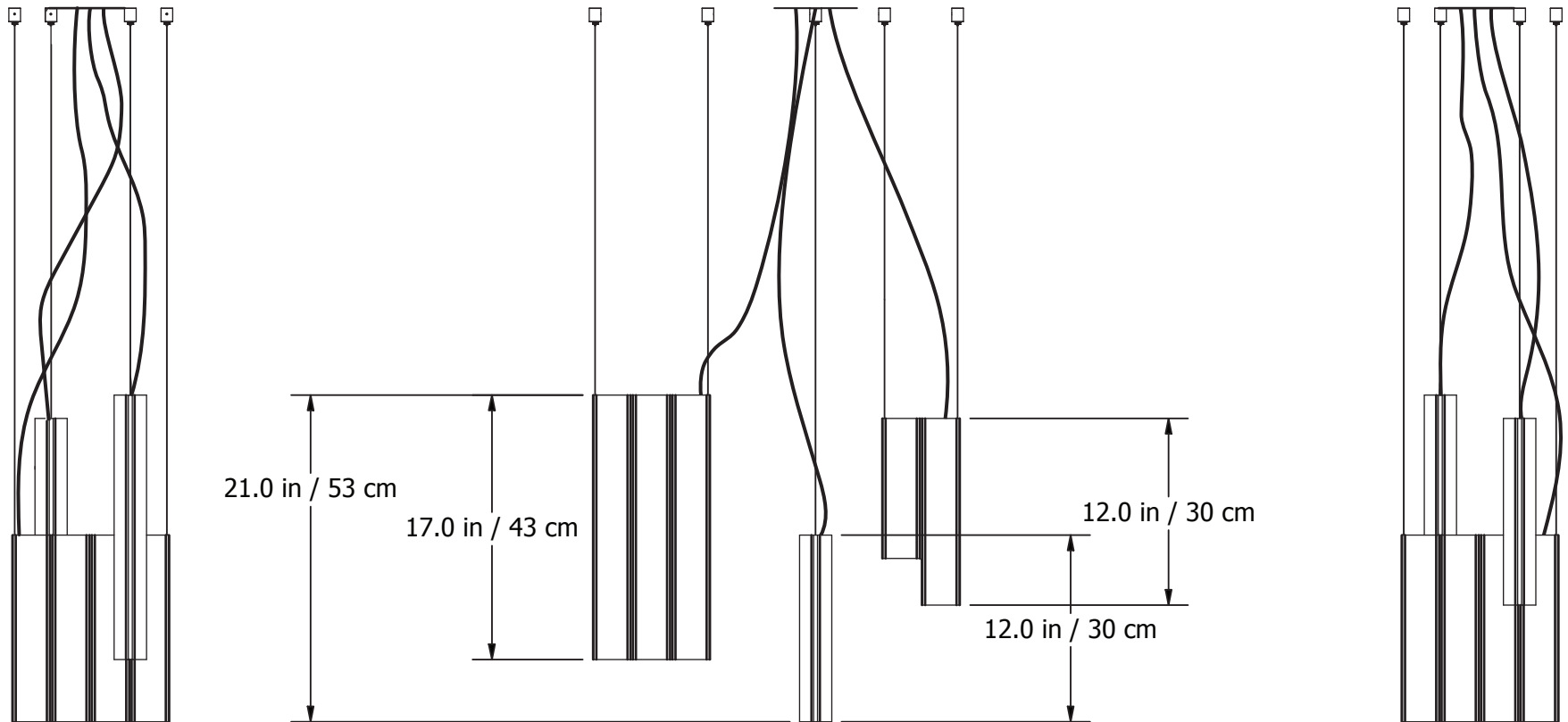
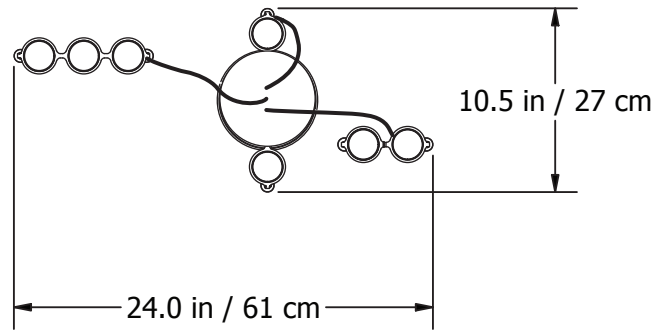


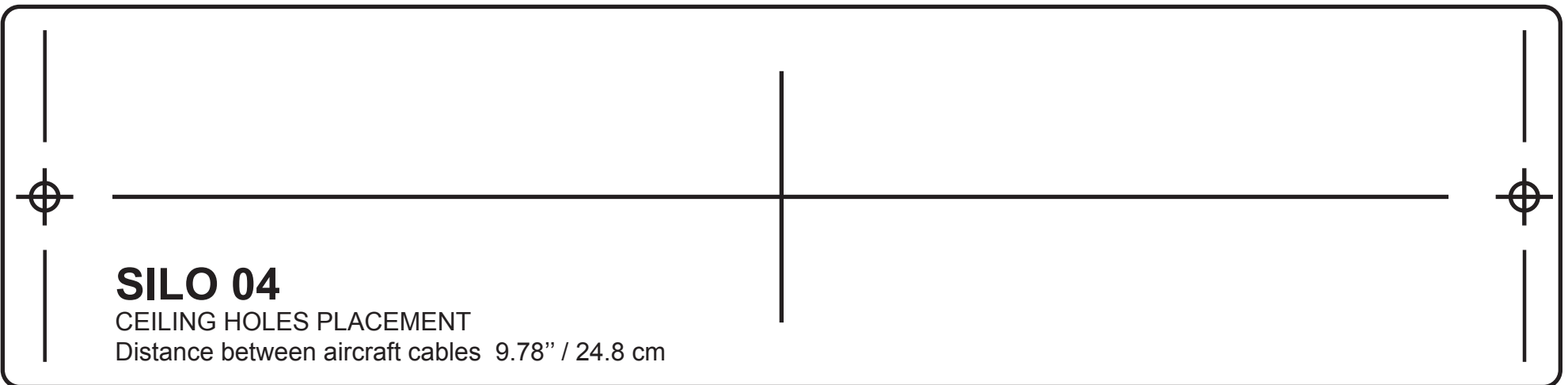
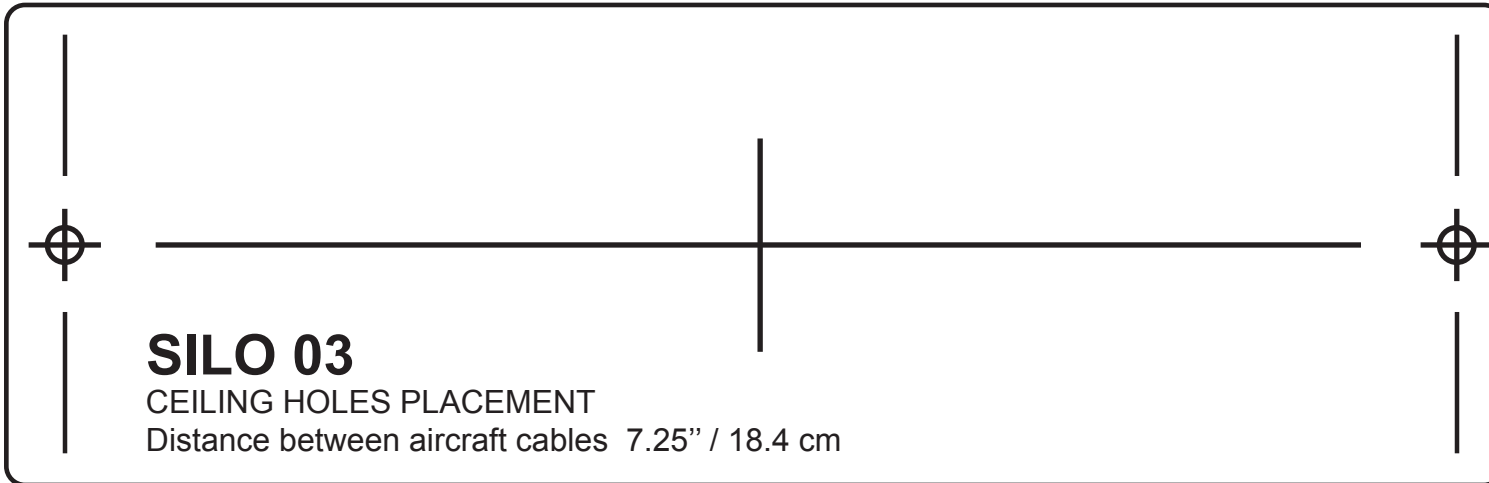
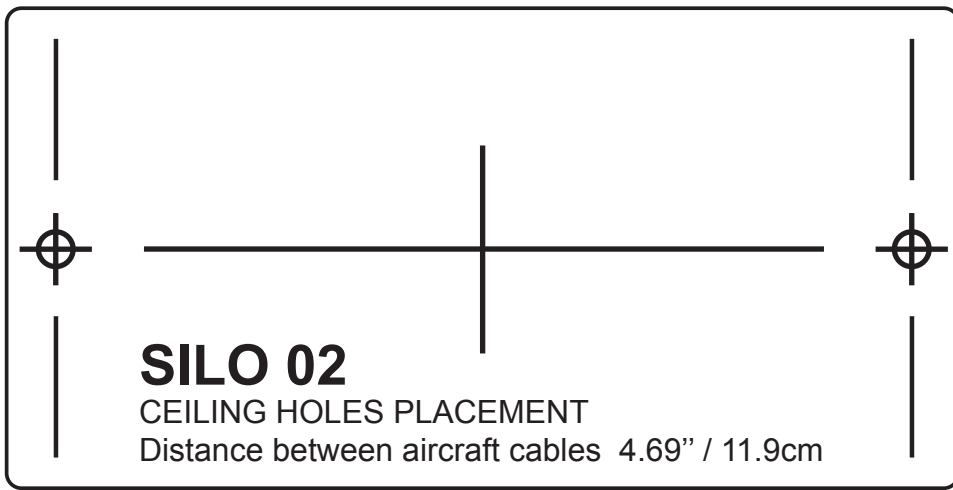
12





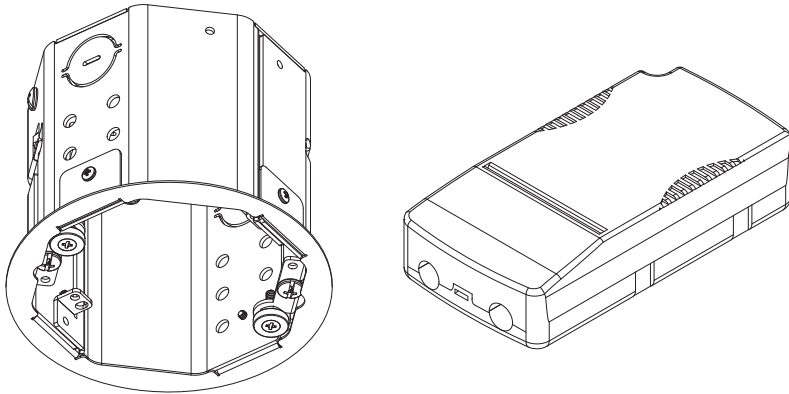
## Recommended installation plan





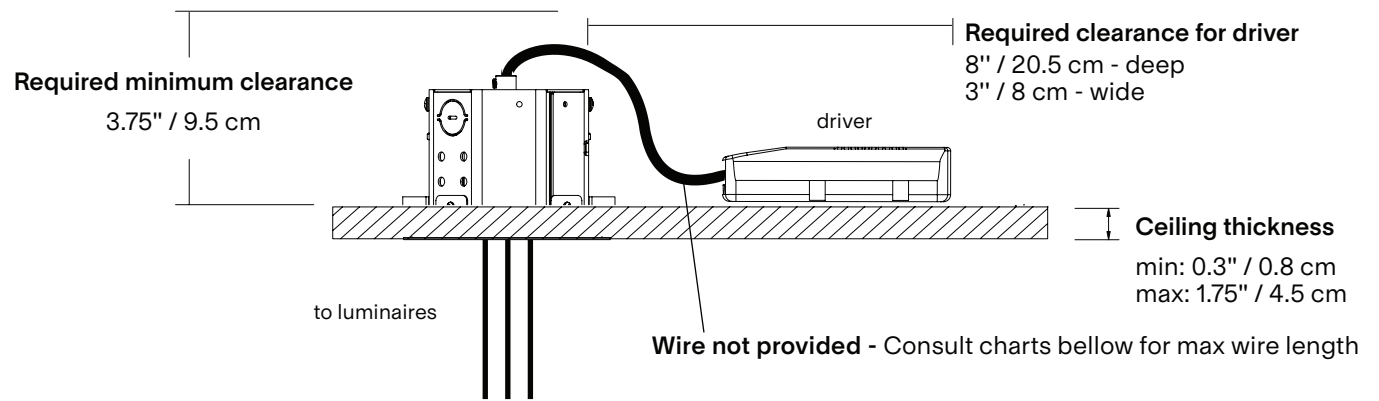
# RECESSED CANOPY INSTALLATION

## Octobox with independent driver



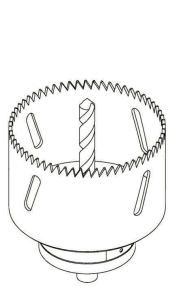
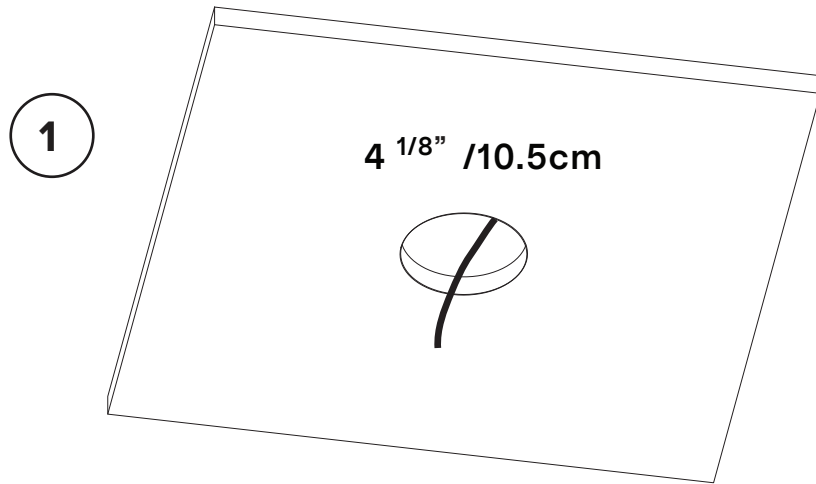
- Please read entire manual before beginning installation
- To be installed by an electrician
- Use appropriate screws where necessary
- For non-insulated hollow ceiling
- Wires for plenum not provided

**For remote driver installation**  
**Consult chart below for max wire length.**

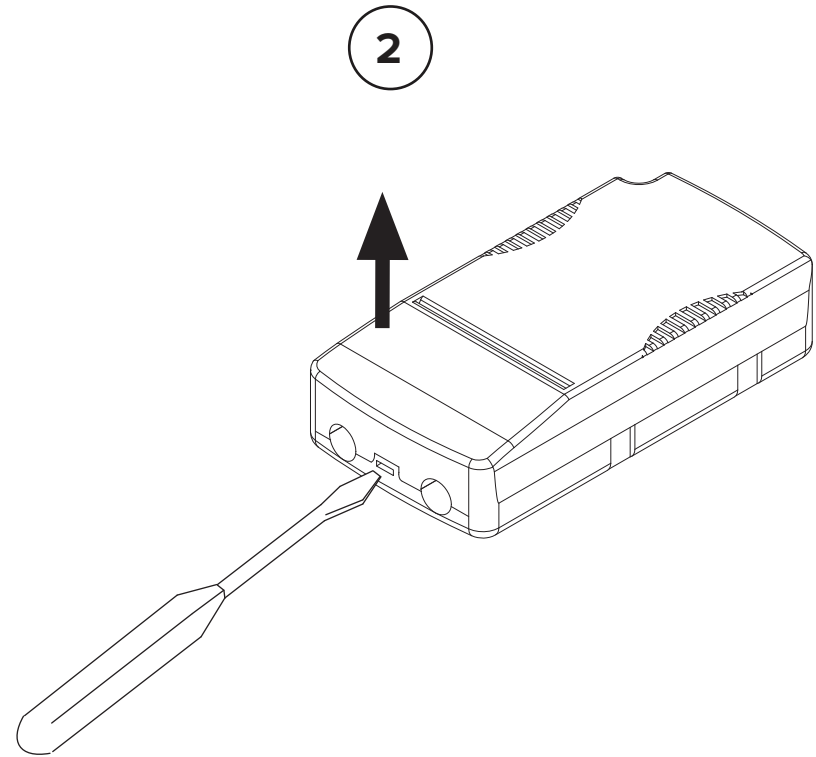
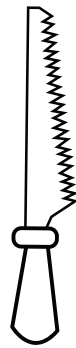


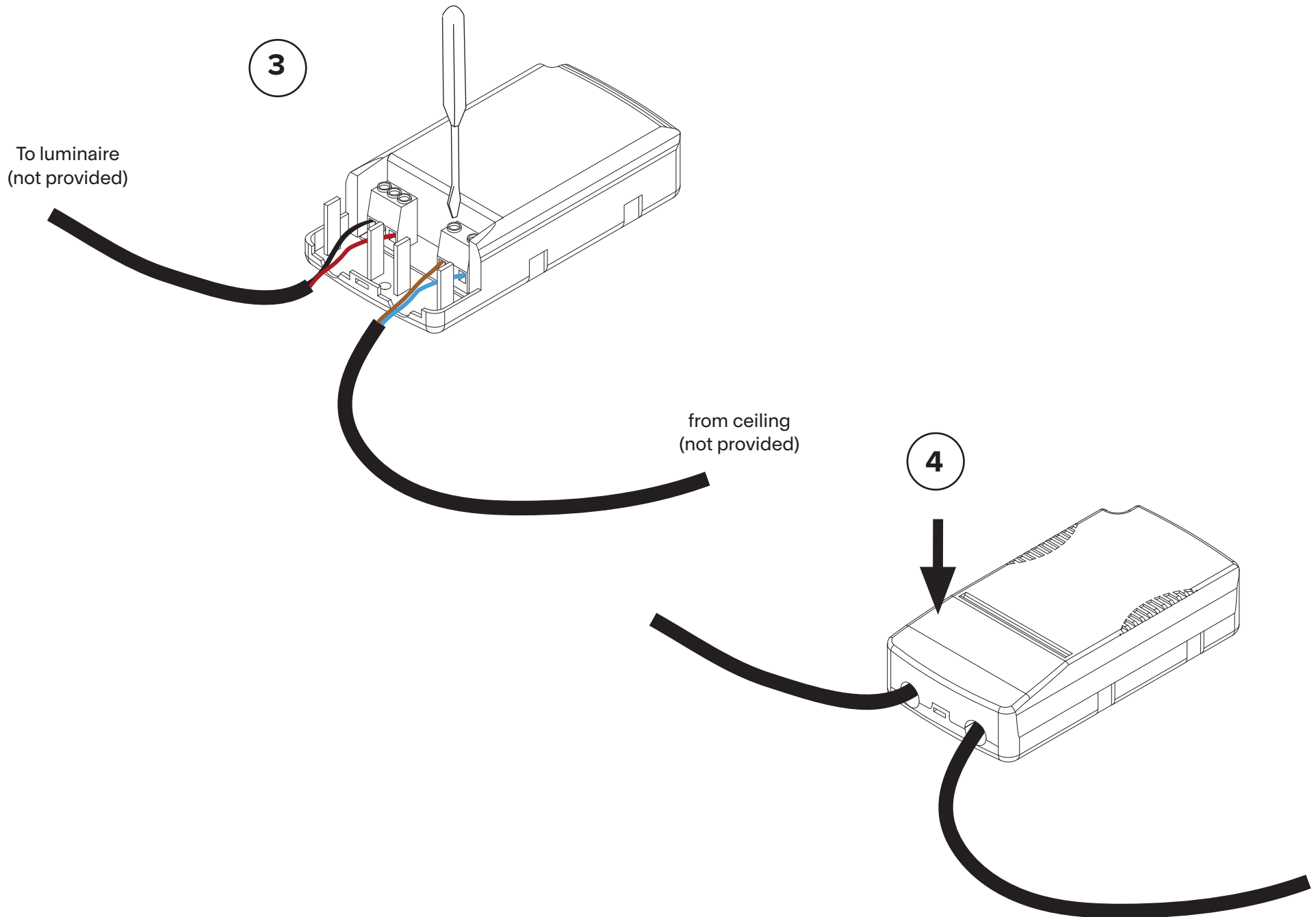
Distance between lamp and driver.

Wire gauge	Max Distance
18AWG	34.4 ft / 10.5m
16AWG	54.7 ft / 16.7m
14AWG	86.9 ft / 26.5m
12AWG	138.2 ft / 42.1m



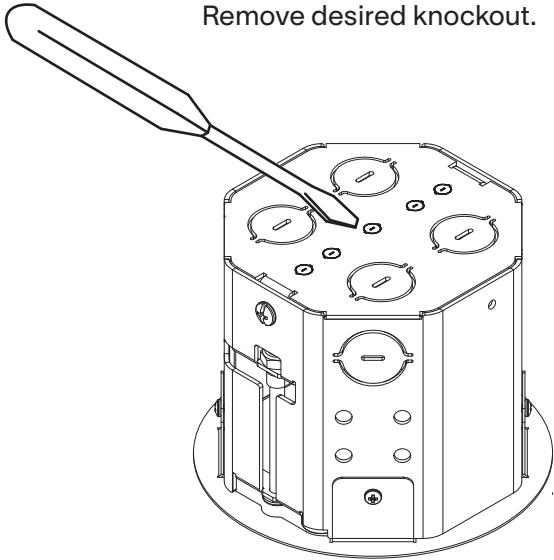
or





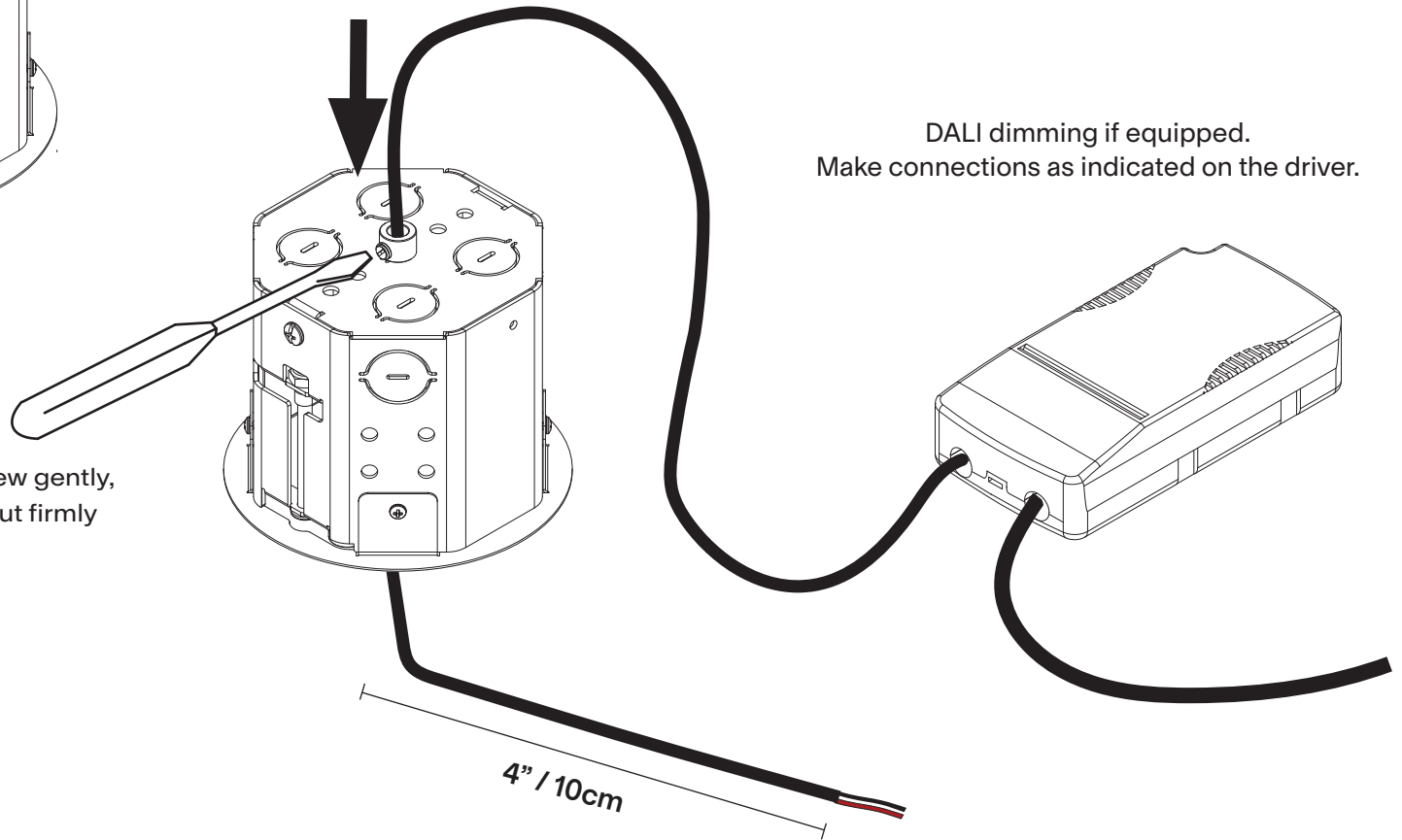
5

Remove desired knockout.



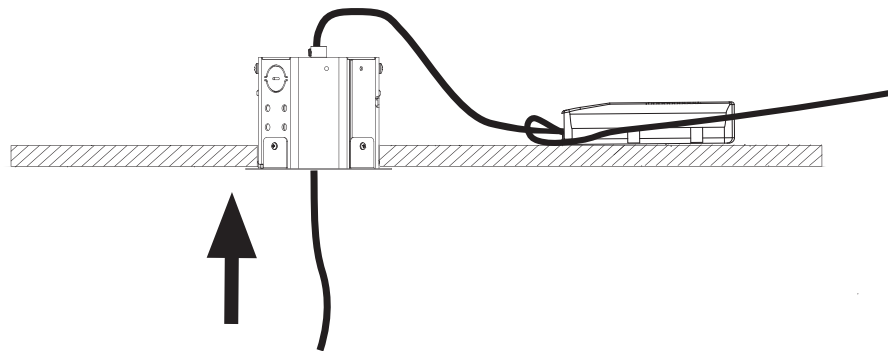
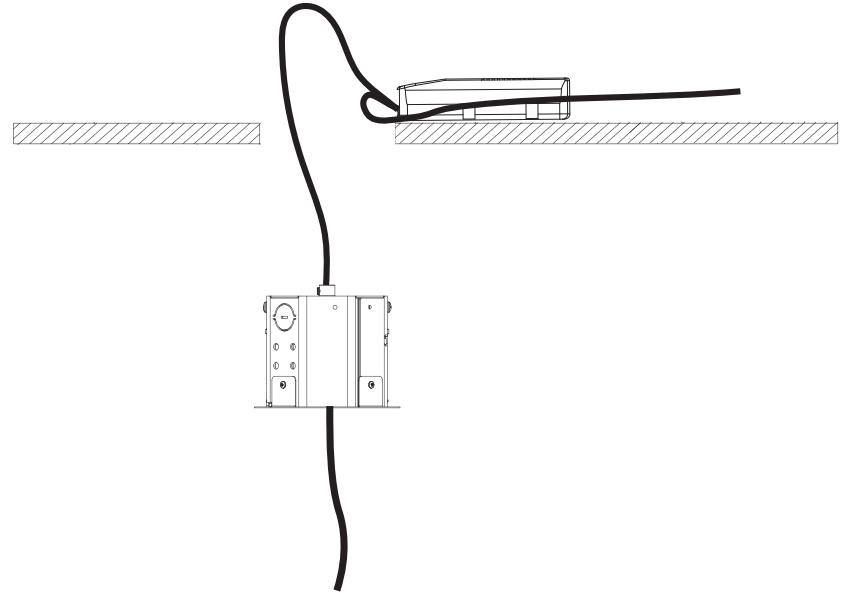
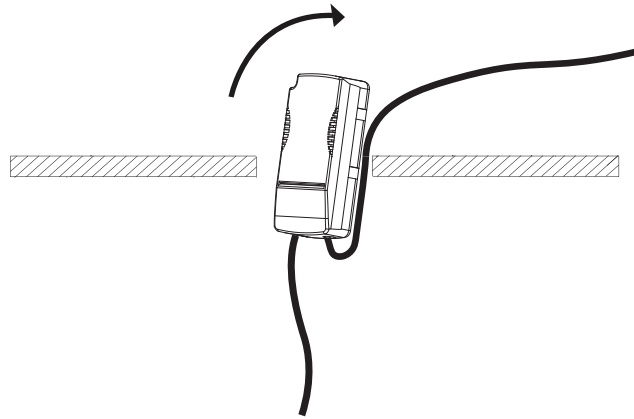
Use appropriate strain relief (not provided) depending on your wire gauge.

Screw gently, but firmly



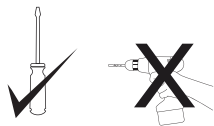
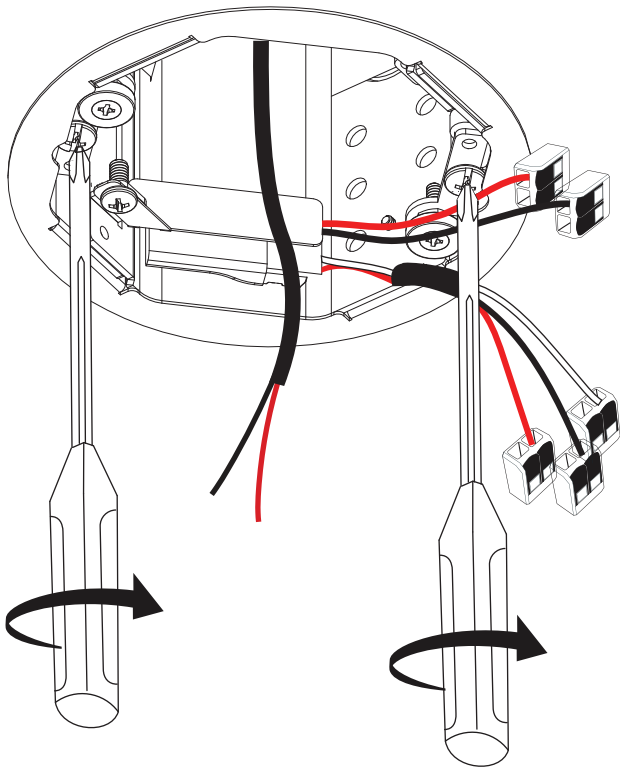
DALI dimming if equipped.  
Make connections as indicated on the driver.

6

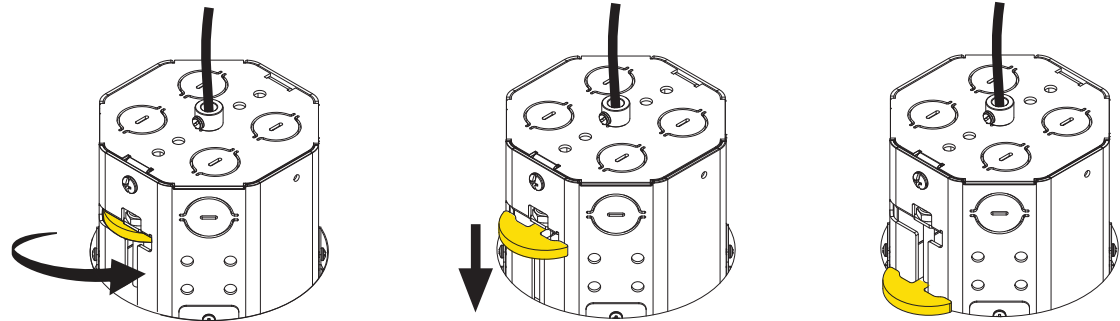


7

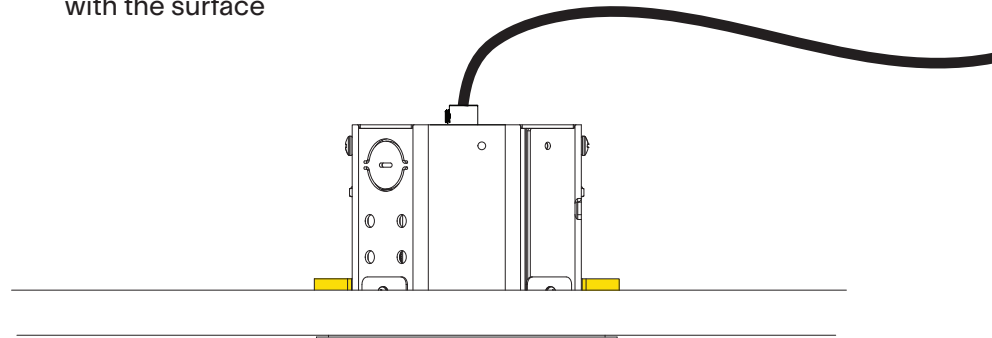
View from below



View from above



Stop when arms make contact with the surface



8

The recessed canopy is now installed, return to luminaire installation steps and follow the instructions (page 3).