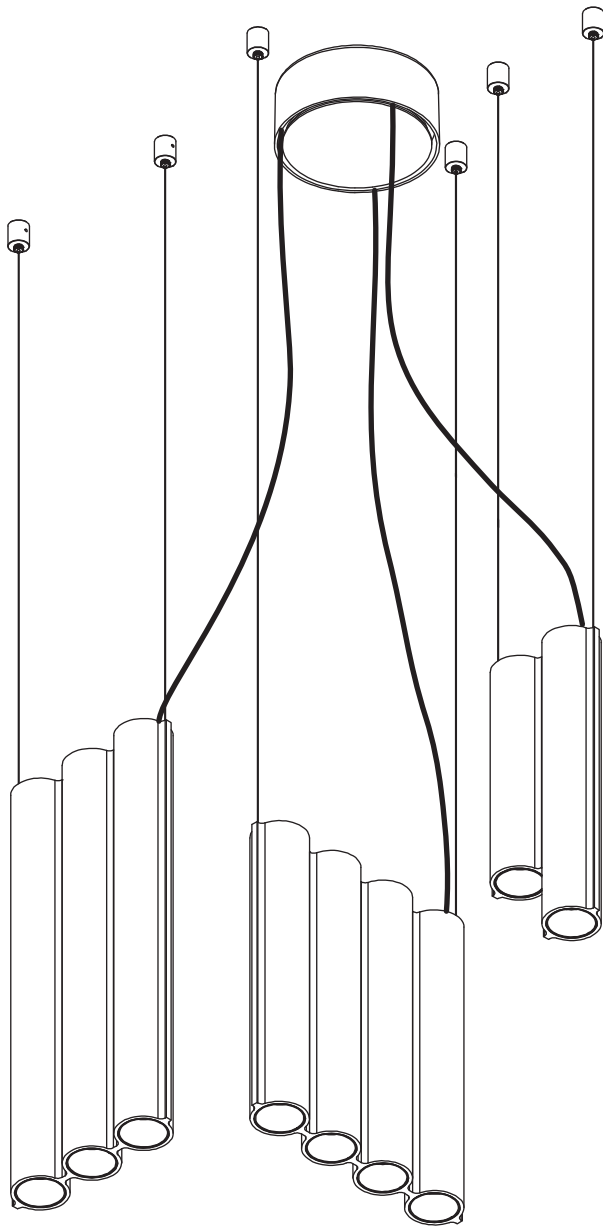
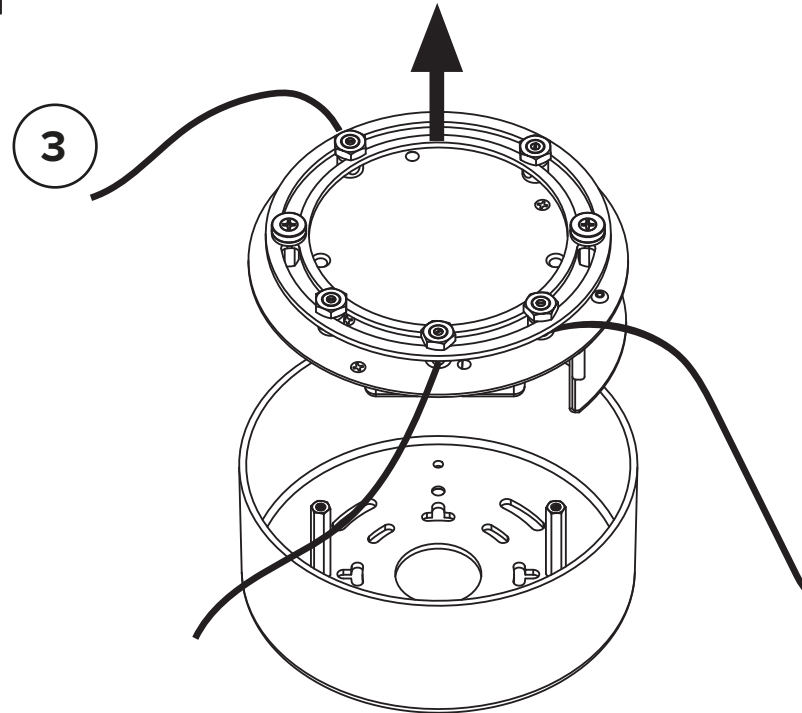
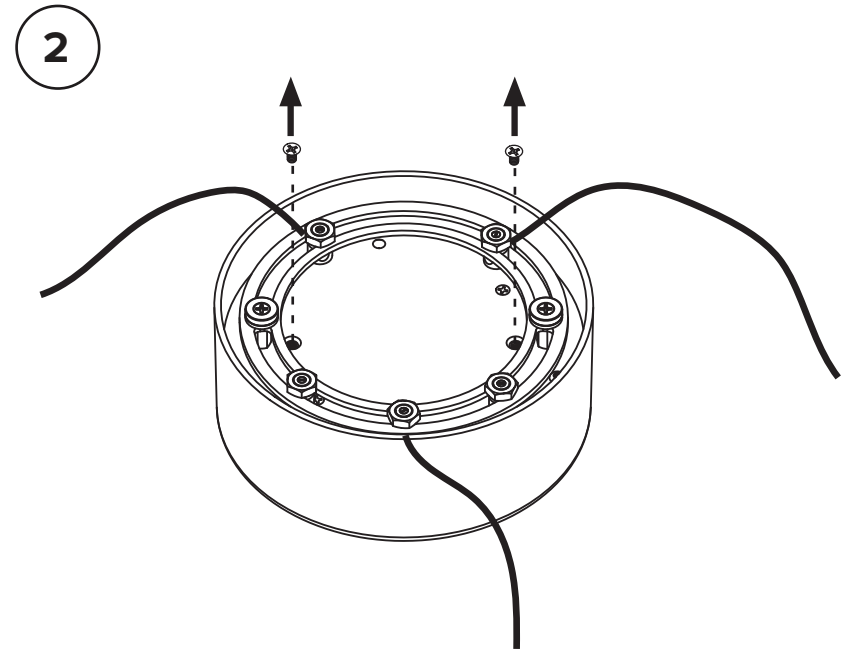
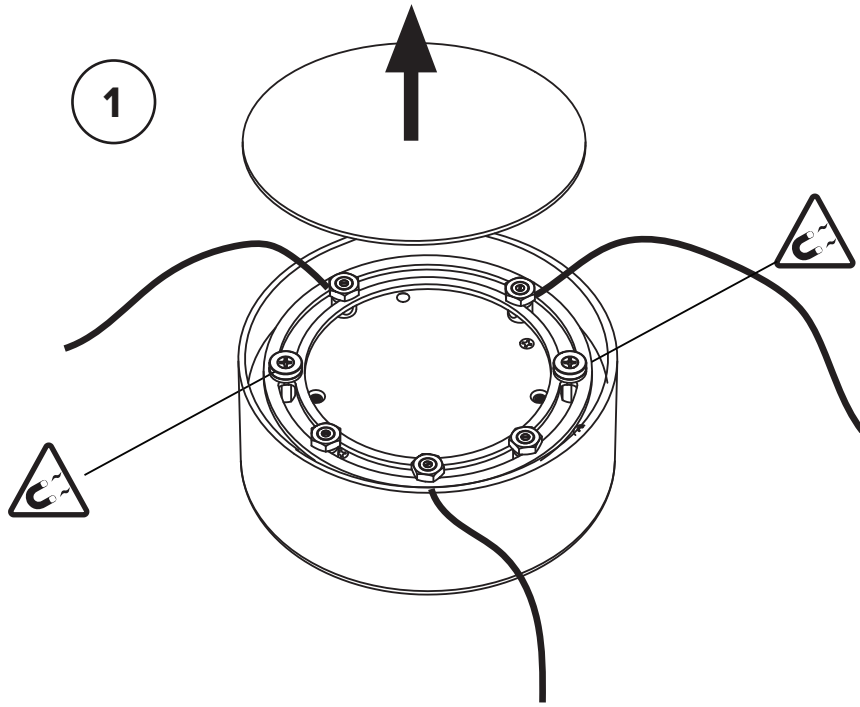


## SILO 12

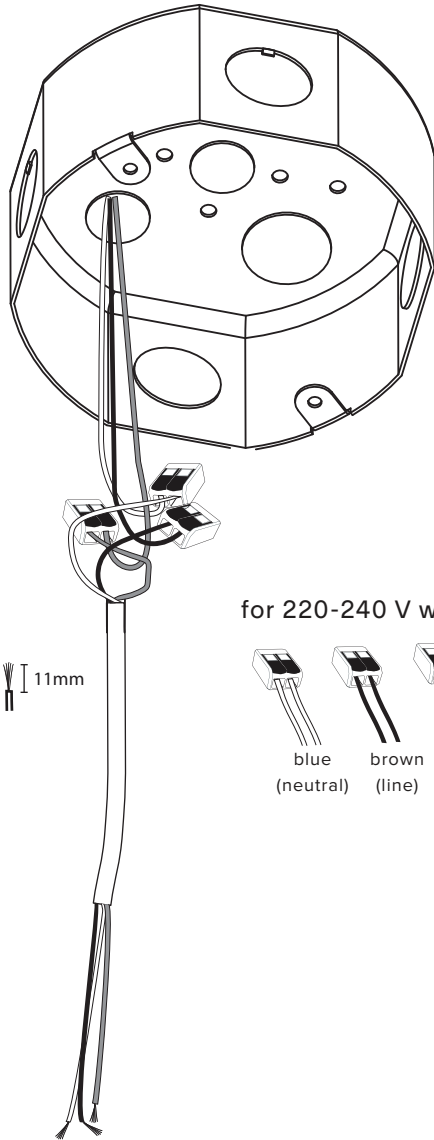


- Please read entire manual before beginning installation
- To be installed by an electrician to an electrical box
- Use appropriate screws where necessary
- Wear enclosed gloves when handling lamp
- Handle materials with care. Please consult lamp maintenance sheet on our web site

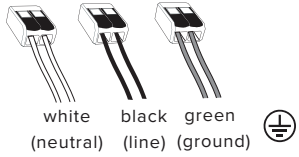


4

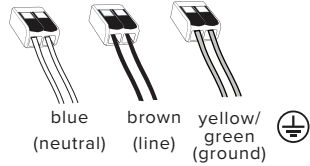
If provided, connect the extension harness to the junction box.



for 120 V wiring

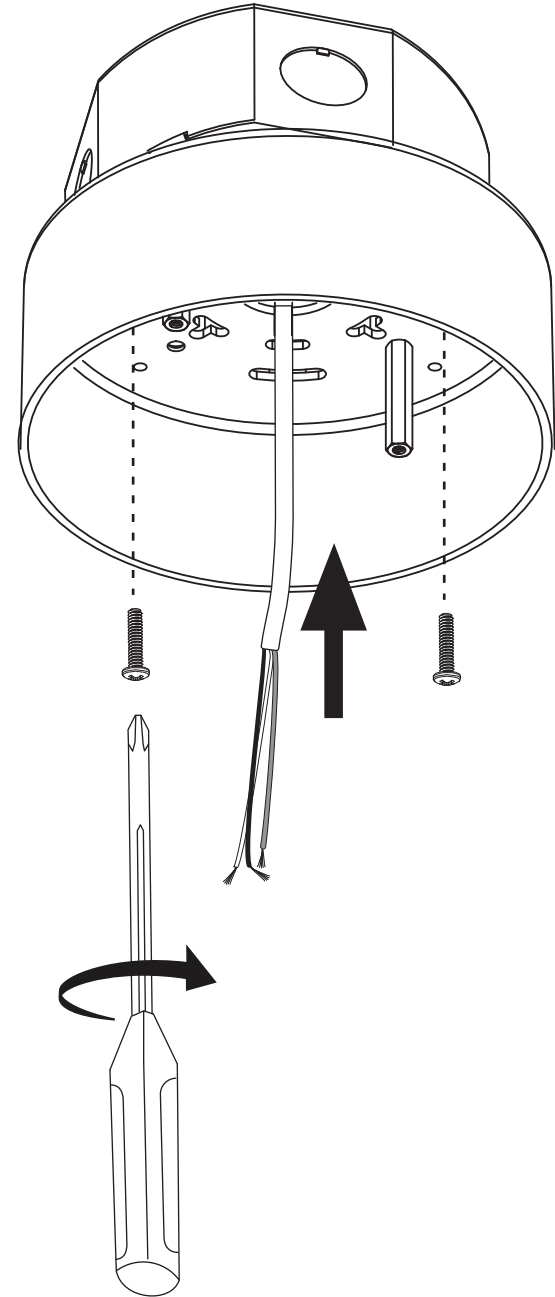


for 220-240 V wiring

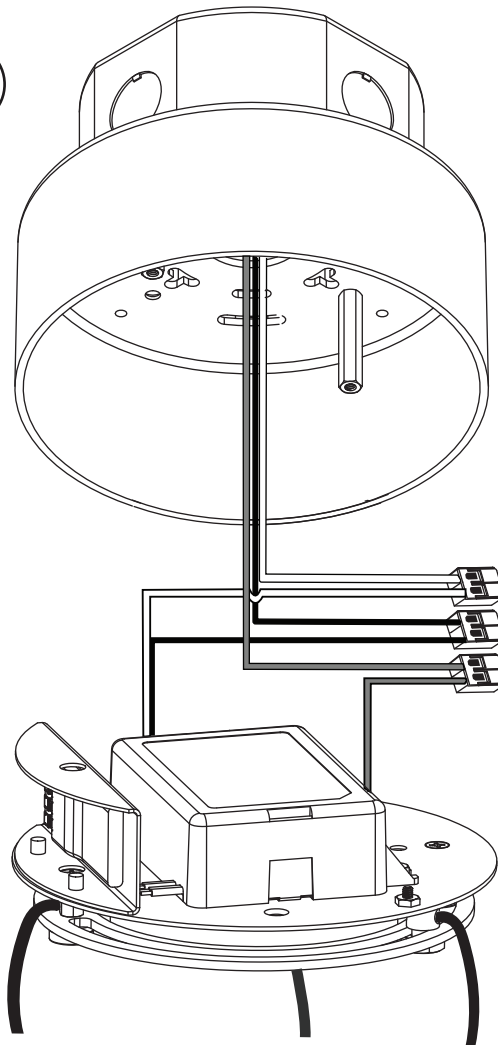


11mm

5

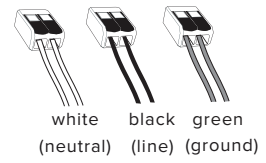


6

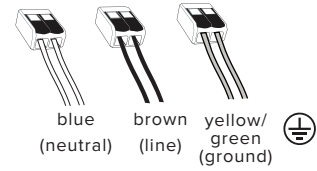


Neutral  
Line  
Ground ⊕

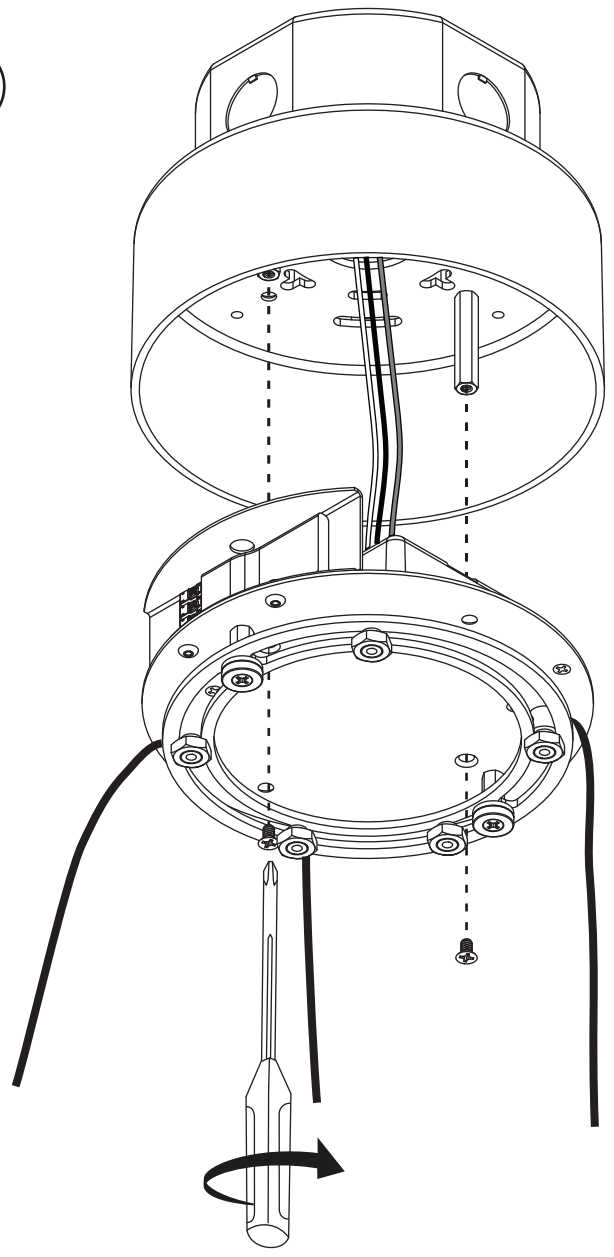
for 120 V wiring



for 220-240 V wiring

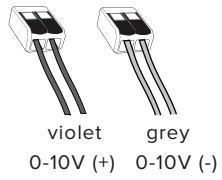


7

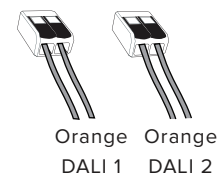


Dimming wiring  
(if equipped)  
If not using, cap  
wires individually.

0-10V Dimming (if equipped)



DALI Dimming (If equipped)

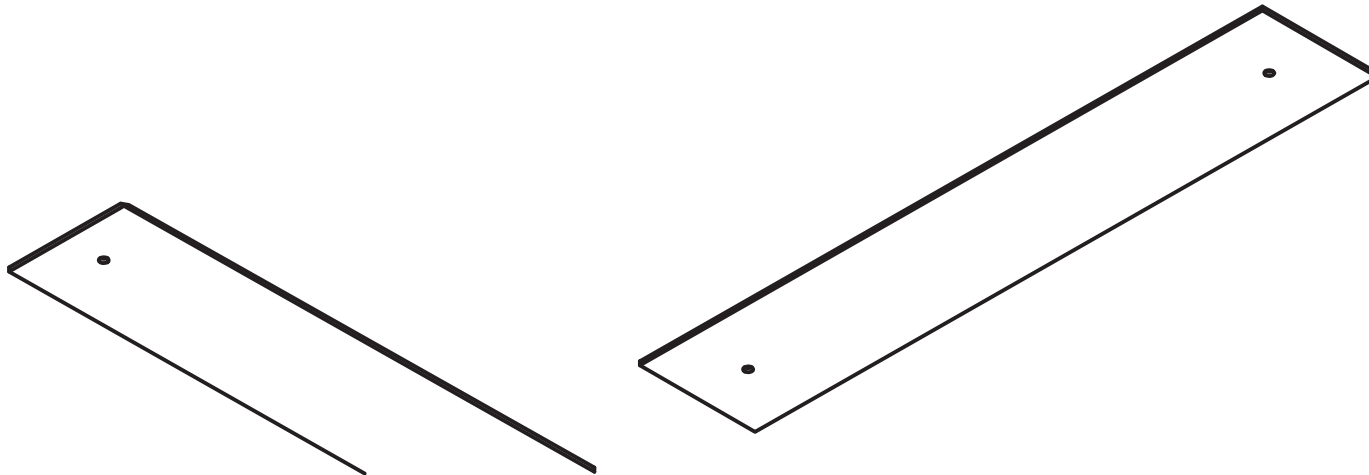
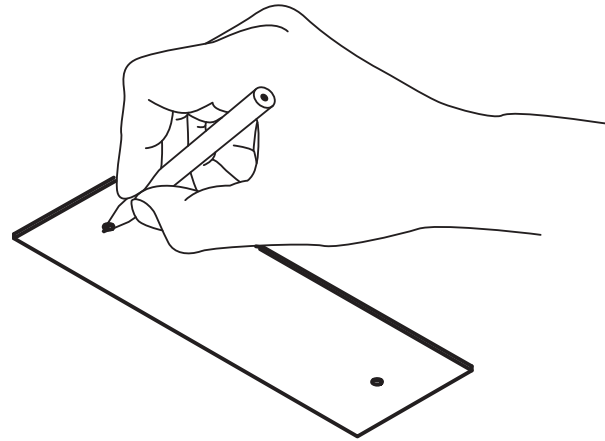
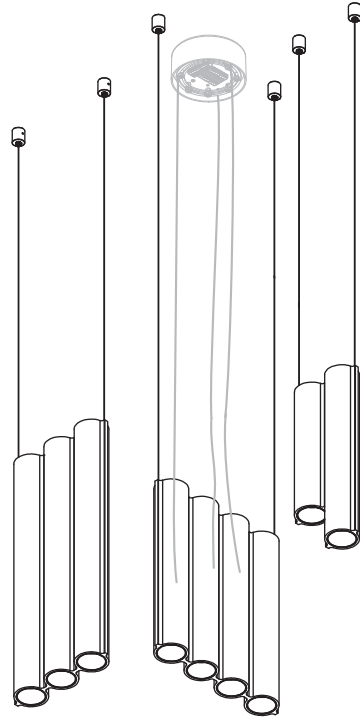


8

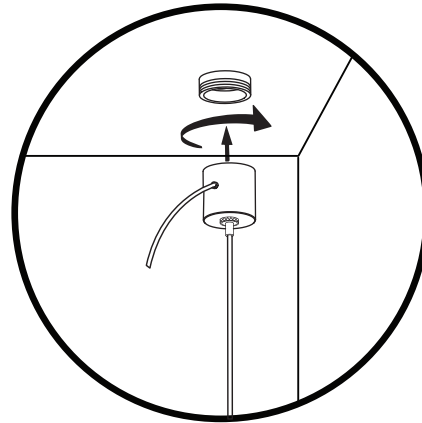
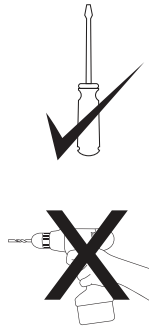
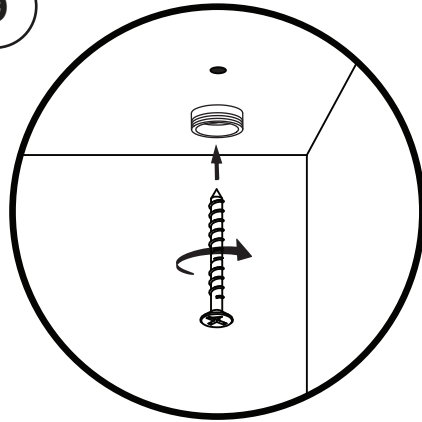
Choose your luminaire's position.

Use the templates provided at the end of the manual to position the luminaires and to mark your anchor locations.

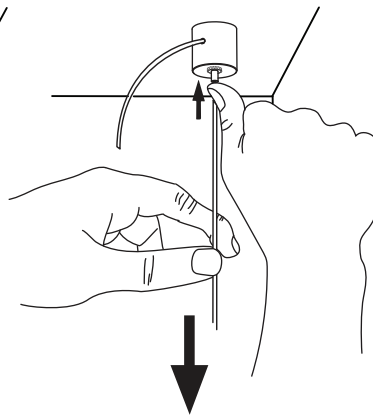
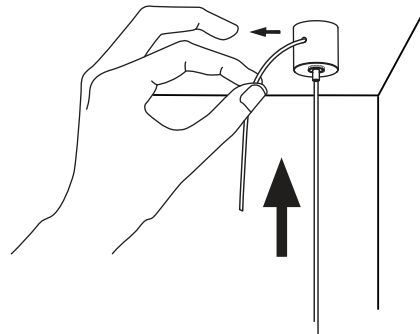
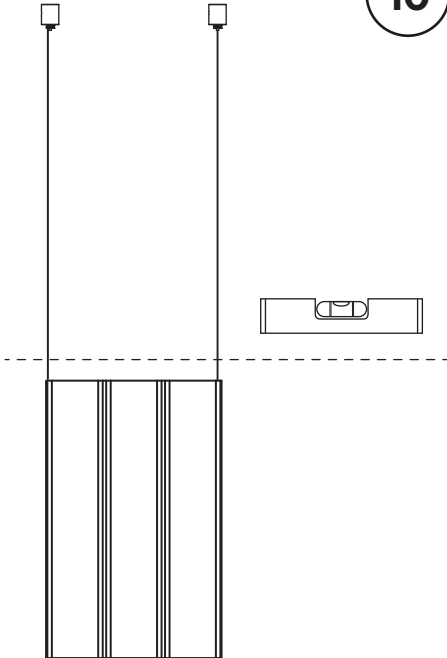
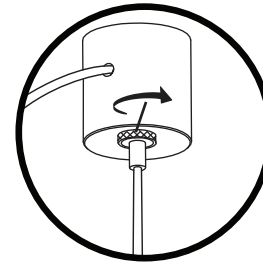
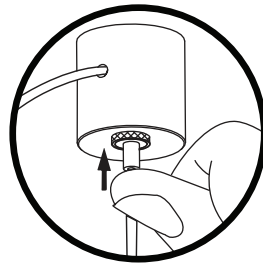
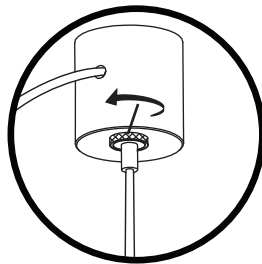
Note that the cord side of the luminaire should be positioned closest to the canopy.



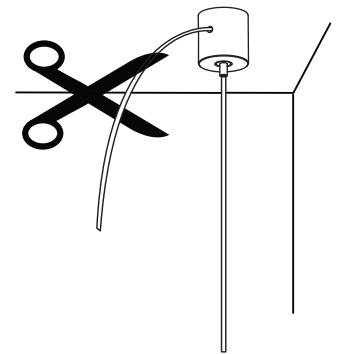
9



10

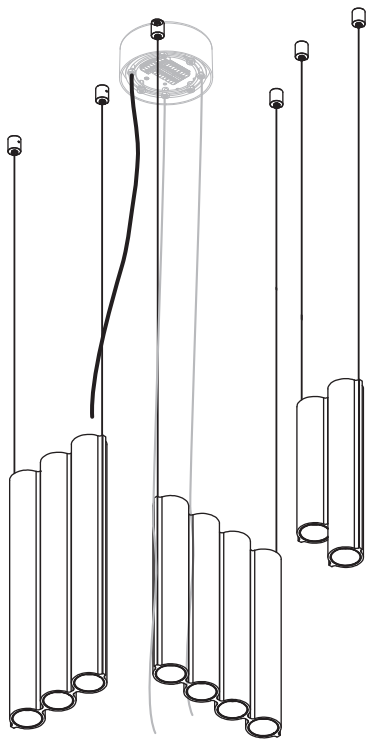


Cut cables **ONLY** after installation is complete and luminaires are level.



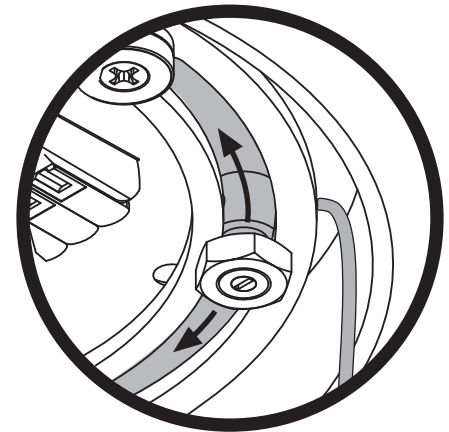
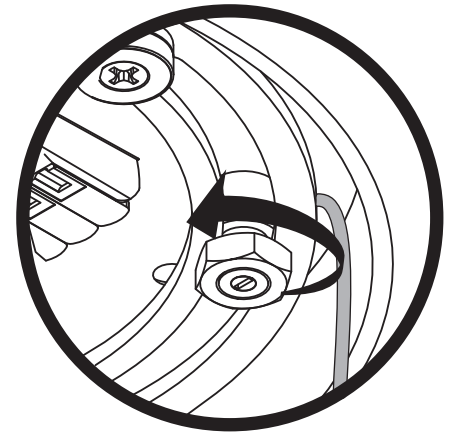
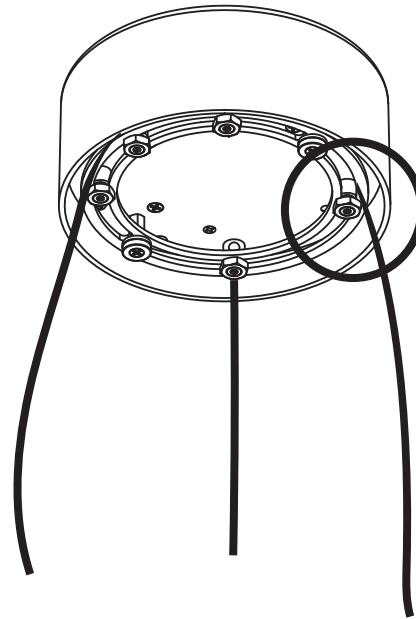
11

Choose canopy cord set closest to luminaire before adjusting cord length.

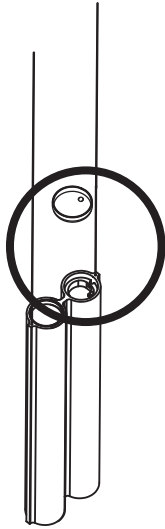


If cord location within the canopy needs to be repositioned:

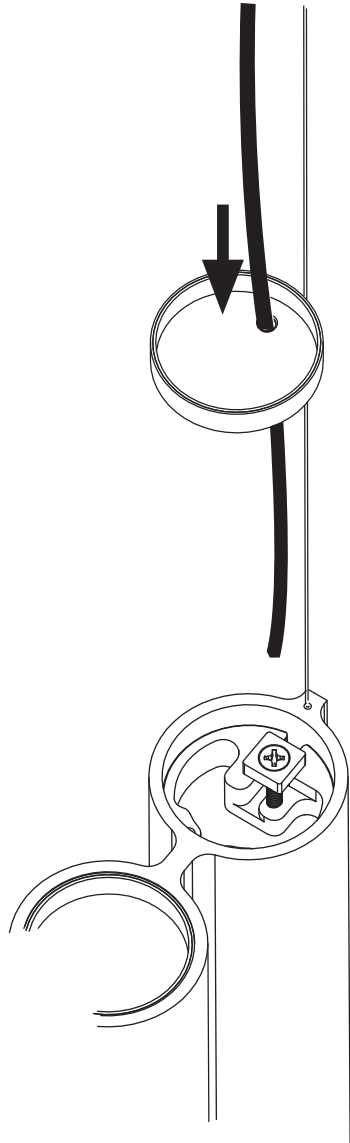
- hold the cable and gently loosen hex nut
- move wire along slot
- hold cable and gently retighten hex nut, do not put unnecessary pressure.



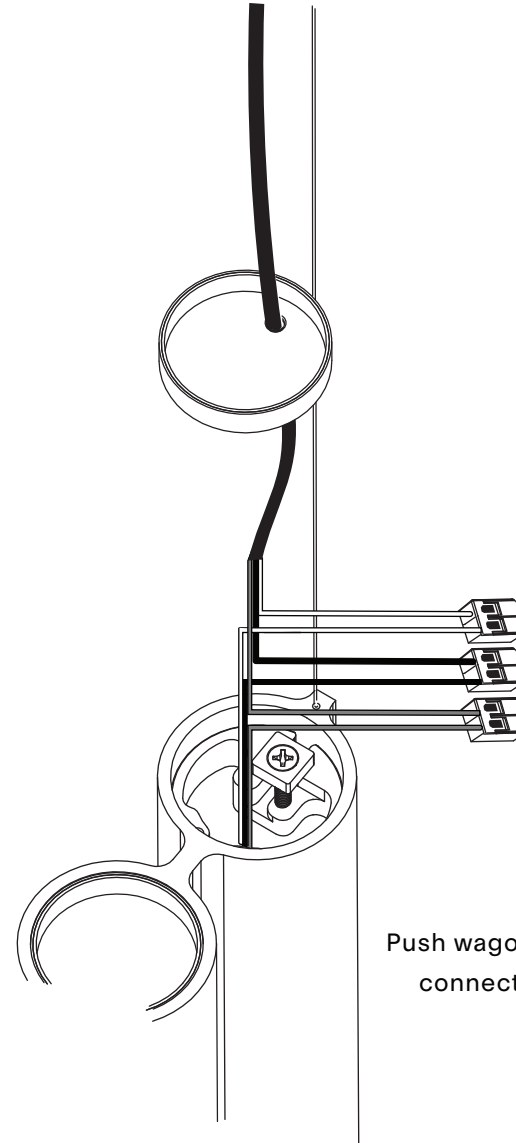
Determine desired cord length.



12



13

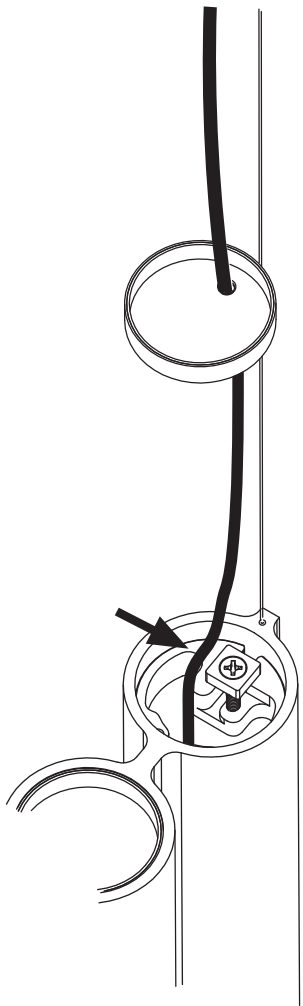


white to white  
black to black  
red to red

Push wagos into body after  
connections are made



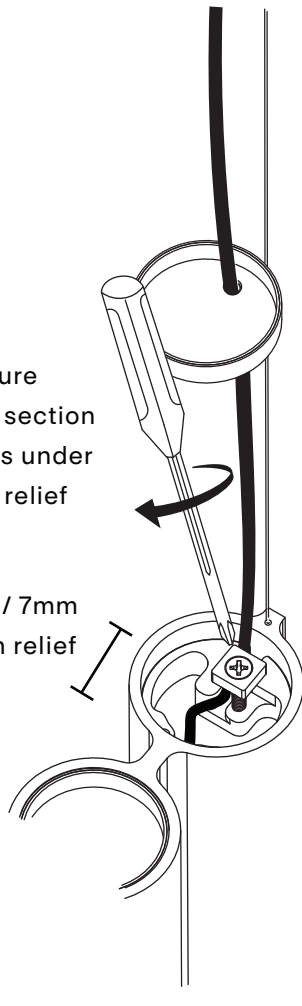
14



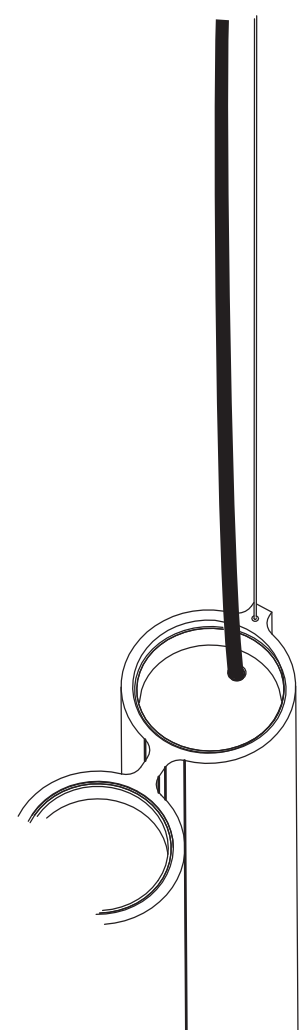
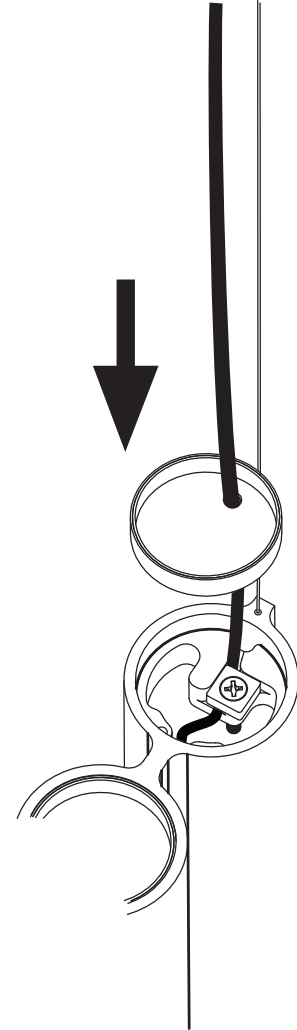
15

Make sure  
the sleeved section  
of the wire is under  
the strain relief

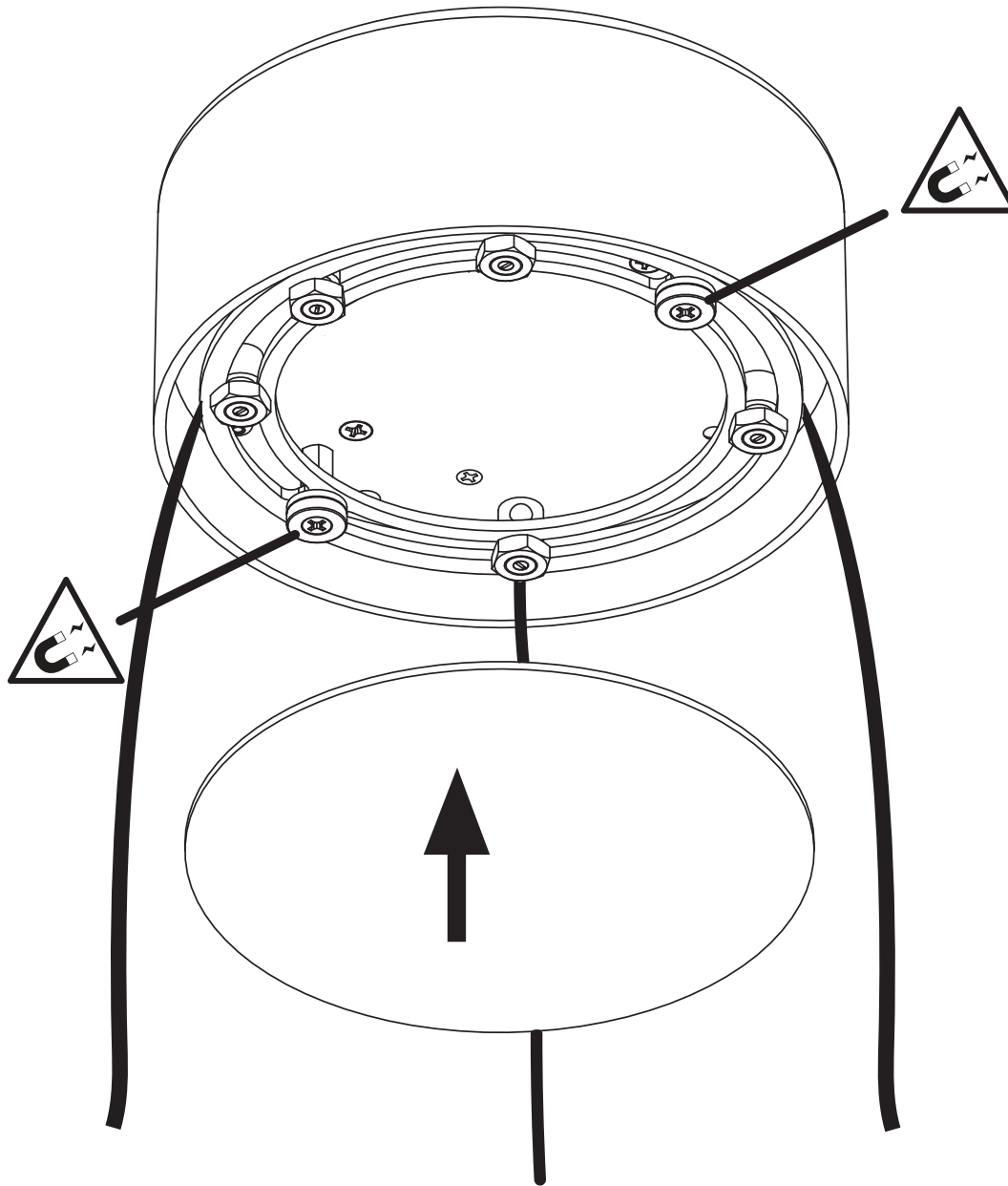
leave 1/4" / 7mm  
after strain relief



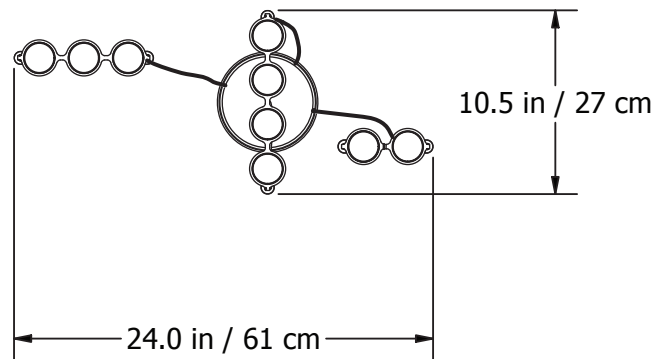
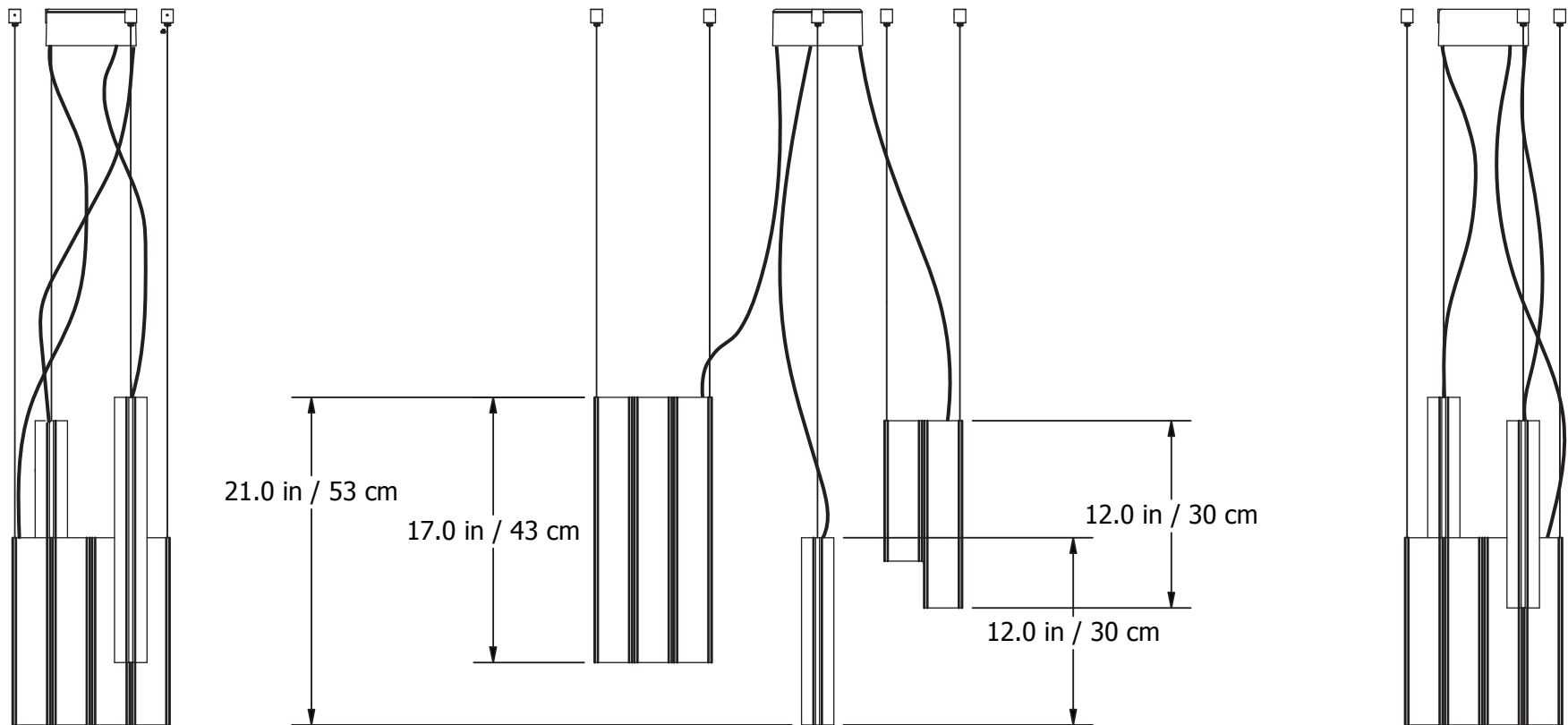
16

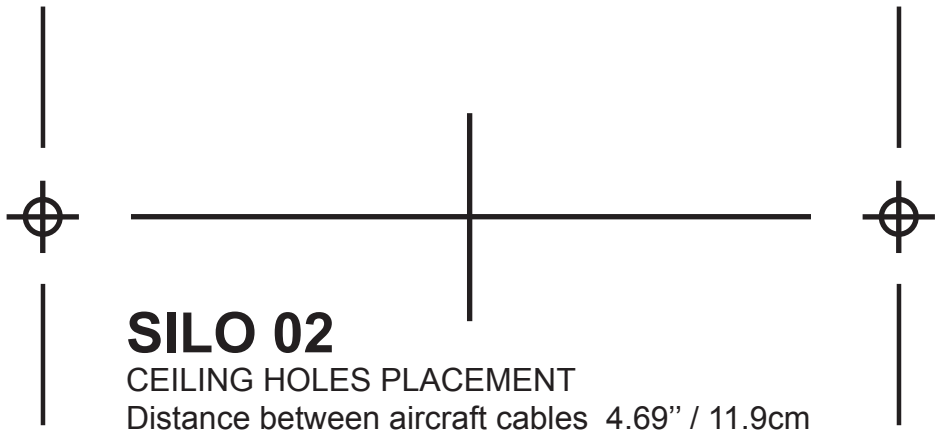


17



# Recommended installation plan

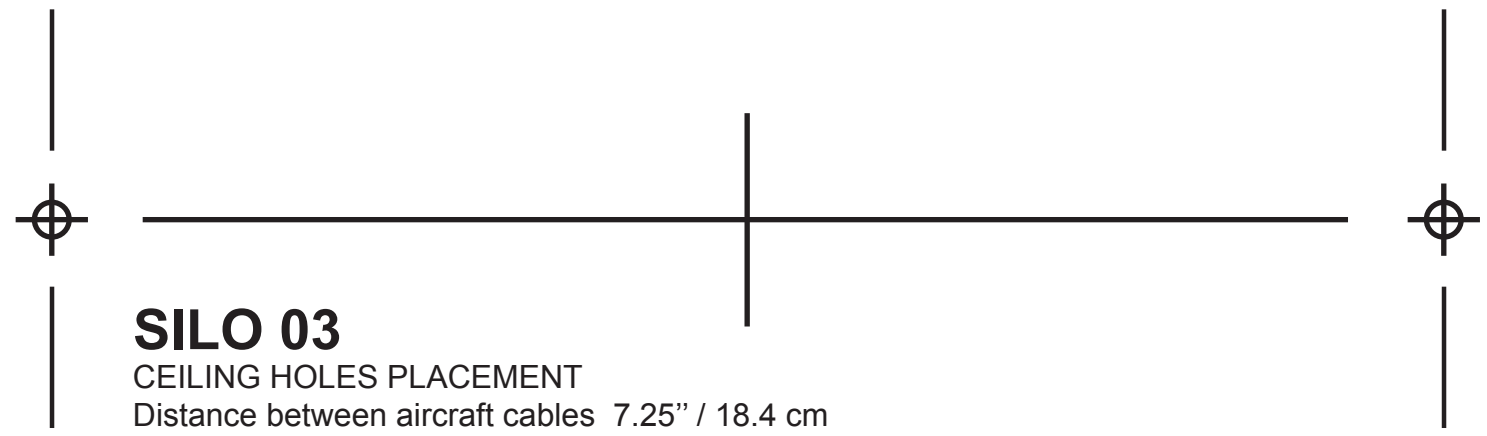




**SILO 02**

CEILING HOLES PLACEMENT

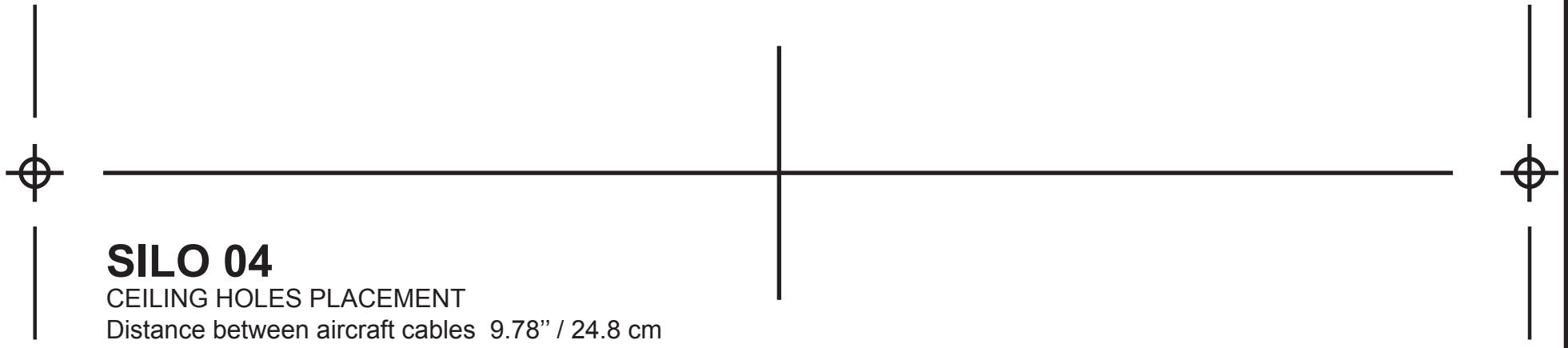
Distance between aircraft cables 4.69" / 11.9cm



**SILO 03**

CEILING HOLES PLACEMENT

Distance between aircraft cables 7.25" / 18.4 cm



**SILO 04**

CEILING HOLES PLACEMENT

Distance between aircraft cables 9.78" / 24.8 cm