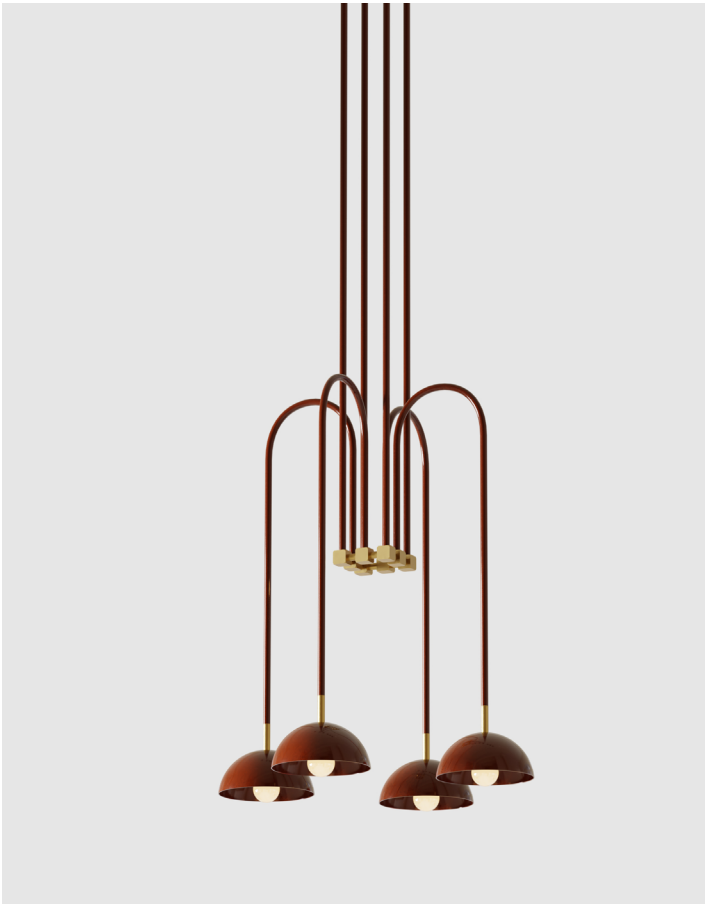







BEAUBIEN ATELIER 03

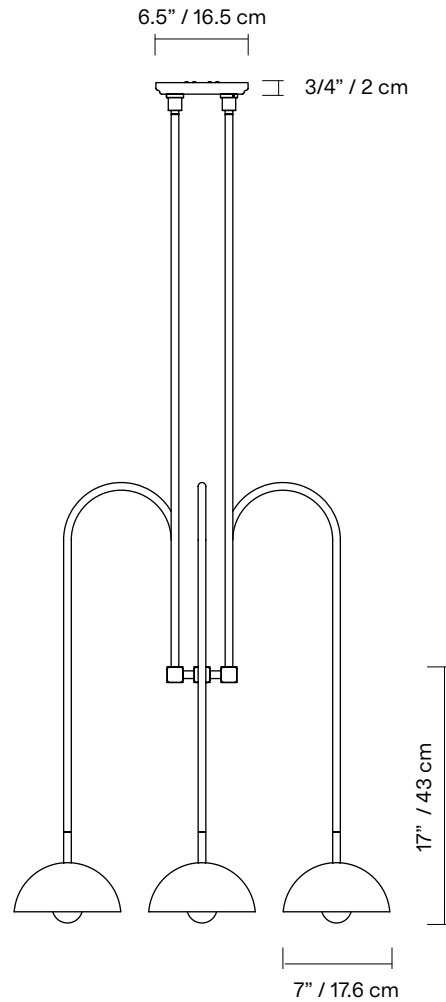
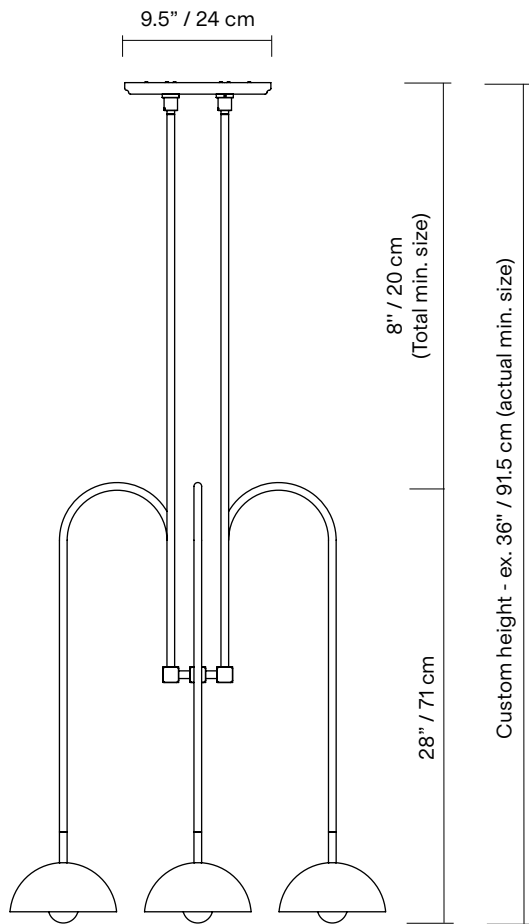
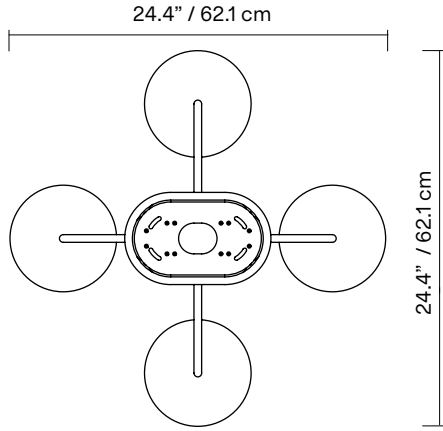


The Beaubien Atelier is a bold, ornamental suspension lamp that adds a maximalist touch to the minimalist spirit of the original collection. Inspired by the romance of Art Nouveau with a hint of industrial influence, and punctuated by a decorative pattern, the Beaubien Atelier adds a touch of grandeur and opulence to any space.

TYPE	Suspension
CONSTRUCTION	Powder coated aluminum and steel body Powder coated aluminum shades Brass hardware Milk glass globes
SPECIFICATIONS	Source: LED lamp provided (G9 base) Power consumption: 4 x 3.5W Lumen output: 720lm Colour temperature: 2700K included * 3000K available upon request Colour rendering index: 90 CRI standard Expected lifetime: 25 000h
CONTROL	Refer to our recommended list of dimmer models
TOTAL HEIGHT	Custom
WEIGHT	Min. 13 lb / 5.9 Kg
CERTIFICATIONS	     IP20
WARRANTY	2 years

NOTES

- Luminaire total minimum height (ceiling to lowest point of luminaire) - 36" / 92 cm
- Total maximum height (ceiling to lowest point of luminaire) - variable, please specify
- Luminaire height is not adjustable on site
- Not available for slanted ceiling



*dimensions are approximate and may vary slightly

FINISH



GE
Glossy
elephant



OB
Glossy
oxblood

HARDWARE

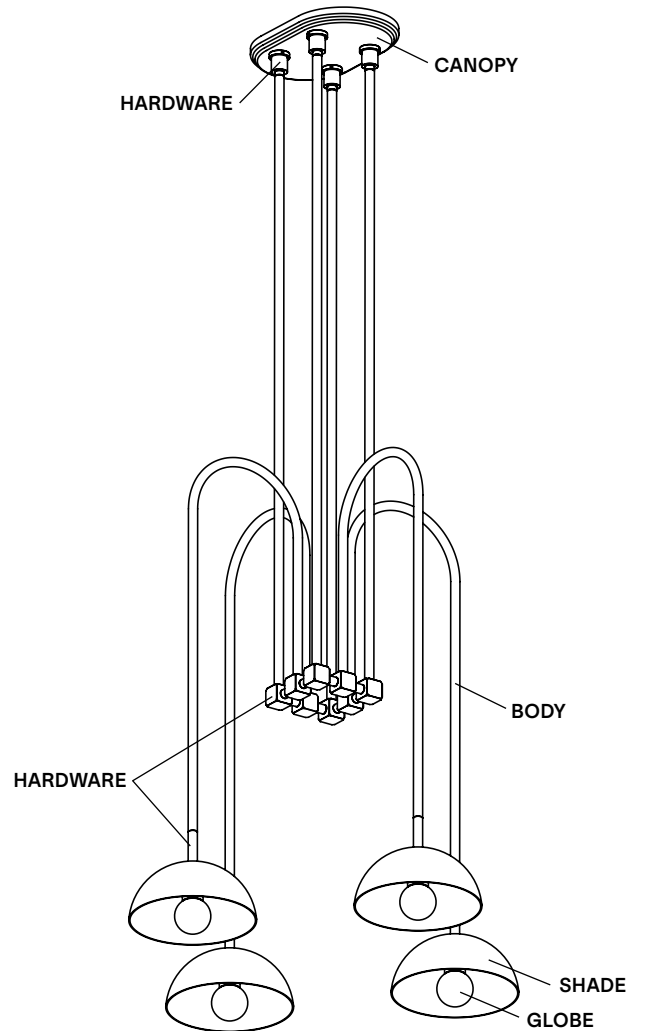


BR
Brass

NOTES

- Must be installed by an electrician
- Not protected against liquids (refer to IP20)
- Additional charges for modifications or for special orders
- Please refer to maintenance sheet on our website for cleaning instructions

LAMP ANATOMY



		Example	Fill with your selection
COLLECTION	BEA Beaubien	BEA	BEA
MODEL	53	53	53
FINISH	GE Glossy elephant OB Glossy oxblood CC Custom colour*	GE	
FULL SKU		BEA53GE	
		NOTES	

*Custom colour available upon request. Material library on website.

TESTED DIMMER COMPATIBILITY LIST - 120V*

Phase cut dimming (leading edge or trailing edge**)

DIMMER BRAND	MODEL	MAX LEVEL	MIN LEVEL	DIMMING PROTOCOL
LUTRON - MAESTRO	MAELV-600	100%	0%	Phase Cut
LUTRON - SKYLARK	SELV-300P	100%	0%	Phase Cut
LUTRON - SKYLARK	SELV-300P	100%	0%	Phase Cut
LUTRON - SKYLARK	CTELV-303P	100%	0%	Phase Cut
LUTRON - DIVA	DVELV-300P	100%	0%	Phase Cut
LEGRAND - ADORNE	TRUE UNIVERSAL	100%	30%	Phase Cut

TESTED DIMMER COMPATIBILITY LIST - 230V*

Phase cut dimming (leading edge or trailing edge**)

DIMMER BRAND	MODEL	MAX LEVEL	MIN LEVEL	DIMMING PROTOCOL
VARILIGHT	V-PRO	100%	2%	Phase Cut
LEGRAND - NILOÉ	3 996 35	87%	15%	Phase Cut
NIKO	310-0280X	94%	5%	Phase Cut
NIKO	310-0190X	100%	1%	Phase Cut

*Other dimmers can yield good results and we recommend conducting your own test before final installation.

Some dimmers require a minimum load, check specifications.

*Other dimmers that specify LED lamp compatibility may operate without issue.

We recommend conducting your own test before final installation.

**Leading edge is also known as TRIAC or Forward Phase.

Trailing edge is also known as ELV or Reverse Phase.
