

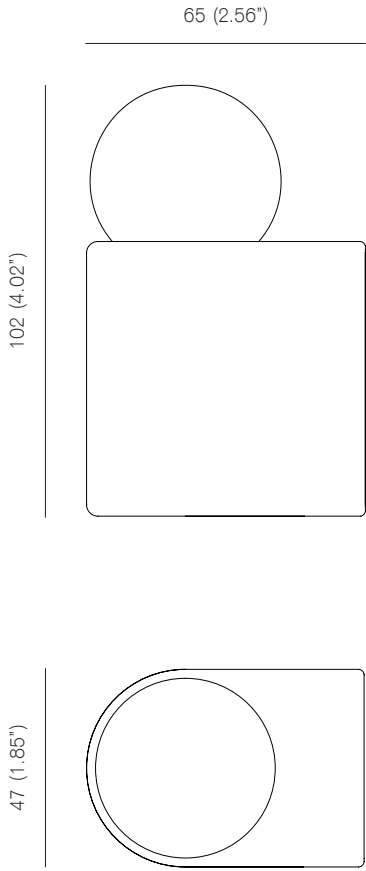
# MICHAEL ANASTASSIADES

White Porcelain Series - Wall - D1, 2017





White Porcelain Series - Wall - D1, 2017  
Glazed porcelain body with opaline diffuser



Due to the handmade nature of ceramic, dimensions may vary upwards of 3%.

## Bulb specifications

Bulb specifications 120V / 240V  
G9, 25W frosted halogen bulb  
260lm / 3000K

Bulb specifications 220V / 240V  
G9, 2,5W LED Long Life  
220lm / 2700K

## Product specifications

Input voltage: 120V / 240V  
Maximum wattage: 25W  
Dimmable: yes  
Mounting options: Surface wall with bulb facing up or down (to be specified via order).  
Product weight: ~1kg  
IPCode IP65

120V version supplied with a white 4" junction box cover

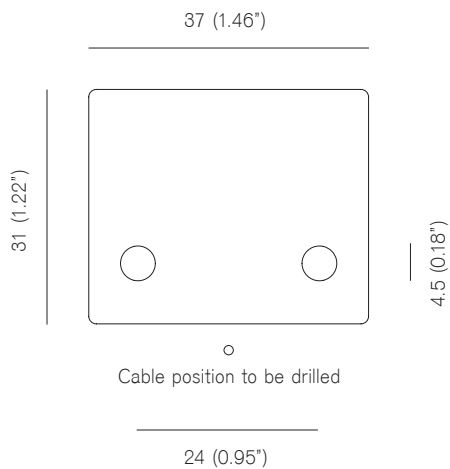
## Cleaning Instructions

Before cleaning, lighting fixtures must be turned off and unplugged from mains electricity. Whilst cleaning them please be extremely careful.

Porcelain body: Use a lightly damp soft dust cloth and gently go over marks until clean. Dry it afterwards with a soft dust cloth. Make sure the product is completely dry before switching the electricity on.

Glass sphere: Remove the glass sphere from the product. Using a lightly damp cloth, clean only the outside of the sphere and dry it with a dry soft dust cloth. Only put the glass sphere back on the product once it is fully dry.

## Backplate



Mounting screws not included.  
M4 countersunk screw recommended.

Michael Anastassiades' design philosophy is to preserve the inherent qualities of given material. All of our products are handmade and come in natural finishes, exposed to the elements without any protective lacquers. We look at oxidisation as part of a process that adds to the patina of an object, increasing beauty with time. We try our best for all goods to leave our premises in pristine condition, but sometimes products may arrive with minor oxidisation marks.

Whilst every effort is made to ensure accurate representation of product colours, finishes and dimensions, Michael Anastassiades Ltd reserves the right to alter these details without notice, in compliance with its own production needs, technological changes or in response to the current market needs. Colour swatches are for reference only; Michael Anastassiades Ltd cannot guarantee exact colour match for any product finishes.

All designs are protected under copyright law. Michael Anastassiades holds the exclusive manufacturing and distribution rights worldwide. Copying will be prosecuted.

All light fixtures in this catalogue have CE marking compliance.

Michael Anastassiades Ltd.  
122 Lower Marsh, London SE1 7AE  
T +44 (0)20 7928 7527  
sales@michaelanastassiades.com  
www.michaelanastassiades.com  
© 2017 Michael Anastassiades Ltd.. All rights reserved.

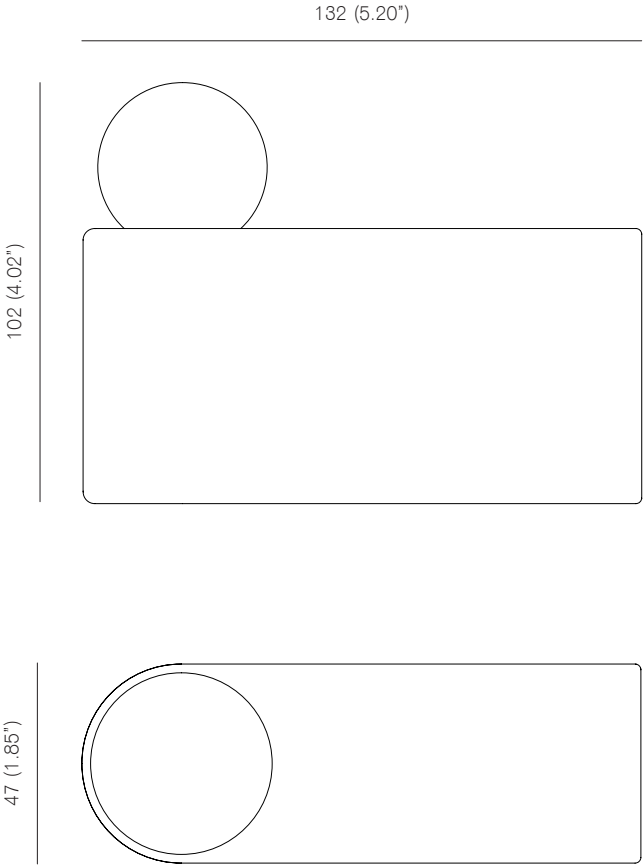
# MICHAEL ANASTASSIADES

White Porcelain Series - Wall - D2, 2017





White Porcelain Series - Wall - D2, 2017  
Glazed porcelain body with opaline diffuser



Due to the handmade nature of ceramic, dimensions may vary upwards of 3%.



## Bulb specifications

Bulb specifications 120V / 240V  
G9, 25W frosted halogen bulb  
260lm / 3000K

Bulb specifications 220V / 240V  
G9, 2,5W LED Long Life  
220lm / 2700K

## Product specifications

Input voltage: 120V / 240V  
Maximum wattage: 25W  
Dimmable: yes  
Mounting options: Surface wall with bulb facing up or down (to be specified via order).  
Product weight: ~1kg  
IPCode IP65

120V version supplied with a white 4" junction box cover

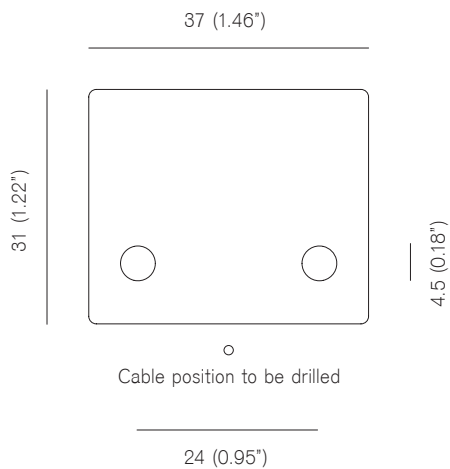
## Cleaning Instructions

Before cleaning, lighting fixtures must be turned off and unplugged from mains electricity. Whilst cleaning them please be extremely careful.

Porcelain body: Use a lightly damp soft dust cloth and gently go over marks until clean. Dry it afterwards with a soft dust cloth. Make sure the product is completely dry before switching the electricity on.

Glass sphere: Remove the glass sphere from the product. Using a lightly damp cloth, clean only the outside of the sphere and dry it with a dry soft dust cloth. Only put the glass sphere back on the product once it is fully dry.

## Backplate



Mounting screws not included.  
M4 countersunk screw recommended.

Michael Anastassiades' design philosophy is to preserve the inherent qualities of given material. All of our products are handmade and come in natural finishes, exposed to the elements without any protective lacquers. We look at oxidisation as part of a process that adds to the patina of an object, increasing beauty with time. We try our best for all goods to leave our premises in pristine condition, but sometimes products may arrive with minor oxidisation marks.

Whilst every effort is made to ensure accurate representation of product colours, finishes and dimensions, Michael Anastassiades Ltd reserves the right to alter these details without notice, in compliance with its own production needs, technological changes or in response to the current market needs. Colour swatches are for reference only; Michael Anastassiades Ltd cannot guarantee exact colour match for any product finishes.

All designs are protected under copyright law. Michael Anastassiades holds the exclusive manufacturing and distribution rights worldwide. Copying will be prosecuted.

All light fixtures in this catalogue have CE marking compliance.

Michael Anastassiades Ltd.  
122 Lower Marsh, London SE1 7AE  
T +44 (0)20 7928 7527  
sales@michaelanastassiades.com  
www.michaelanastassiades.com  
© 2017 Michael Anastassiades Ltd.. All rights reserved.

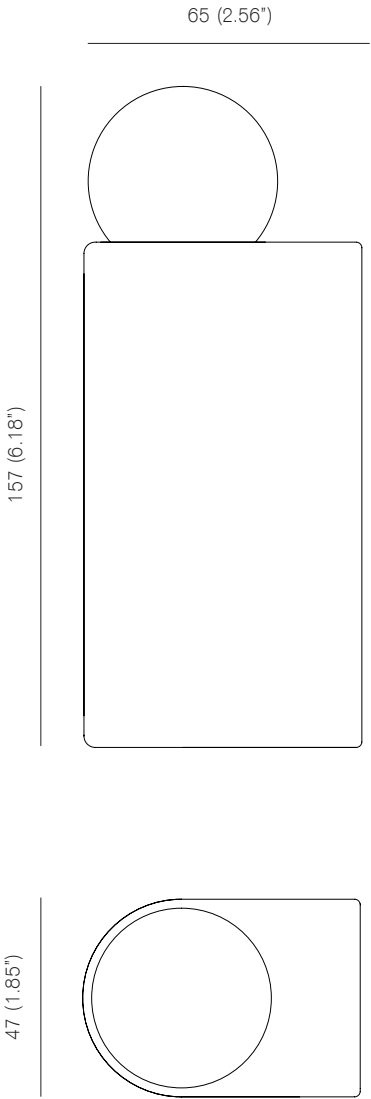
# MICHAEL ANASTASSIADES

White Porcelain Series - Wall - D3, 2017





White Porcelain Series - Wall - D3, 2017  
Glazed porcelain body with opaline diffuser



Due to the handmade nature of ceramic, dimensions may vary upwards of 3%.

## Bulb specifications

Bulb specifications 120V / 240V  
G9, 25W frosted halogen bulb  
260lm / 3000K

Bulb specifications 220V / 240V  
G9, 2,5W LED Long Life  
220lm / 2700K

## Product specifications

Input voltage: 120V / 240V  
Maximum wattage: 25W  
Dimmable: yes  
Mounting options: Surface wall with bulb facing up or down (to be specified via order).  
Product weight: ~1kg  
IPCode IP65

120V version supplied with a white 4" junction box cover

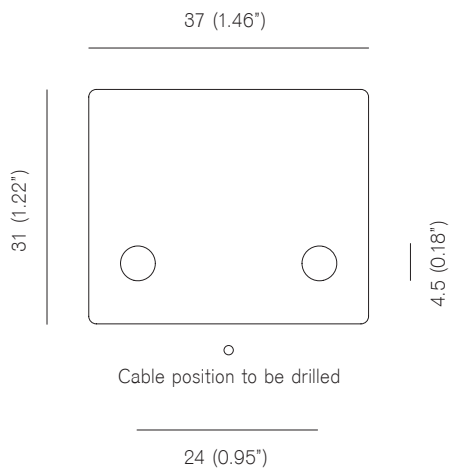
## Cleaning Instructions

Before cleaning, lighting fixtures must be turned off and unplugged from mains electricity. Whilst cleaning them please be extremely careful.

Porcelain body: Use a lightly damp soft dust cloth and gently go over marks until clean. Dry it afterwards with a soft dust cloth. Make sure the product is completely dry before switching the electricity on.

Glass sphere: Remove the glass sphere from the product. Using a lightly damp cloth, clean only the outside of the sphere and dry it with a dry soft dust cloth. Only put the glass sphere back on the product once it is fully dry.

## Backplate



Mounting screws not included.  
M4 countersunk screw recommended.

Michael Anastassiades' design philosophy is to preserve the inherent qualities of given material. All of our products are handmade and come in natural finishes, exposed to the elements without any protective lacquers. We look at oxidation as part of a process that adds to the patina of an object, increasing beauty with time. We try our best for all goods to leave our premises in pristine condition, but sometimes products may arrive with minor oxidation marks.

Whilst every effort is made to ensure accurate representation of product colours, finishes and dimensions, Michael Anastassiades Ltd reserves the right to alter these details without notice, in compliance with its own production needs, technological changes or in response to the current market needs. Colour swatches are for reference only; Michael Anastassiades Ltd cannot guarantee exact colour match for any product finishes.

All designs are protected under copyright law. Michael Anastassiades holds the exclusive manufacturing and distribution rights worldwide. Copying will be prosecuted.

All light fixtures in this catalogue have CE marking compliance.

Michael Anastassiades Ltd.  
122 Lower Marsh, London SE1 7AE  
T +44 (0)20 7928 7527  
sales@michaelanastassiades.com  
www.michaelanastassiades.com  
© 2017 Michael Anastassiades Ltd.. All rights reserved.

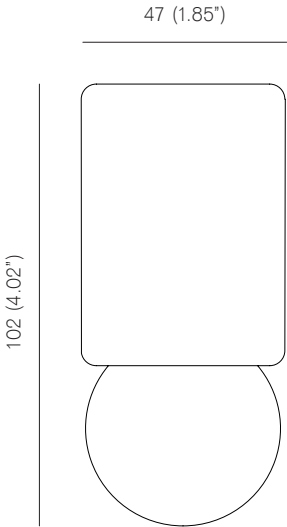
# MICHAEL ANASTASSIADES

White Porcelain Series - Ceiling & Wall - O1, 2017





White Porcelain Series - Ceiling & Wall - O1, 2017  
Glazed porcelain body with opaline diffuser



Due to the handmade nature of ceramic, dimensions may vary upwards of 3%.

## Bulb specifications

Bulb specification 240V  
G9, 40W frosted halogen bulb  
460lm / 2800K

Bulb specification 120V  
G9, 40W frosted halogen bulb  
350lm / 2800K

Bulb specifications 220V / 240V  
G9, 2,5W LED Long Life  
220lm / 2700K

## Product specifications

Input voltage: 120V / 240V  
Maximum wattage: 25W / 40W  
Dimmable: yes  
Mounting options: Surface ceiling or wall  
Product weight: ~1kg  
IPCode IP65

120V version supplied with a white 4" junction box cover

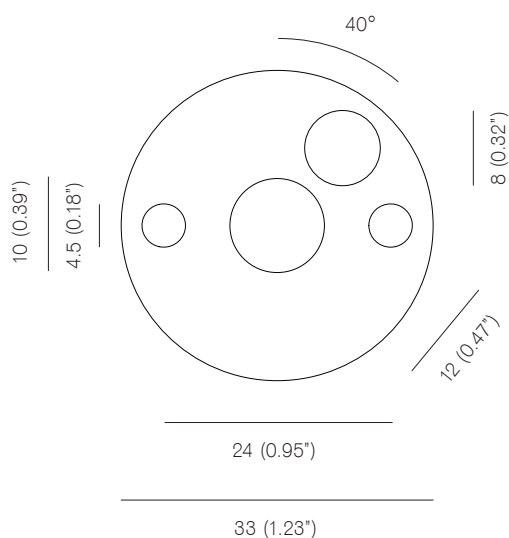
## Cleaning Instructions

Before cleaning, lighting fixtures must be turned off and unplugged from mains electricity. Whilst cleaning them please be extremely careful.

Porcelain body: Use a lightly damp soft dust cloth and gently go over marks until clean. Dry it afterwards with a soft dust cloth. Make sure the product is completely dry before switching the electricity on.

Glass sphere: Remove the glass sphere from the product. Using a lightly damp cloth, clean only the outside of the sphere and dry it with a dry soft dust cloth. Only put the glass sphere back on the product once it is fully dry.

## Backplate



Mounting screws not included.  
M4 countersunk screw recommended.

Michael Anastassiades' design philosophy is to preserve the inherent qualities of given material. All of our products are handmade and come in natural finishes, exposed to the elements without any protective lacquers. We look at oxidisation as part of a process that adds to the patina of an object, increasing beauty with time. We try our best for all goods to leave our premises in pristine condition, but sometimes products may arrive with minor oxidisation marks.

Whilst every effort is made to ensure accurate representation of product colours, finishes and dimensions, Michael Anastassiades Ltd reserves the right to alter these details without notice, in compliance with its own production needs, technological changes or in response to the current market needs. Colour swatches are for reference only; Michael Anastassiades Ltd cannot guarantee exact colour match for any product finishes.

All designs are protected under copyright law. Michael Anastassiades holds the exclusive manufacturing and distribution rights worldwide. Copying will be prosecuted.

All light fixtures in this catalogue have CE marking compliance.

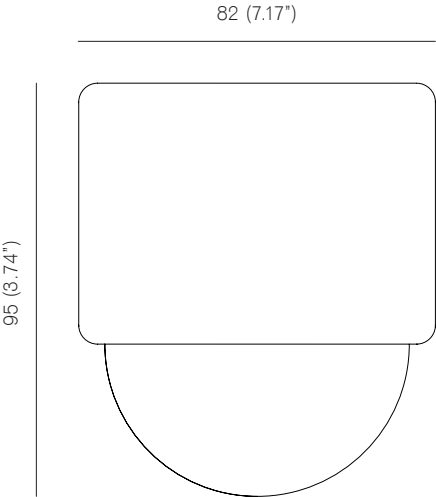
Michael Anastassiades Ltd.  
122 Lower Marsh, London SE1 7AE  
T +44 (0)20 7928 7527  
sales@michaelanastassiades.com  
www.michaelanastassiades.com  
© 2017 Michael Anastassiades Ltd.. All rights reserved.

# MICHAEL ANASTASSIADES

White Porcelain Series - Ceiling & Wall - O2, 2017



White Porcelain Series - Ceiling & Wall - O2, 2017  
Glazed porcelain body with opaline diffuser



Due to the handmade nature of ceramic, dimensions may vary upwards of 3%.

## Bulb specifications

Bulb specification 240V  
G9, 40W frosted halogen bulb  
460lm / 2800K

Bulb specification 120V  
G9, 40W frosted halogen bulb  
350lm / 2800K

Bulb specifications 220V / 240V  
G9, 2.5W LED Long Life  
220lm / 2700K

## Product specifications

Input voltage: 120V / 240V  
Maximum wattage: 25W / 40W  
Dimmable: yes  
Mounting options: Surface ceiling or wall  
Product weight: ~1kg  
IPCode IP65

120V version supplied with a white 4" junction box cover

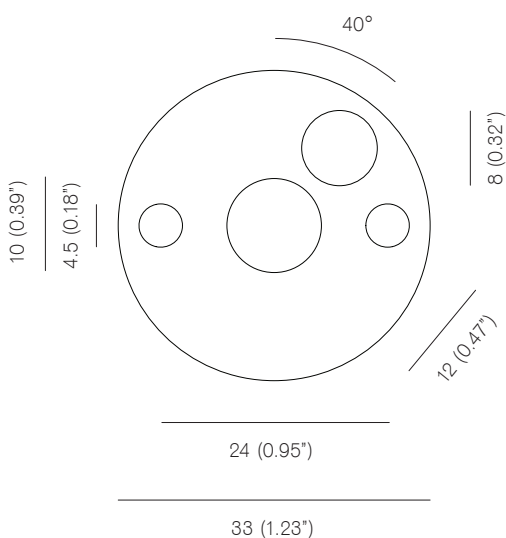
## Cleaning Instructions

Before cleaning, lighting fixtures must be turned off and unplugged from mains electricity. Whilst cleaning them please be extremely careful.

Porcelain body: Use a lightly damp soft dust cloth and gently go over marks until clean. Dry it afterwards with a soft dust cloth. Make sure the product is completely dry before switching the electricity on.

Glass sphere: Remove the glass sphere from the product. Using a lightly damp cloth, clean only the outside of the sphere and dry it with a dry soft dust cloth. Only put the glass sphere back on the product once it is fully dry.

## Backplate



Mounting screws not included.  
M4 countersunk screw recommended.

Michael Anastassiades' design philosophy is to preserve the inherent qualities of given material. All of our products are handmade and come in natural finishes, exposed to the elements without any protective lacquers. We look at oxidisation as part of a process that adds to the patina of an object, increasing beauty with time. We try our best for all goods to leave our premises in pristine condition, but sometimes products may arrive with minor oxidisation marks.

Whilst every effort is made to ensure accurate representation of product colours, finishes and dimensions, Michael Anastassiades Ltd reserves the right to alter these details without notice, in compliance with its own production needs, technological changes or in response to the current market needs. Colour swatches are for reference only; Michael Anastassiades Ltd cannot guarantee exact colour match for any product finishes.

All designs are protected under copyright law. Michael Anastassiades holds the exclusive manufacturing and distribution rights worldwide. Copying will be prosecuted.

All light fixtures in this catalogue have CE marking compliance.

Michael Anastassiades Ltd.  
122 Lower Marsh, London SE1 7AE  
T +44 (0)20 7928 7527  
sales@michaelanastassiades.com  
www.michaelanastassiades.com  
© 2017 Michael Anastassiades Ltd.. All rights reserved.

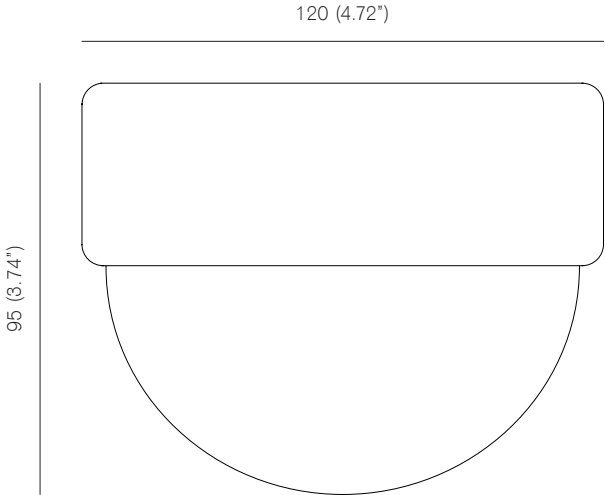
# MICHAEL ANASTASSIADES

White Porcelain Series - Ceiling & Wall - O3, 2017





White Porcelain Series - Ceiling & Wall - O3, 2017  
Glazed porcelain body with opaline diffuser



Due to the handmade nature of ceramic, dimensions may vary upwards of 3%.

## Bulb specifications

Bulb specification 240V  
G9, 40W frosted halogen bulb  
460lm / 2800K

Bulb specification 120V  
G9, 40W frosted halogen bulb  
350lm / 2800K

Bulb specifications 220V / 240V  
G9, 2.5W LED Long Life  
220lm / 2700K

## Product specifications

Input voltage: 120V / 240V  
Maximum wattage: 25W / 40W  
Dimmable: yes  
Mounting options: Surface ceiling or wall  
Product weight: ~1kg  
IPCode IP65

120V version supplied with a white 4" junction box cover

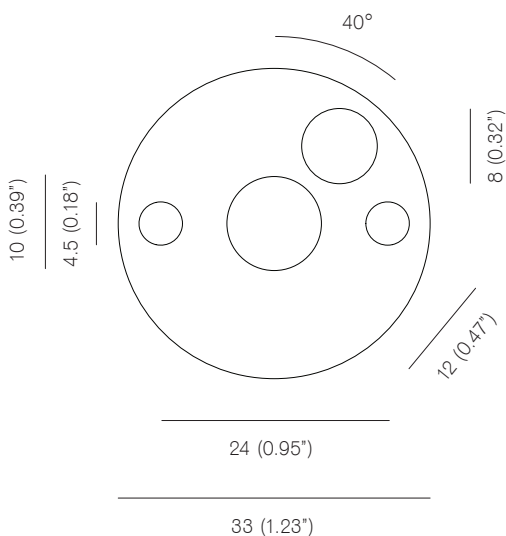
## Cleaning Instructions

Before cleaning, lighting fixtures must be turned off and unplugged from mains electricity. Whilst cleaning them please be extremely careful.

Porcelain body: Use a lightly damp soft dust cloth and gently go over marks until clean. Dry it afterwards with a soft dust cloth. Make sure the product is completely dry before switching the electricity on.

Glass sphere: Remove the glass sphere from the product. Using a lightly damp cloth, clean only the outside of the sphere and dry it with a dry soft dust cloth. Only put the glass sphere back on the product once it is fully dry.

## Backplate



Mounting screws not included.  
M4 countersunk screw recommended.

Michael Anastassiades' design philosophy is to preserve the inherent qualities of given material. All of our products are handmade and come in natural finishes, exposed to the elements without any protective lacquers. We look at oxidation as part of a process that adds to the patina of an object, increasing beauty with time. We try our best for all goods to leave our premises in pristine condition, but sometimes products may arrive with minor oxidation marks.

Whilst every effort is made to ensure accurate representation of product colours, finishes and dimensions, Michael Anastassiades Ltd reserves the right to alter these details without notice, in compliance with its own production needs, technological changes or in response to the current market needs. Colour swatches are for reference only; Michael Anastassiades Ltd cannot guarantee exact colour match for any product finishes.

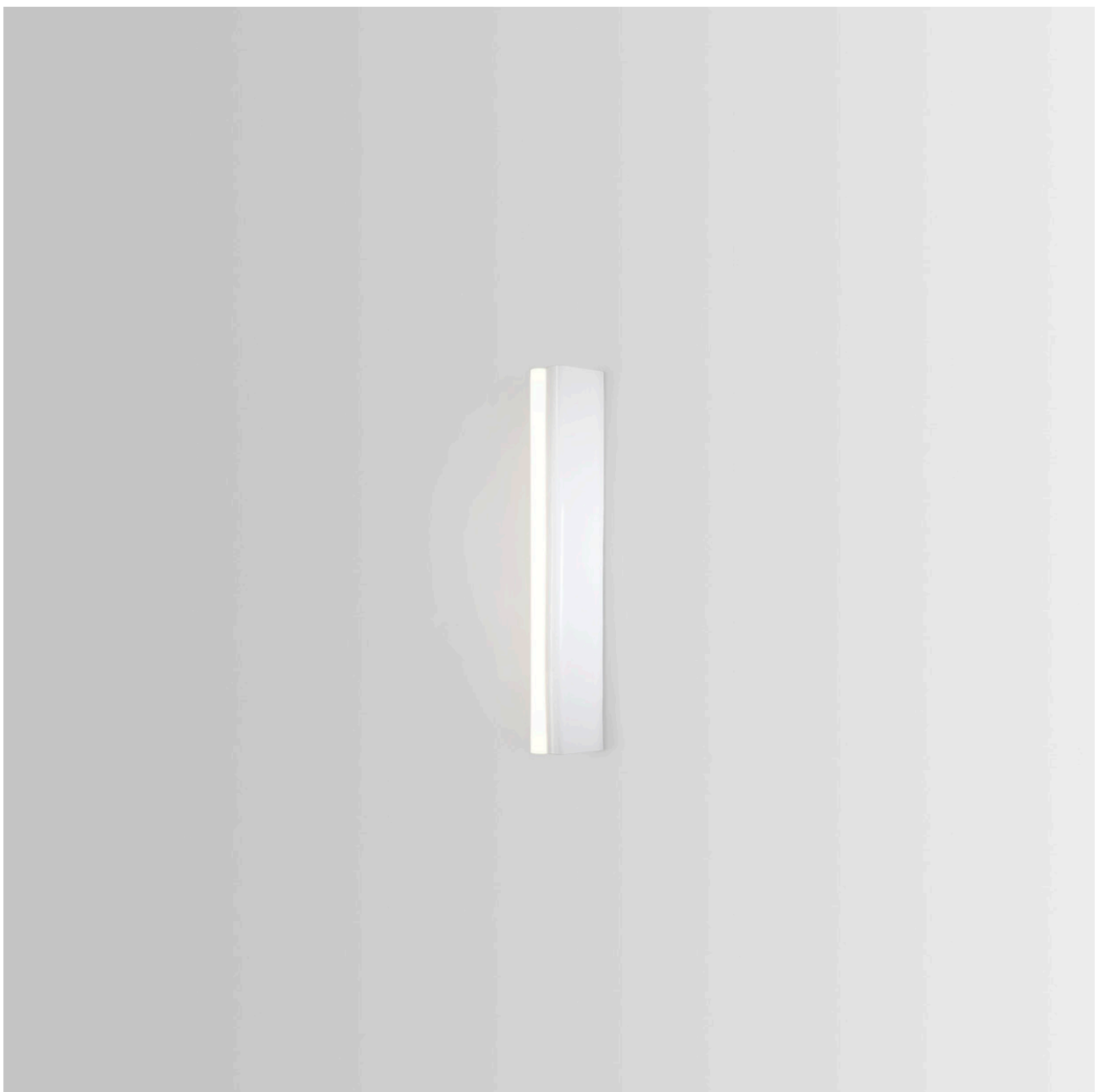
All designs are protected under copyright law. Michael Anastassiades holds the exclusive manufacturing and distribution rights worldwide. Copying will be prosecuted.

All light fixtures in this catalogue have CE marking compliance.

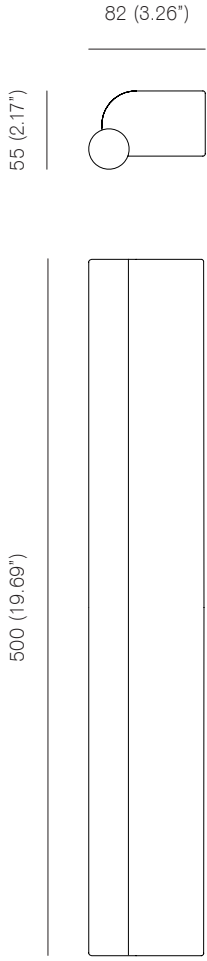
Michael Anastassiades Ltd.  
122 Lower Marsh, London SE1 7AE  
T +44 (0)20 7928 7527  
sales@michaelanastassiades.com  
www.michaelanastassiades.com  
© 2017 Michael Anastassiades Ltd.. All rights reserved.

# MICHAEL ANASTASSIADES

White Porcelain Series - Ceiling & Wall - T1, 2017



White Porcelain Series - Ceiling & Wall - T1, 2017  
Glazed porcelain body



Due to the handmade nature of ceramic, dimensions may vary upwards of 3%.

## Bulb specifications

Bulb specifications 240V  
S14s opal LED tube  
Radium Raledina 9W / 500mm ø29mm  
450lm / 2700K

## Product specifications

Input voltage: 120V / 240V  
Maximum wattage: 9W  
Dimmable: yes  
Mounting options: Surface ceiling or wall mount  
Product weight: ~1kg  
IPCode IP20 or IP65 upon request

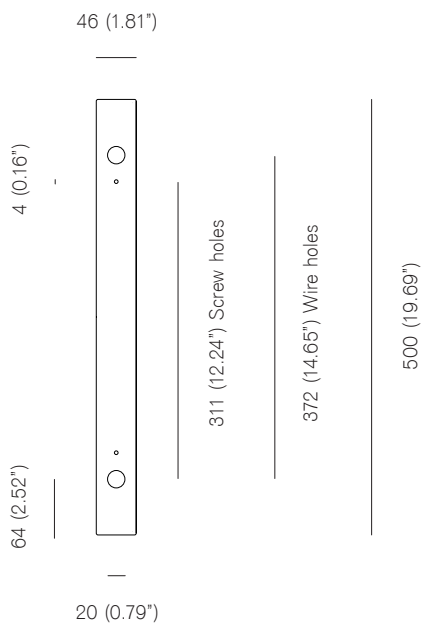
## Cleaning Instructions

Before cleaning, lighting fixtures must be turned off and unplugged from mains electricity. Whilst cleaning them please be extremely careful.

Porcelain body: Use a lightly damp soft dust cloth and gently go over marks until clean. Dry it afterwards with a soft dust cloth. Make sure the product is completely dry before switching the electricity on.

Glass tube: Remove the bulb from the product. Using a lightly damp cloth, clean only the outside of the sphere and dry it with a dry soft dust cloth. Only put the glass bulb back on the product once it is fully dry.

## Backplate



Dimensions may vary due to handmade nature of product.  
Mounting screws not included.  
M4 countersunk screw recommended, handscrew into backplate to surface.

Michael Anastassiades' design philosophy is to preserve the inherent qualities of given material. All of our products are handmade and come in natural finishes, exposed to the elements without any protective lacquers. We look at oxidation as part of a process that adds to the patina of an object, increasing beauty with time. We try our best for all goods to leave our premises in pristine condition, but sometimes products may arrive with minor oxidation marks.

Whilst every effort is made to ensure accurate representation of product colours, finishes and dimensions, Michael Anastassiades Ltd reserves the right to alter these details without notice, in compliance with its own production needs, technological changes or in response to the current market needs. Colour swatches are for reference only; Michael Anastassiades Ltd cannot guarantee exact colour match for any product finishes.

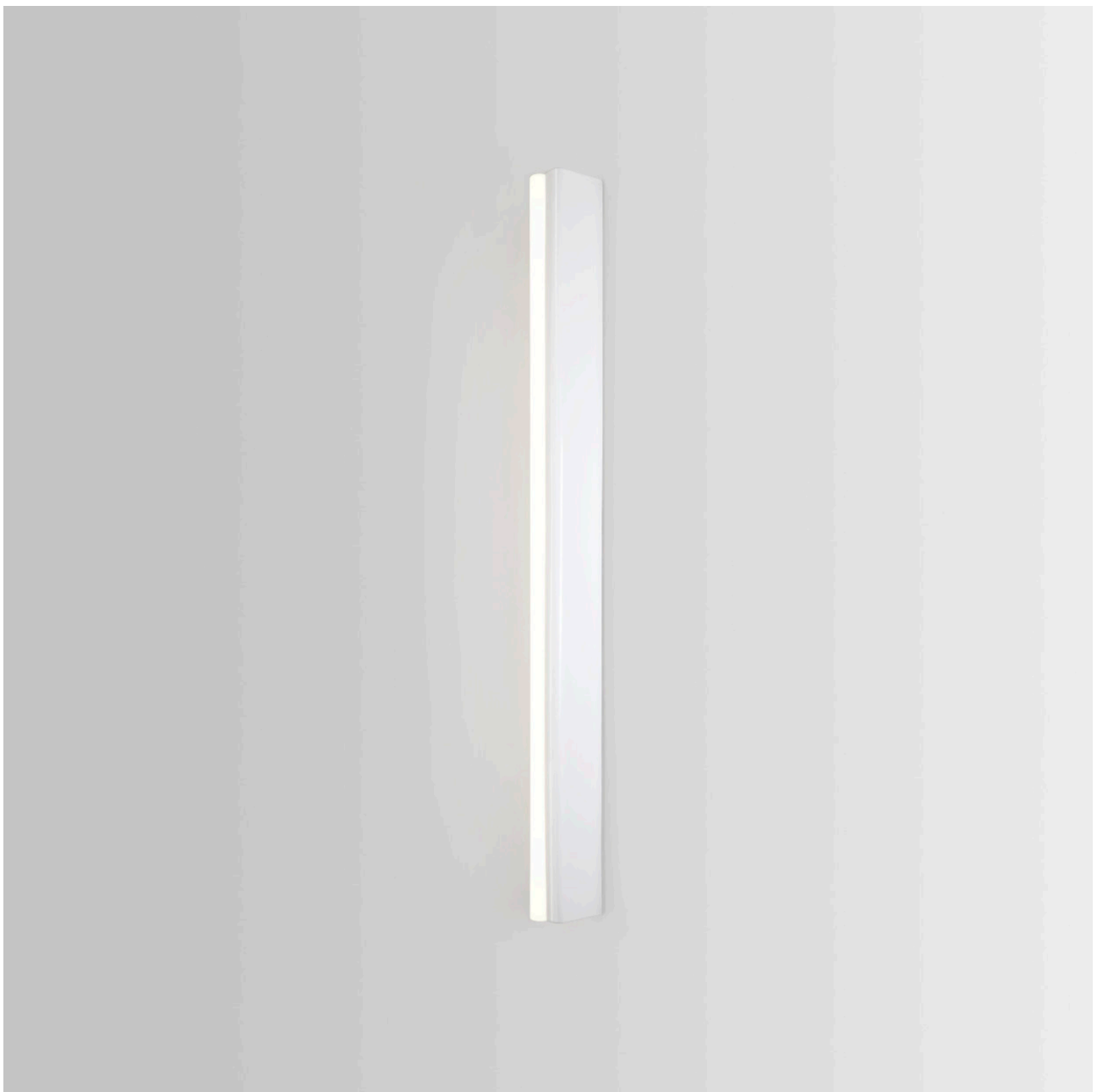
All designs are protected under copyright law. Michael Anastassiades holds the exclusive manufacturing and distribution rights worldwide. Copying will be prosecuted.

All light fixtures in this catalogue have CE marking compliance.

Michael Anastassiades Ltd.  
122 Lower Marsh, London SE1 7AE  
T +44 (0)20 7928 7527  
sales@michaelanastassiades.com  
www.michaelanastassiades.com  
© 2017 Michael Anastassiades Ltd. All rights reserved.

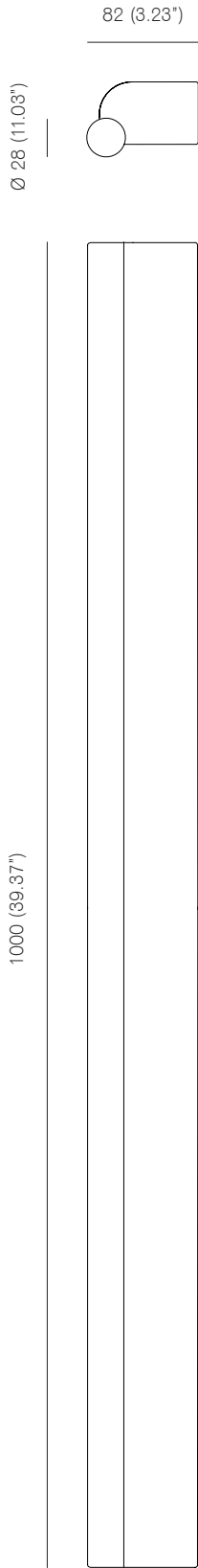
# MICHAEL ANASTASSIADES

White Porcelain Series - Ceiling & Wall - T2, 2017





White Porcelain Series - Ceiling & Wall - T2, 2017  
Glazed porcelain body



Due to the handmade nature of ceramic, dimensions may vary upwards of 3%.

## Bulb specifications

Bulb specifications 240V  
S14s opal LED tube  
Radium Raledina 16,5W / 1000mm ø29mm  
1000lm / 2700K

## Product specifications

Input voltage: 120V / 240V  
Maximum wattage: 16,5W  
Dimmable: yes  
Mounting options: Surface ceiling or wall  
Product weight: ~3kg  
IPCode IP20 or IP65 upon request

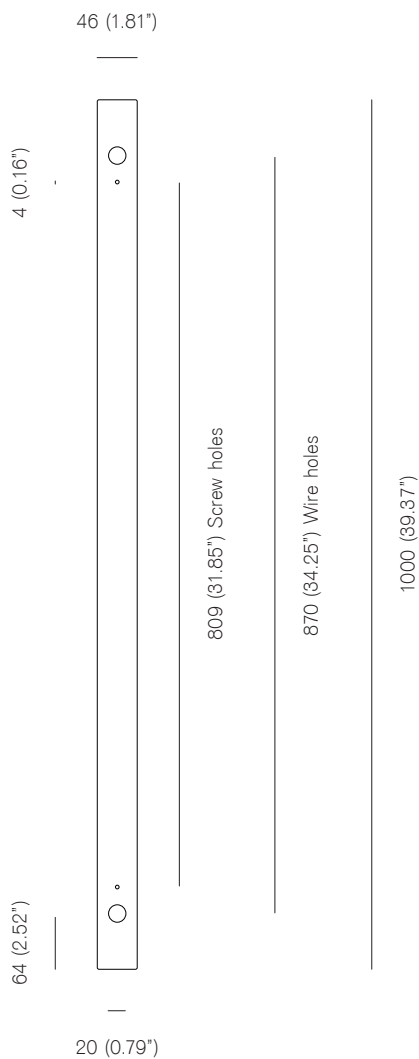
## Cleaning Instructions

Before cleaning, lighting fixtures must be turned off and unplugged from mains electricity. Whilst cleaning them please be extremely careful.

Porcelain body: Use a lightly damp soft dust cloth and gently go over marks until clean. Dry it afterwards with a soft dust cloth. Make sure the product is completely dry before switching the electricity on.

Glass tube: Remove the bulb from the product. Using a lightly damp cloth, clean only the outside of the sphere and dry it with a dry soft dust cloth. Only put the glass bulb back on the product once it is fully dry.

## Backplate



Dimensions may vary due to handmade nature of product.  
Mounting screws not included.  
M4 countersunk screw recommended, handscrew into backplate to surface.

Michael Anastassiades' design philosophy is to preserve the inherent qualities of given material. All of our products are handmade and come in natural finishes, exposed to the elements without any protective lacquers. We look at oxidation as part of a process that adds to the patina of an object, increasing beauty with time. We try our best for all goods to leave our premises in pristine condition, but sometimes products may arrive with minor oxidation marks.

Whilst every effort is made to ensure accurate representation of product colours, finishes and dimensions, Michael Anastassiades Ltd reserves the right to alter these details without notice, in compliance with its own production needs, technological changes or in response to the current market needs. Colour swatches are for reference only; Michael Anastassiades Ltd cannot guarantee exact colour match for any product finishes.

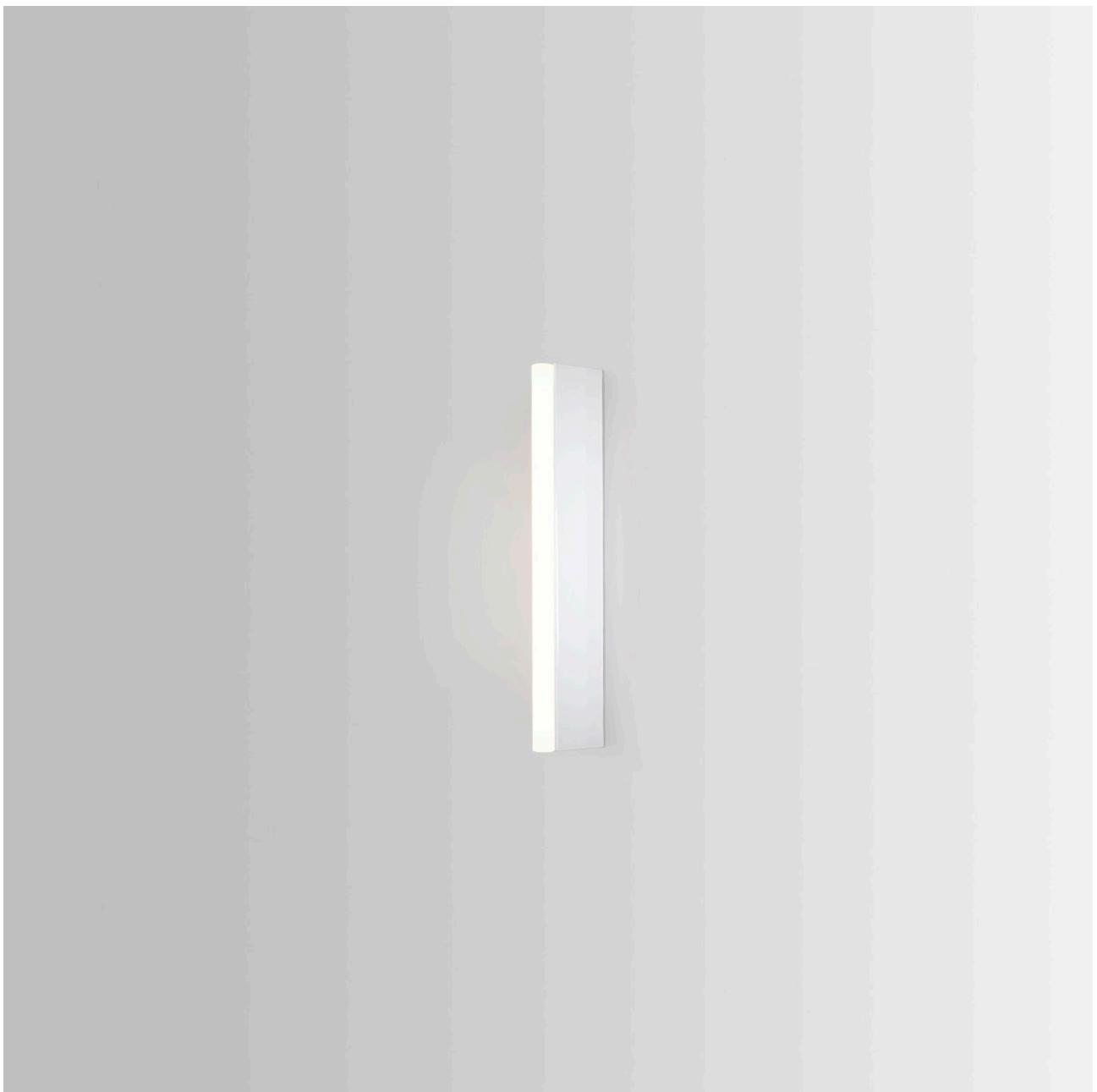
All designs are protected under copyright law. Michael Anastassiades holds the exclusive manufacturing and distribution rights worldwide. Copying will be prosecuted.

All light fixtures in this catalogue have CE marking compliance.

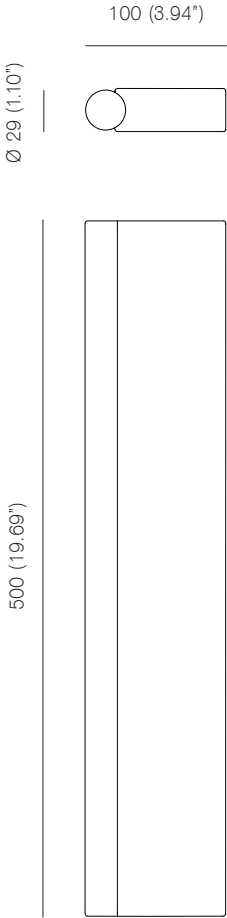
Michael Anastassiades Ltd.  
122 Lower Marsh, London SE1 7AE  
T +44 (0)20 7928 7527  
sales@michaelanastassiades.com  
www.michaelanastassiades.com  
© 2017 Michael Anastassiades Ltd. All rights reserved.

# MICHAEL ANASTASSIADES

White Porcelain Series - Ceiling & Wall - TS1, 2017



White Porcelain Series - Ceiling & Wall - TS1, 2017  
Glazed porcelain body



Due to the handmade nature of ceramic, dimensions may vary upwards of 3%.

## Bulb specifications

Bulb specifications 240V  
S14s opal LED tube  
Radium Raledina 9W / 500mm ø29mm  
450lm / 2700K

## Product specifications

Input voltage: 120V / 240V  
Maximum wattage: 9W  
Dimmable: yes  
Mounting options: Surface ceiling or wall mount  
Product weight: ~1kg  
IPCode IP20 or IP65 upon request

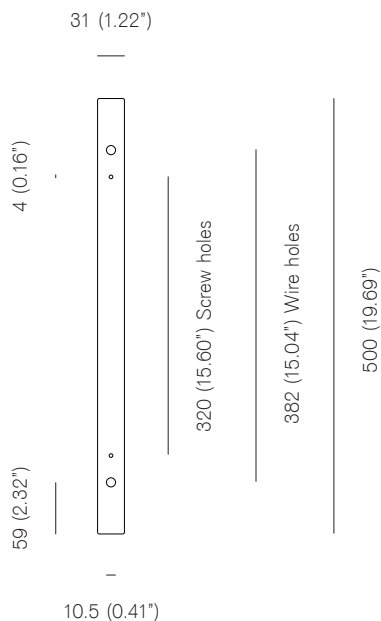
## Cleaning Instructions

Before cleaning, lighting fixtures must be turned off and unplugged from mains electricity. Whilst cleaning them please be extremely careful.

Porcelain body: Use a lightly damp soft dust cloth and gently go over marks until clean. Dry it afterwards with a soft dust cloth. Make sure the product is completely dry before switching the electricity on.

Glass tube: Remove the bulb from the product. Using a lightly damp cloth, clean only the outside of the sphere and dry it with a dry soft dust cloth. Only put the glass bulb back on the product once it is fully dry.

## Backplate



Dimensions may vary due to handmade nature of product.  
Mounting screws not included.  
M4 countersunk screw recommended, handscrew into backplate to surface.

Michael Anastassiades' design philosophy is to preserve the inherent qualities of given material. All of our products are handmade and come in natural finishes, exposed to the elements without any protective lacquers. We look at oxidation as part of a process that adds to the patina of an object, increasing beauty with time. We try our best for all goods to leave our premises in pristine condition, but sometimes products may arrive with minor oxidation marks.

Whilst every effort is made to ensure accurate representation of product colours, finishes and dimensions, Michael Anastassiades Ltd reserves the right to alter these details without notice, in compliance with its own production needs, technological changes or in response to the current market needs. Colour swatches are for reference only; Michael Anastassiades Ltd cannot guarantee exact colour match for any product finishes.

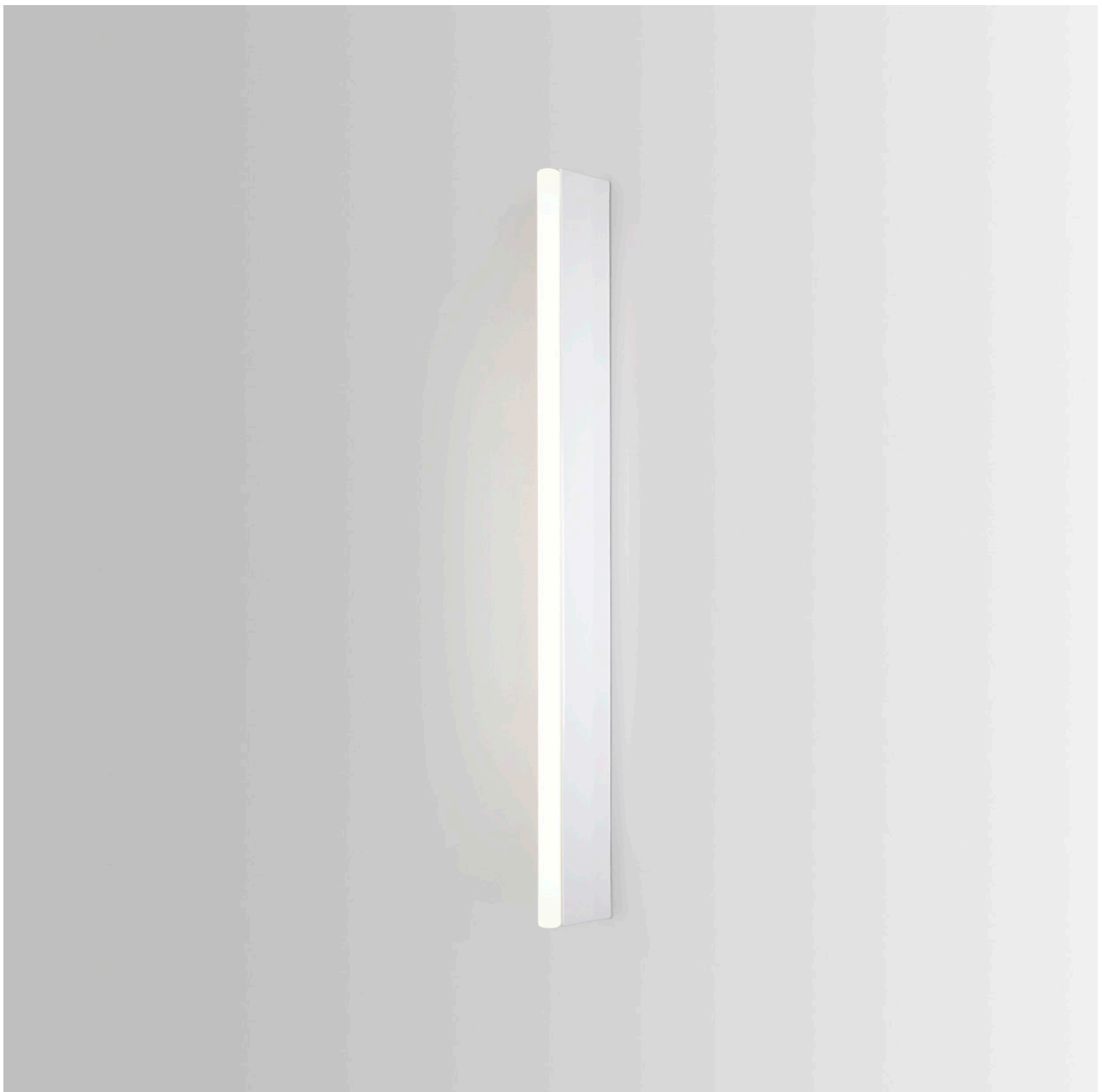
All designs are protected under copyright law. Michael Anastassiades holds the exclusive manufacturing and distribution rights worldwide. Copying will be prosecuted.

All light fixtures in this catalogue have CE marking compliance.

Michael Anastassiades Ltd.  
122 Lower Marsh, London SE1 7AE  
T +44 (0)20 7928 7527  
sales@michaelanastassiades.com  
www.michaelanastassiades.com  
© 2017 Michael Anastassiades Ltd. All rights reserved.

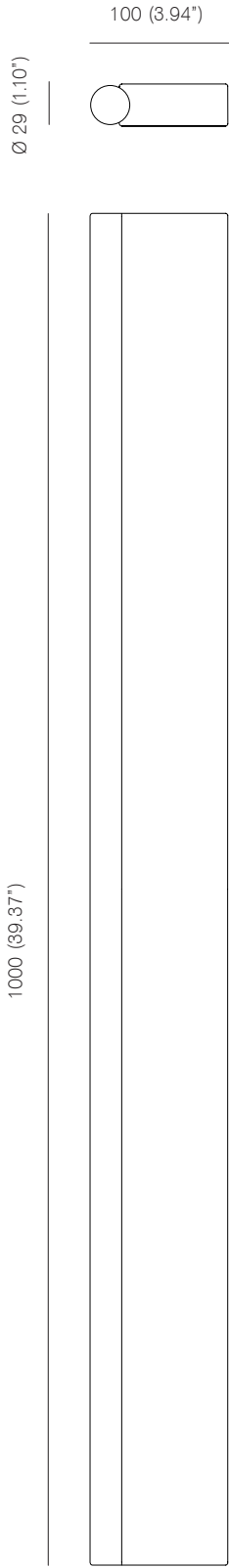
# MICHAEL ANASTASSIADES

White Porcelain Series - Ceiling & Wall - TS2, 2017





White Porcelain Series - Ceiling & Wall - TS2, 2017  
Glazed porcelain body



Due to the handmade nature of ceramic, dimensions may vary upwards of 3%.

## Bulb specifications

Bulb specifications 240V  
S14s opal LED tube  
Radium Raledina 16,5W / 1000mm ø29mm  
1000lm / 2700K

## Product specifications

Input voltage: 120V / 240V  
Maximum wattage: 16,5W  
Dimmable: yes  
Mounting options: Surface ceiling or wall  
Product weight: ~3kg  
IPCode IP20 or IP65 upon request

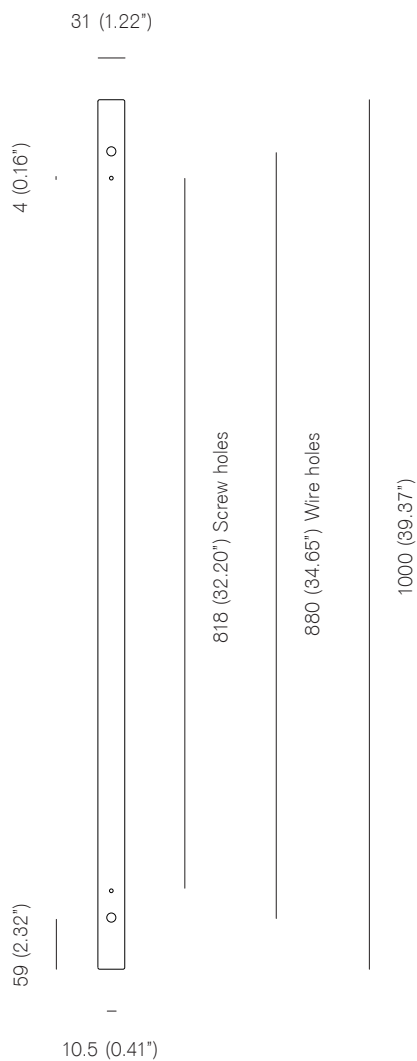
## Cleaning Instructions

Before cleaning, lighting fixtures must be turned off and unplugged from mains electricity. Whilst cleaning them please be extremely careful.

Porcelain body: Use a lightly damp soft dust cloth and gently go over marks until clean. Dry it afterwards with a soft dust cloth. Make sure the product is completely dry before switching the electricity on.

Glass tube: Remove the bulb from the product. Using a lightly damp cloth, clean only the outside of the sphere and dry it with a dry soft dust cloth. Only put the glass bulb back on the product once it is fully dry.

## Backplate



Dimensions may vary due to handmade nature of product.  
Mounting screws not included.  
M4 countersunk screw recommended, handscrew into backplate to surface.

Michael Anastassiades' design philosophy is to preserve the inherent qualities of given material. All of our products are handmade and come in natural finishes, exposed to the elements without any protective lacquers. We look at oxidation as part of a process that adds to the patina of an object, increasing beauty with time. We try our best for all goods to leave our premises in pristine condition, but sometimes products may arrive with minor oxidation marks.

Whilst every effort is made to ensure accurate representation of product colours, finishes and dimensions, Michael Anastassiades Ltd reserves the right to alter these details without notice, in compliance with its own production needs, technological changes or in response to the current market needs. Colour swatches are for reference only; Michael Anastassiades Ltd cannot guarantee exact colour match for any product finishes.

All designs are protected under copyright law. Michael Anastassiades holds the exclusive manufacturing and distribution rights worldwide. Copying will be prosecuted.

All light fixtures in this catalogue have CE marking compliance.

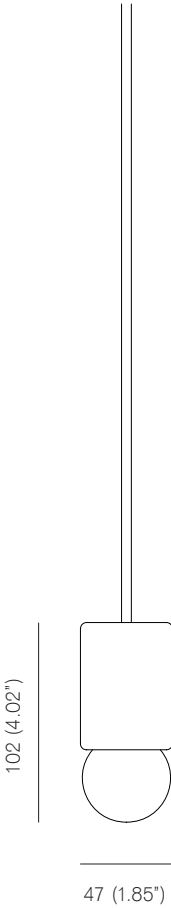
Michael Anastassiades Ltd.  
122 Lower Marsh, London SE1 7AE  
T +44 (0)20 7928 7527  
sales@michaelanastassiades.com  
www.michaelanastassiades.com  
© 2017 Michael Anastassiades Ltd. All rights reserved.

# MICHAEL ANASTASSIADES

White Porcelain Series - Pendant - C1, 2017



White Porcelain Series - Pendant - C1, 2017  
Glazed porcelain body with opaline diffuser  
2m braided white cable, standard flex length.  
Bespoke length by order.



Due to the handmade nature of ceramic, dimensions may vary upwards of 3%.

## Bulb specifications

Bulb specification 240V  
G9, 40W frosted halogen bulb  
460lm / 2800K

Bulb specification 120V  
G9, 40W frosted halogen bulb  
350lm / 2800K

Bulb specifications 220V / 240V  
G9, 2,5W LED Long Life  
220lm / 2700K

## Product specifications

Input voltage: 120V / 240V  
Maximum wattage: 25W / 40W  
Dimmable: yes  
Mounting options: Surface ceiling or wall  
Product weight: ~1kg  
IPCode IP65

120V version supplied with a white 4" junction box cover

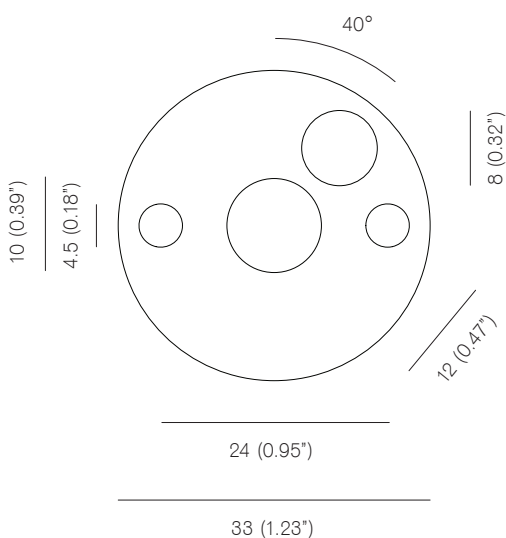
## Cleaning Instructions

Before cleaning, lighting fixtures must be turned off and unplugged from mains electricity. Whilst cleaning them please be extremely careful.

Porcelain body: Use a lightly damp soft dust cloth and gently go over marks until clean. Dry it afterwards with a soft dust cloth. Make sure the product is completely dry before switching the electricity on.

Glass sphere: Remove the glass sphere from the product. Using a lightly damp cloth, clean only the outside of the sphere and dry it with a dry soft dust cloth. Only put the glass sphere back on the product once it is fully dry.

## Backplate



Mounting screws not included.  
M4 countersunk screw recommended.

Michael Anastassiades' design philosophy is to preserve the inherent qualities of given material. All of our products are handmade and come in natural finishes, exposed to the elements without any protective lacquers. We look at oxidisation as part of a process that adds to the patina of an object, increasing beauty with time. We try our best for all goods to leave our premises in pristine condition, but sometimes products may arrive with minor oxidisation marks.

Whilst every effort is made to ensure accurate representation of product colours, finishes and dimensions, Michael Anastassiades Ltd reserves the right to alter these details without notice, in compliance with its own production needs, technological changes or in response to the current market needs. Colour swatches are for reference only; Michael Anastassiades Ltd cannot guarantee exact colour match for any product finishes.

All designs are protected under copyright law. Michael Anastassiades holds the exclusive manufacturing and distribution rights worldwide. Copying will be prosecuted.

All light fixtures in this catalogue have CE marking compliance.

Michael Anastassiades Ltd.  
122 Lower Marsh, London SE1 7AE  
T +44 (0)20 7928 7527  
sales@michaelanastassiades.com  
www.michaelanastassiades.com  
© 2017 Michael Anastassiades Ltd.. All rights reserved.

# MICHAEL ANASTASSIADES

White Porcelain Series, Pendant - P1, 2017



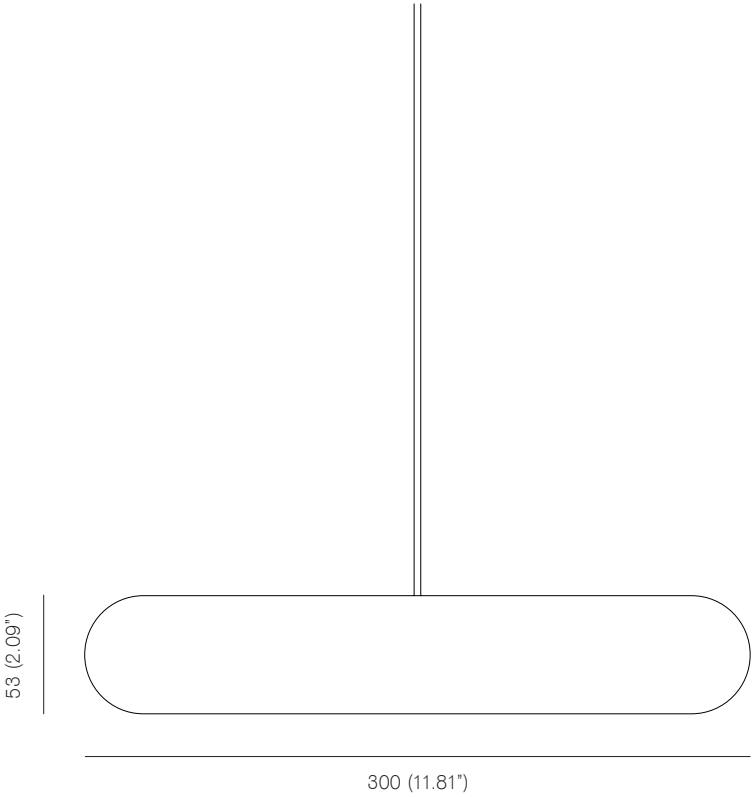


White Porcelain Series - Pendant - P1, 2017

Glazed porcelain body with opaline diffuser disk

2m white coax cable, standard flex length.

Bespoke length by order.



Due to the handmade nature of ceramic, dimensions may vary upwards of 3%.

## Bulb specifications TBA)

Bulb specifications 120V / 240V

LED sheet 18W 12V  
850lm / 2700K

## Product specifications

Input voltage: 120V / 240V  
Maximum wattage: 18W  
Dimmable. Yes  
Product weight: ~4kg

## Cleaning Instructions

Before cleaning, lighting fixtures must be turned off and unplugged from mains electricity. Whilst cleaning them please be extremely careful.

Porcelain body: Use a lightly damp soft dust cloth and gently go over marks until clean. Dry it afterwards with a soft dust cloth. Make sure the product is completely dry before switching the electricity on.

Glass sphere: Remove the glass sphere from the product. Using a lightly damp cloth, clean only the outside of the sphere and dry it with a dry soft dust cloth. Only put the glass sphere back on the product once it is fully dry.

## Backplate (TBA)

Michael Anastassiades' design philosophy is to preserve the inherent qualities of given material. All of our products are handmade and come in natural finishes, exposed to the elements without any protective lacquers. We look at oxidation as part of a process that adds to the patina of an object, increasing beauty with time. We try our best for all goods to leave our premises in pristine condition, but sometimes products may arrive with minor oxidation marks.

Whilst every effort is made to ensure accurate representation of product colours, finishes and dimensions, Michael Anastassiades Ltd reserves the right to alter these details without notice, in compliance with its own production needs, technological changes or in response to the current market needs. Colour swatches are for reference only; Michael Anastassiades Ltd cannot guarantee exact colour match for any product finishes.

All designs are protected under copyright law. Michael Anastassiades holds the exclusive manufacturing and distribution rights worldwide. Copying will be prosecuted.

All light fixtures in this catalogue have CE marking compliance.

Michael Anastassiades Ltd.  
122 Lower Marsh, London SE1 7AE  
T +44 (0)20 7928 7527  
sales@michaelanastassiades.com  
www.michaelanastassiades.com  
© 2017 Michael Anastassiades Ltd.. All rights reserved.