



FREDERIK WERNER & EMIL LAGONI VALBAK

# RONIN

Chair ●● 2016



## MATERIALS & FINISHES

### FINISHES

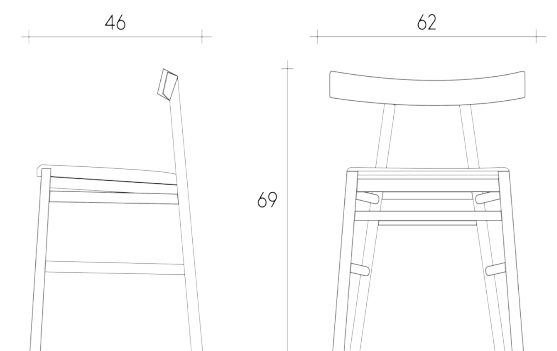
-  Mat black stained beech, White Pele de tigre marble
-  Mat black stained beech
-  Natural beech, white Pele de tigre marble
-  Natural beech
-  Choose fabric & stone

### MATERIALS

- Solid wood (beech)
- Marble
- Polyurethane foam
- Vegan leather

## DIMENSIONS & WEIGHT

|        | RONIN        | WITH PACKAGING |
|--------|--------------|----------------|
| HEIGHT | 69cm/27in.   | 106cm/41,8in.  |
| WIDTH  | 62cm/24,5in. | 70cm/27,6in.   |
| DEPTH  | 46cm/18in.   | 60cm/23,7in.   |
| WEIGHT | 5kg/11lbs.   | 30kg/66lbs.    |



## OTHER DETAILS

|                       |  |
|-----------------------|--|
| TECHNICAL INFORMATION | Delivery: in stock<br>Set of 2 chairs                                    |
| PACKAGING             | 1 thick cardboardbox   |
| MAINTENANCE           | Always use a microfiber cloth and rub lightly. Never apply any solvents. |