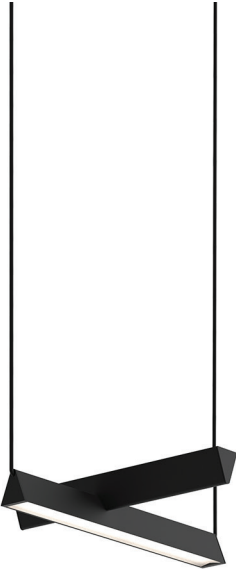

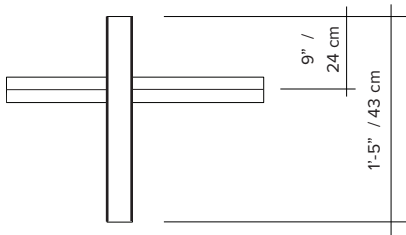
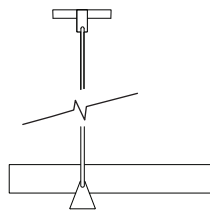
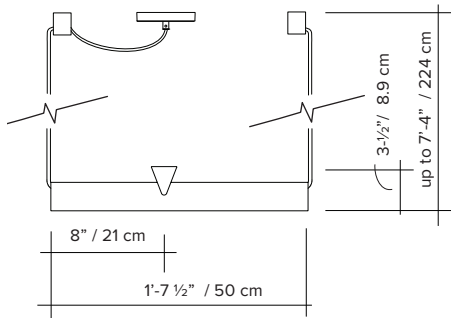


MILE 02

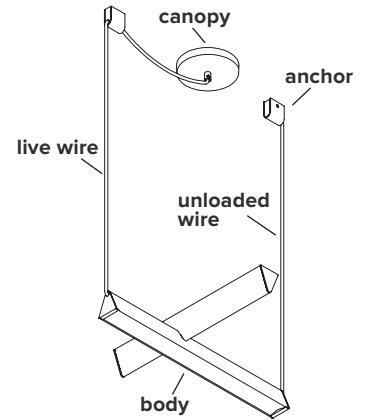


- type:** suspension
- materials:** body: powder coated aluminum
lens: frosted polycarbonate
hardware: powder coated aluminum
wire: polyester
- wire length:** 108" live wire feed
84" unloaded wire
- weight:** 3.9 lb / 1.8 kg
- light source:** 47W
(see lightbulb section for specifications)
- voltage:** 120V / 240V
- dimmer:** refer to our recommended list of dimmer models
- certifications:** 
- notes:**
- must be installed by an electrician
 - additional charges for modifications or for special orders
 - dimensions are approximate and may vary slightly
 - lead time 12 weeks

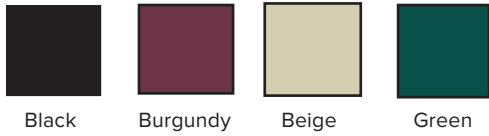


ORDER GUIDE: SKU

COLLECTION		MODEL	COLOUR (frame/wire/anchor)		COLOUR (canopy)		MOUNTING TYPE
Mile	mile	02	BL	black	WH	white	SM single mounting * Row mounting available
			BU	burgundy			
			BG	beige			
			GN	green			
MIL		02	BL		WH		SM = MIL02BLWHSM example



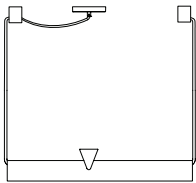
COLOUR (frame, wires and anchors)



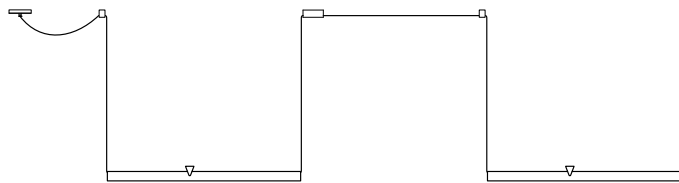
COLOUR (canopy)



MOUNTING TYPE

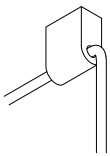


Single mounting

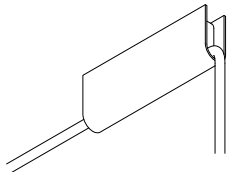


Row mounting available
(please consult sales team)

ANCHORS



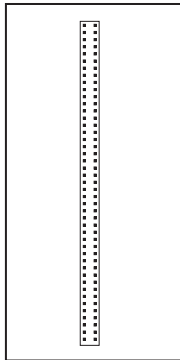
Regular anchor



Connecting anchor
for row mounting

LIGHT BULB & DIMMER SPECIFICATIONS

AC LED BOARD



47 W
 100V-120V / 240V
 uplight 1040 lumens
 downlight 1430 lumens
 LED 2700K
 50 000 H
 CRI ≥90
 2 years warranty
 3 SDCM consistency

DIMMER LIST COMPATIBILITY – 120V

The dimming technology offering the best results is ELV (electronic low voltage) dimmers with reverse phase or trailing edge control.

<u>DIMMER BRAND</u>	<u>MODEL NUMBER</u>	<u>MAX LEVEL</u>	<u>MIN LEVEL</u>	<u>FLICKERING</u>	<u>OVERALL QUOTE</u>
LUTRON - MAESTRO	MAELV-600	100%	10%	0%-10%	good
LUTRON - SKYLARK	SELV-300P	100%	10%	no	very good
LUTRON - SKYLARK	SELV-303P	100%	10%	no	very good
LUTRON - SKYLARK	CTELV-303P	100%	10%	no	very good
LUTRON - DIVA	DVELV-300P	100%	10%	no	very good
LEGRAND - ADORNE	TRUE UNIVERSAL	100%	30%	no	good

*Other dimmers can yield good results and we recommend conducting your own test before final installation.