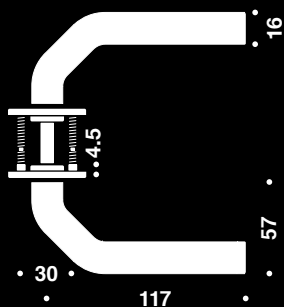


**Lever LF shape 16mm**



## Lever LF shape 16mm



### Description

Pair 7x7mm, w/snap on cover rose cc30/38mm, 33-41mm

### Item number

14.1556.02.010

Pair 7x7mm, w/snap on cover rose cc30/38mm, 41-49mm

14.1556.02.020

Pair 8x8mm, w/solid rose cc30mm, 33-41mm

14.1511.02.010

Pair 8x8mm, w/solid rose cc30mm, 41-49mm

14.1511.02.020

Pair 8x8mm, w/solid rose cc38mm, 33-41mm

14.1512.02.010

Pair 8x8mm, w/solid rose cc38mm, 41-49mm

14.1512.02.020

Pair 8x8mm, w/snap on cover rose cc30/38mm, 33-41mm

14.1516.02.010

Pair 8x8mm, w/snap on cover rose cc30/38mm, 41-49mm

14.1516.02.020

Pair 8x8mm, w/snap on cover rose + threaded lugs cc38mm, 33-41mm

14.1519.02.010

Pair 8x8mm, w/snap on cover rose + threaded lugs cc38mm, 41-49mm

14.1519.02.020



Half set 7x7mm, w/snap on cover rose cc30/38mm

14.1556.02.900

Half set 8x8mm, w/solid rose cc30mm

14.1511.02.900

Half set 8x8mm, w/solid rose cc38mm

14.1512.02.900

Half set 8x8mm, w/snap on cover rose cc30/38mm

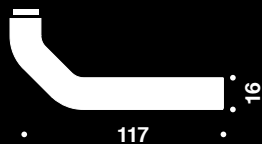
14.1516.02.900

Half set 8x8mm, w/snap on cover rose + threaded lugs cc38mm, M4 bush

14.1519.02.901

Half set 8x8mm, w/snap on cover rose + threaded lugs cc38mm, M4,5 bush

14.1519.02.902



Half set 7x7mm, w/o rose

14.1550.02.900

Half set 8x8mm, w/o rose

14.1510.02.900

EN1906:2010

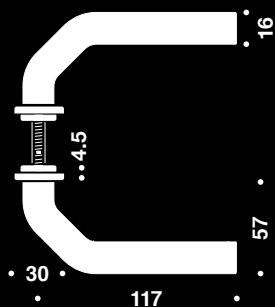


CLASS 4

**Lever LF shape 16mm**



## Lever LF shape 16mm



117

### Description

Pair 7x7mm, w/oval snap on cover rose cc50mm, 33-41mm

Pair 7x7mm, w/oval snap on cover rose cc50mm, 41-49mm

Pair 8x8mm, oval w/solid rose cc50mm, 33-41mm

Pair 8x8mm, oval w/solid rose cc50mm, 41-49mm

Pair 8x8mm, w/oval snap on cover rose cc50mm, 33-41mm

Pair 8x8mm, w/oval snap on cover rose cc50mm, 41-49mm

### Item number

14.1557.02.010

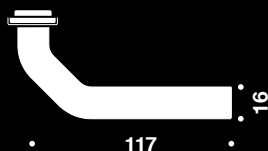
14.1557.02.020

14.1514.02.010

14.1514.02.020

14.1517.02.010

14.1517.02.020



117

Half set 7x7mm, w/oval snap on cover rose cc50mm

14.1557.02.900

Half set 8x8mm, oval w/solid rose cc50mm

14.1514.02.900

Half set 8x8mm, w/oval snap on cover rose cc50mm

14.1517.02.900

EN1906:2010

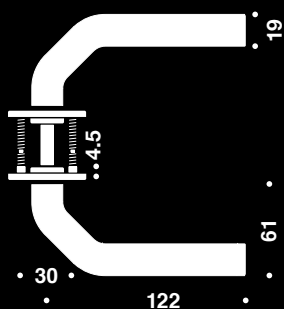


CLASS 4

**Lever LF shape 19mm**



## Lever LF shape 19mm



### Description

Pair 7x7mm, w/snap on cover rose cc30/38mm, 33-44mm  
 Pair 7x7mm, w/snap on cover rose cc30/38mm, 44-52mm

### Item number

14.2156.02.010  
 14.2156.02.020

Pair 8x8mm, w/solid rose cc30mm, 33-44mm  
 Pair 8x8mm, w/solid rose cc30mm, 44-52mm

14.2111.02.010  
 14.2111.02.020

Pair 8x8mm, w/solid rose cc38mm, 33-44mm  
 Pair 8x8mm, w/solid rose cc38mm, 44-52mm

14.2112.02.010  
 14.2112.02.020

Pair 8x8mm, w/snap on cover rose cc30/38mm, 33-44mm  
 Pair 8x8mm, w/snap on cover rose cc30/38mm, 44-52mm

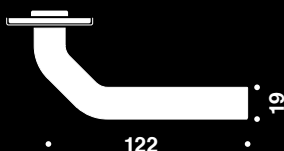
14.2116.02.010  
 14.2116.02.020

Pair 8x8mm, w/snap on cover rose + threaded lugs cc38mm, 33-44mm  
 Pair 8x8mm, w/snap on cover rose + threaded lugs cc38mm, 44-52mm

14.2119.02.010  
 14.2119.02.020

Pair 9x9mm, w/snap on cover rose cc38mm, 33-44mm  
 Pair 9x9mm, w/snap on cover rose cc38mm, 44-52mm

14.2136.02.010  
 14.2136.02.020



Half set 7x7mm, w/snap on cover rose cc30/38mm

14.2156.02.900

Half set 8x8mm, w/solid rose cc30mm  
 Half set 8x8mm, w/solid rose cc38mm

14.2111.02.900  
 14.2112.02.900

Half set 8x8mm, w/snap on cover rose cc30/38mm

14.2116.02.900

Half set 8x8mm, w/snap on cover rose + threaded lugs cc38mm, M4 bush  
 Half set 8x8mm, w/snap on cover rose + threaded lugs cc38mm, M4,5 bush

14.2119.02.901  
 14.2119.02.902

Half set 9x9mm, w/snap on cover rose cc38mm

14.2136.02.900

Half set 9x9mm, w/snap on cover rose + threaded lugs cc38mm, M4 bush  
 Half set 9x9mm, w/snap on cover rose + threaded lugs cc38mm, M4,5 bush

14.2139.02.901  
 14.2139.02.902



Half set 7x7mm, w/o rose

14.2150.02.900

Half set 8x8mm, w/o rose

14.2110.02.900

Half set 9x9mm, w/o rose

14.2130.02.900

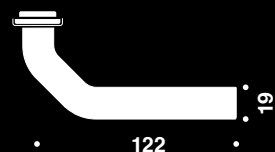
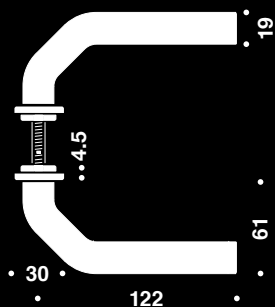


Lever approved  
 for fire doors  
 according to  
 DIN 18273

**Lever LF shape 19mm**



## Lever LF shape 19mm



### Description

Pair 7x7mm, w/oval snap on cover rose cc50mm, 33-44mm

Pair 7x7mm, w/ oval snap on cover rose cc50mm, 44-52mm

Pair 8x8mm, oval w/solid rose cc50mm, 33-44mm

Pair 8x8mm, oval w/solid rose cc50mm, 44-52mm

Pair 8x8mm, w/oval snap on cover rose cc50mm, 33-44mm

Pair 8x8mm, w/oval snap on cover rose cc50mm, 44-52mm

Pair 9x9mm, w/oval snap on cover rose cc50mm, 33-44mm

Pair 9x9mm, w/oval snap on cover rose cc50mm, 44-52mm

Half set 7x7mm, w/oval snap on cover rose cc50mm

Half set 8x8mm, oval w/solid rose cc50mm

Half set 8x8mm, w/oval snap on cover rose cc50mm

Half set 9x9mm, w/oval snap on cover rose cc50mm

### Item number

14.2157.02.010

14.2157.02.020

14.2114.02.010

14.2114.02.020

14.2117.02.010

14.2117.02.020

14.2137.02.010

14.2137.02.020

14.2157.02.900

14.2114.02.900

14.2117.02.900

14.2137.02.900



Lever approved  
for fire doors  
according to  
DIN 18273



# PRODUCT DOCUMENTATION



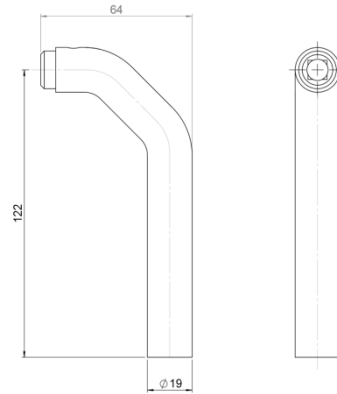
**Product Name:** Lever handle 19 LF half set 8x8 mm, w/o rose

**Article Number:** 14.2110.02.900  
*Satin stainless steel*  
16.2110.01.900  
*Polished stainless steel*

**Photo:**



**Drawing:**



**Product Information:**

Material: AISI 316 stainless steel  
Surface finish: Satin 320 grain or polished  
Material thickness/radius:  $\varnothing$ 19 mm  
Height: Width: Depth:  
19 mm 131.5 mm 64 mm

**Product Specification:**

d line 19 mm LF shaped lever handle, for 8x8 mm spindle, w/o rose, AISI 316 satin stainless steel.

d line 19 mm U shaped lever handle fire, for 8x8 mm spindle, w/o rose, AISI 316 polished stainless steel.

d line products are always produced in the highest quality stainless steel AISI 316. d line is a simple and functional design, but the minimalistic exterior hides advanced technic that ensures the hardware's strenght and durability for many years.

Certificate: EN 1906, Class 4  
Warranty: 20 years (non-mechanical/-electronic parts)

**Spare Parts/Accessories:**

Wide range of spindles and screws available  
14.9701.02.016 Grub screw M5x6,8  
14.2935.00.089 Fixing tool;

**Related Products:**

**Mounting:**

See instruction supplied with the product

**Packing:**

1 piece in a bag, 10 bags per box

**Maintenance:**

Wash down with mild detergent, rinse off with clean water, and dry off with soft dry cloth. Please do not use scouring powders, steel wool or aggressive cleaning products as these may damage the surface. If spots appear on the surface it is not due to the stainless steel, but to impurities in the environment or the use of aggressive cleaning agents.

**Environment:**

No environmental risk and no risk of fire.

# PRODUCT DOCUMENTATION



**Product Name:** Lever handle 19 LF half set 8x8 mm, oval snap on cover cc 50 mm

**Article Number:** 14.2117.02.900

*Satin stainless steel*

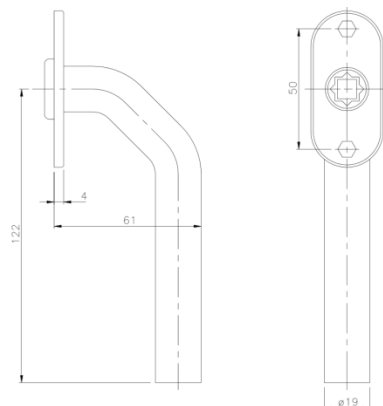
16.2117.01.900

*Polished stainless steel*

## Photo:



## Drawing:



## Product Information:

Material: AISI 316 stainless steel  
Surface finish: Satin 320 grain or polished  
Material thickness/radius: ø19 mm  
Height: Width: Depth:  
65 mm 147 mm 61 mm

## Product Specification:

d line 19 mm LF shaped lever handle, for 8x8 mm spindle, oval snap on cover cc 50, AISI 316 satin stainless steel.

d line 19 mm LF shaped lever handle fire, for 8x8 mm spindle, oval snap on cover, AISI 316 polished stainless steel.

d line products are always produced in the highest quality stainless steel AISI 316. d line is a simple and functional design, but the minimalistic exterior hides advanced technic that ensures the hardware's strenght and durability for many years.

Certificate: EN 1906, Class 4  
Warranty: 20 years (non-mechanical/-electronic parts)

## Spare Parts/Accessories:

Wide range of spindles and screws available  
14.9701.02.016 Grub screw M5x6,8  
14.2935.00.089 Fixing tool;

## Related Products:

14.2110.02.900 Lever handle 19LF half, 8x8 mm.  
14.2117.02.010 Lever handle 19LF pair, 8x8 mm, oval snap on cover cc 50.

## Mounting:

See instruction supplied with the product

## Packing:

1 piece in a bag, 10 bags per box

## Maintenance:

Wash down with mild detergent, rinse off with clean water, and dry off with soft dry cloth. Please do not use scouring powders, steel wool or aggressive cleaning products as these may damage the surface. If spots appear on the surface it is not due to the stainless steel, but to impurities in the environment or the use of aggressive cleaning agents.

## Environment:

No environmental risk and no risk of fire.