

PARIS

FRONT PLATE

FACE AVANT

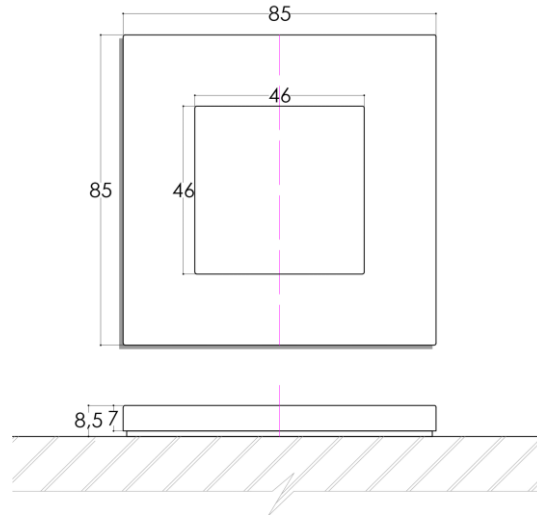
Description

Material : full brass.
 Windows opening : 1 module.

Caractéristiques

Matière : laiton massif.
 Fenêtre : 1 module.

Ref.	Finish	Finition	Effect	Effet
PPA001LM	Polished mirror brass	Laiton miroir	Shiny	Brillant
PPA001LB	Brushed brass	Laiton brossé	Matt	Mat
PPA001LS	Microbilled/satin brass	Laiton microbillé	Satin	Satin
PPA001VO	Antique/old gold	Vieil or	Matt	Mat
PPA001BM	Medium bronze	Bronze moyen	Matt	Mat
PPA001BR	Dark bronze	Bronze noir	Shiny	Brillant
PPA001BZ	Grey bronze	Bronze gris	Matt	Mat
PPA001NM	Polished mirror nickel	Nickel miroir	Shiny	Brillant
PPA001NB	Brushed nickel	Nickel brossé	Matt	Mat
PPA001NS	Microbilled/satin nickel	Nickel brossé	Matt	Mat
PPA001CH	Polished mirror chrome	Chrome miroir	Shiny	Brillant
PPA001RO	Brushed copper	Cuivre brossé	Matt	Mat
PPA001RA	RAL code 9003	RAL codes 9003	Matt	Mat
PPA001OR	24K gold	24K or	Shiny	Brillant
PPA001OM	24K microbilled gold	microbillé 24K or	Satin	Satin



PARIS

FRONT PLATE

FACE AVANT

Description

Material : full brass.

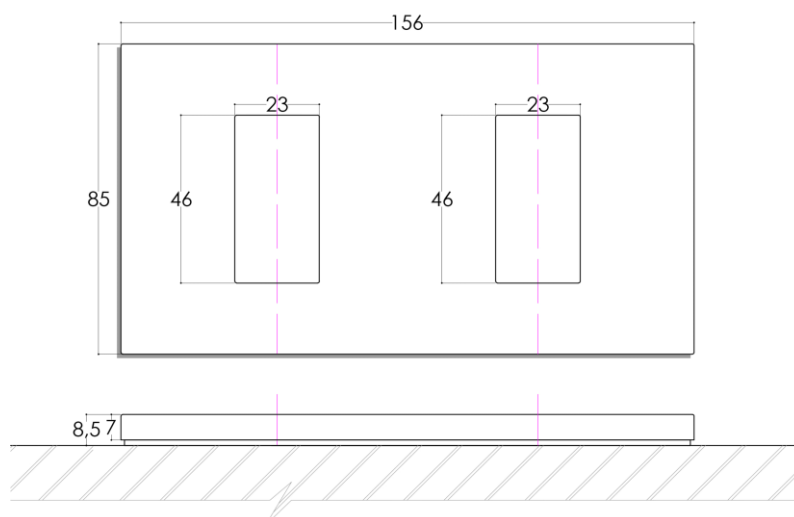
Windows opening : 2 modules.

Caractéristiques

Matière : laiton massif.

Fenêtre : 2 modules.

Ref.	Finish	Finition	Effect	Effet
PPA002LM	Polished mirror brass	Laiton miroir	Shiny	Brillant
PPA002LB	Brushed brass	Laiton brossé	Matt	Mat
PPA002LS	Microbilled/satin brass	Laiton microbillé	Satin	Satin
PPA002VO	Antique/old gold	Vieil or	Matt	Mat
PPA002BM	Medium bronze	Bronze moyen	Matt	Mat
PPA002BR	Dark bronze	Bronze noir	Shiny	Brillant
PPA002BZ	Grey bronze	Bronze gris	Matt	Mat
PPA002NM	Polished mirror nickel	Nickel miroir	Shiny	Brillant
PPA002NB	Brushed nickel	Nickel brossé	Matt	Mat
PPA002NS	Microbilled/satin nickel	Nickel brossé	Matt	Mat
PPA002CH	Polished mirror chrome	Chrome miroir	Shiny	Brillant
PPA002RO	Brushed copper	Cuivre brossé	Matt	Mat
PPA002RA	RAL code 9003	RAL codes 9003	Matt	Mat
PPA002OR	24K gold	24K or	Shiny	Brillant
PPA002OM	24K microbilled gold	microbillé 24K or	Satin	Satin



PARIS

FRONT PLATE

FACE AVANT

Description

Material : full brass.

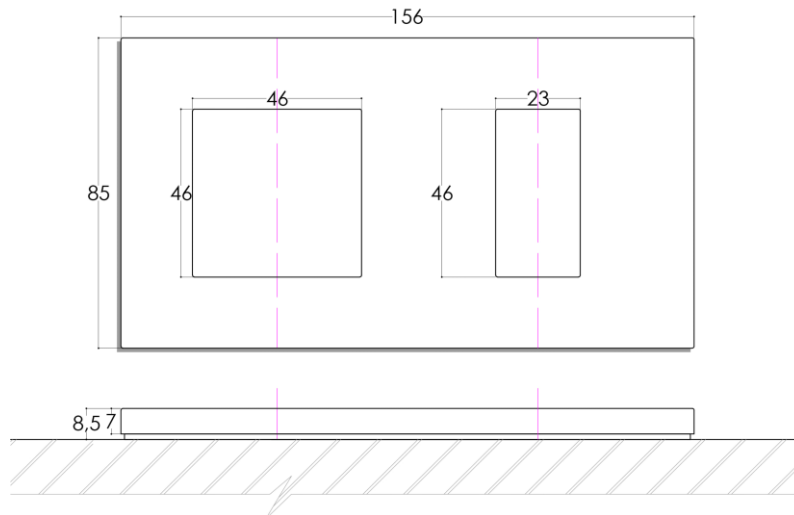
Windows opening : 1 module + 1 module.

Caractéristiques

Matière : laiton massif.

Fenêtre : 1 module + 1 module.

Ref.	Finish	Finition	Effect	Effet
PPA003LMH	Polished mirror brass	Laiton miroir	Shiny	Brillant
PPA003LBH	Brushed brass	Laiton brossé	Matt	Mat
PPA003LSH	Microbilled/satin brass	Laiton microbillé	Satin	Satin
PPA003VOH	Antique/old gold	Vieil or	Matt	Mat
PPA003BMH	Medium bronze	Bronze moyen	Matt	Mat
PPA003BRH	Dark bronze	Bronze noir	Shiny	Brillant
PPA003BZH	Grey bronze	Bronze gris	Matt	Mat
PPA003NMH	Polished mirror nickel	Nickel miroir	Shiny	Brillant
PPA003NBH	Brushed nickel	Nickel brossé	Matt	Mat
PPA003NSH	Microbilled/satin nickel	Nickel brossé	Matt	Mat
PPA003CHH	Polished mirror chrome	Chrome miroir	Shiny	Brillant
PPA003ROH	Brushed copper	Cuivre brossé	Matt	Mat
PPA003RAH	RAL code 9003	RAL codes 9003	Matt	Mat
PPA003ORH	24K gold	24K or	Shiny	Brillant
PPA003OMH	24K microbilled gold	microbillé 24K or	Satin	Satin



PARIS

FRONT PLATE

FACE AVANT

Description

Material : full brass.

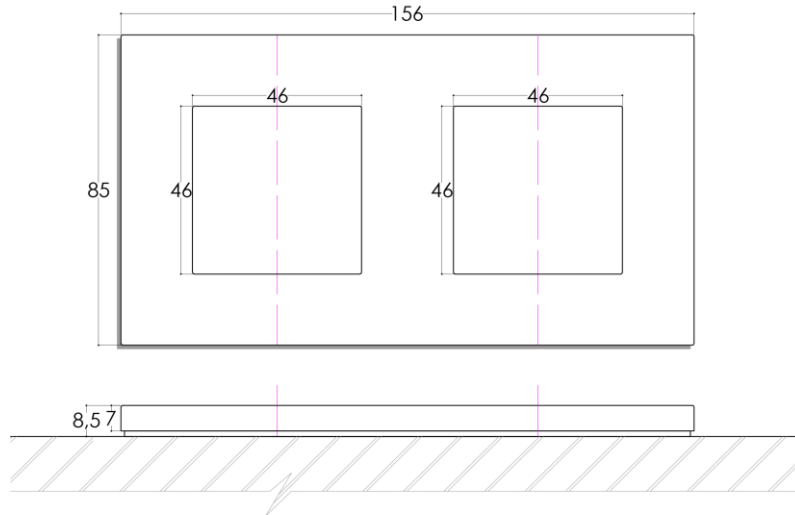
Windows opening : 2 modules + 1 module.

Caractéristiques

Matière : laiton massif.

Fenêtre : 2 modules + 1 module.

Ref.	Finish	Finition	Effect	Effet
PPA004LMH	Polished mirror brass	Laiton miroir	Shiny	Brillant
PPA004LBH	Brushed brass	Laiton brossé	Matt	Mat
PPA004LSH	Microbilled/satin brass	Laiton microbillé	Satin	Satin
PPA004VOH	Antique/old gold	Vieil or	Matt	Mat
PPA004BMH	Medium bronze	Bronze moyen	Matt	Mat
PPA004BRH	Dark bronze	Bronze noir	Shiny	Brillant
PPA004BZH	Grey bronze	Bronze gris	Matt	Mat
PPA004NMH	Polished mirror nickel	Nickel miroir	Shiny	Brillant
PPA004NBH	Brushed nickel	Nickel brossé	Matt	Mat
PPA004NSH	Microbilled/satin nickel	Nickel brossé	Matt	Mat
PPA004CHH	Polished mirror chrome	Chrome miroir	Shiny	Brillant
PPA004ROH	Brushed copper	Cuivre brossé	Matt	Mat
PPA004RAH	RAL code 9003	RAL codes 9003	Matt	Mat
PPA004ORH	24K gold	24K or	Shiny	Brillant
PPA004OMH	24K microbilled gold	microbillé 24K or	Satin	Satin



PARIS

FRONT PLATE

FACE AVANT

Description

Material : full brass.

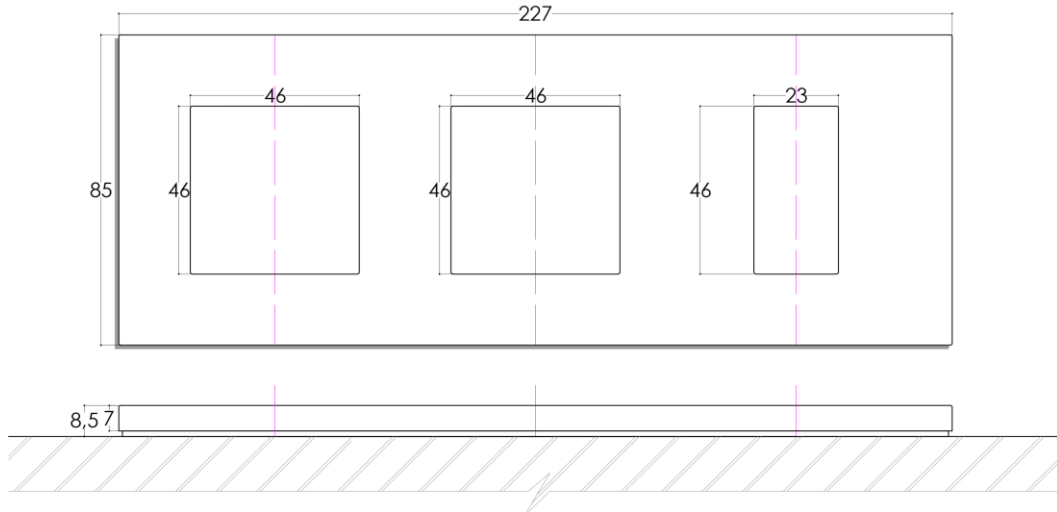
Windows opening : 2 modules + 2 modules.

Caractéristiques

Matière : laiton massif.

Fenêtre : 2 modules + 2 modules.

Ref.	Finish	Finition	Effect	Effet
PPA005LMH	Polished mirror brass	Laiton miroir	Shiny	Brillant
PPA005LBH	Brushed brass	Laiton brossé	Matt	Mat
PPA005LSH	Microbilled/satin brass	Laiton microbillé	Satin	Satin
PPA005VOH	Antique/old gold	Vieil or	Matt	Mat
PPA005BMH	Medium bronze	Bronze moyen	Matt	Mat
PPA005BRH	Dark bronze	Bronze noir	Shiny	Brillant
PPA005BZH	Grey bronze	Bronze gris	Matt	Mat
PPA005NMH	Polished mirror nickel	Nickel miroir	Shiny	Brillant
PPA005NBH	Brushed nickel	Nickel brossé	Matt	Mat
PPA005NSH	Microbilled/satin nickel	Nickel brossé	Matt	Mat
PPA005CHH	Polished mirror chrome	Chrome miroir	Shiny	Brillant
PPA005ROH	Brushed copper	Cuivre brossé	Matt	Mat
PPA005RAH	RAL code 9003	RAL codes 9003	Matt	Mat
PPA005ORH	24K gold	24K or	Shiny	Brillant
PPA005OMH	24K microbilled gold	microbillé 24K or	Satin	Satin



PARIS

FRONT PLATE

FACE AVANT

Description

Material : full brass.

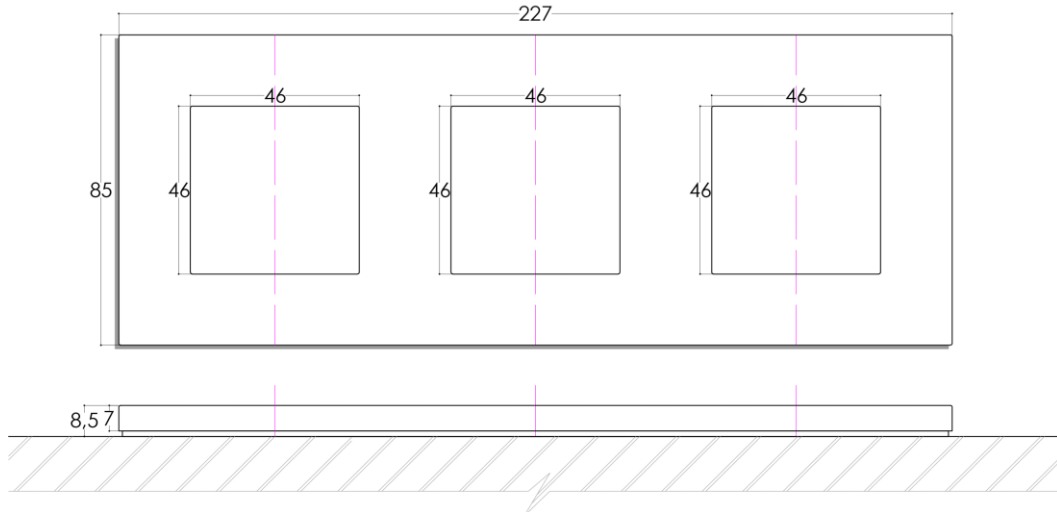
Windows opening : 2 modules + 2 modules + 1 module.

Caractéristiques

Matière : laiton massif.

Fenêtre : 2 modules + 2 modules + 1 module.

Ref.	Finish	Finition	Effect	Effet
PPA006LMH	Polished mirror brass	Laiton miroir	Shiny	Brillant
PPA006LBH	Brushed brass	Laiton brossé	Matt	Mat
PPA006LSH	Microbilled/satin brass	Laiton microbillé	Satin	Satin
PPA006VOH	Antique/old gold	Vieil or	Matt	Mat
PPA006BMH	Medium bronze	Bronze moyen	Matt	Mat
PPA006BRH	Dark bronze	Bronze noir	Shiny	Brillant
PPA006BZH	Grey bronze	Bronze gris	Matt	Mat
PPA006NMH	Polished mirror nickel	Nickel miroir	Shiny	Brillant
PPA006NBH	Brushed nickel	Nickel brossé	Matt	Mat
PPA006NSH	Microbilled/satin nickel	Nickel brossé	Matt	Mat
PPA006CHH	Polished mirror chrome	Chrome miroir	Shiny	Brillant
PPA006ROH	Brushed copper	Cuivre brossé	Matt	Mat
PPA006RAH	RAL code 9003	RAL codes 9003	Matt	Mat
PPA006ORH	24K gold	24K or	Shiny	Brillant
PPA006OMH	24K microbilled gold	microbillé 24K or	Satin	Satin



PARIS

FRONT PLATE

FACE AVANT

Description

Material : full brass.

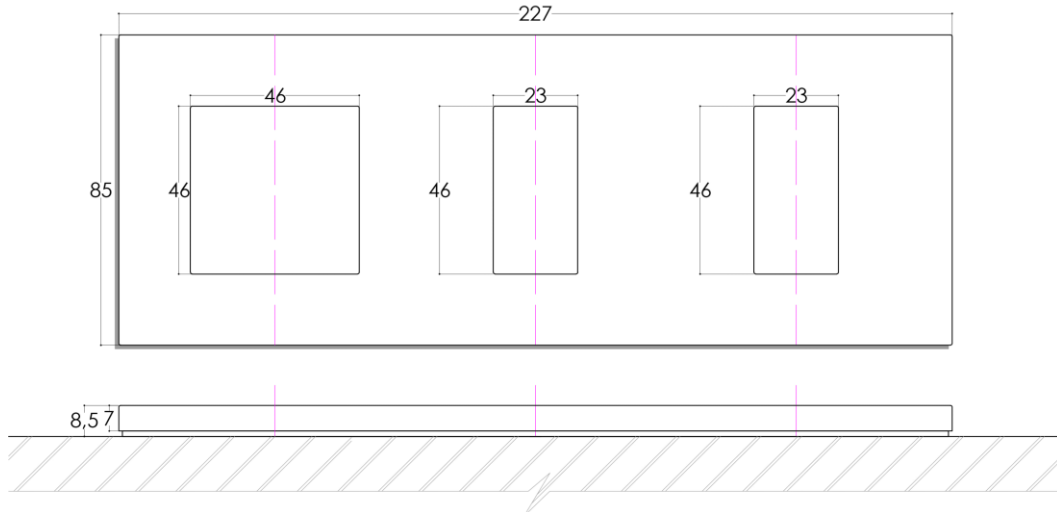
Windows opening : 2 modules + 2 modules + 2 modules.

Caractéristiques

Matière : laiton massif.

Fenêtre : 2 modules + 2 modules + 2 modules.

Ref.	Finish	Finition	Effect	Effet
PPA007LMH	Polished mirror brass	Laiton miroir	Shiny	Brillant
PPA007LBH	Brushed brass	Laiton brossé	Matt	Mat
PPA007LSH	Microbilled/satin brass	Laiton microbillé	Satin	Satin
PPA007VOH	Antique/old gold	Vieil or	Matt	Mat
PPA007BMH	Medium bronze	Bronze moyen	Matt	Mat
PPA007BRH	Dark bronze	Bronze noir	Shiny	Brillant
PPA007BZH	Grey bronze	Bronze gris	Matt	Mat
PPA007NMH	Polished mirror nickel	Nickel miroir	Shiny	Brillant
PPA007NBH	Brushed nickel	Nickel brossé	Matt	Mat
PPA007NSH	Microbilled/satin nickel	Nickel brossé	Matt	Mat
PPA007CHH	Polished mirror chrome	Chrome miroir	Shiny	Brillant
PPA007ROH	Brushed copper	Cuivre brossé	Matt	Mat
PPA007RAH	RAL code 9003	RAL codes 9003	Matt	Mat
PPA007ORH	24K gold	24K or	Shiny	Brillant
PPA007OMH	24K microbilled gold	microbillé 24K or	Satin	Satin



PARIS

FRONT PLATE

FACE AVANT

Description

Material : full brass.

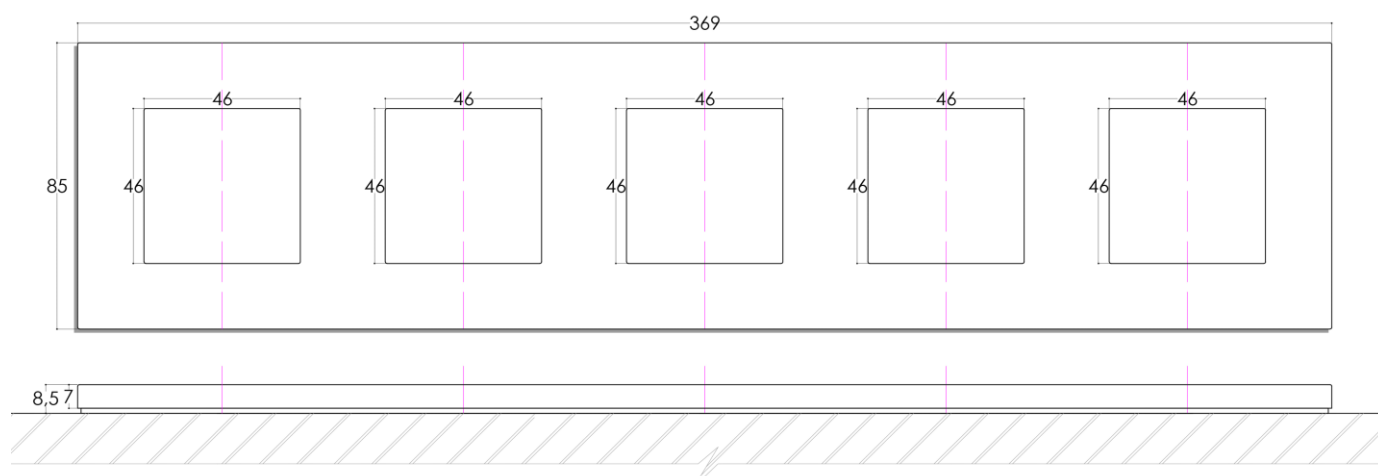
Windows opening : 2 modules + 1 module + 1 module.

Caractéristiques

Matière : laiton massif.

Fenêtre : 2 modules + 1 module + 1 module.

Ref.	Finish	Finition	Effect	Effet
PPA010LMH	Polished mirror brass	Laiton miroir	Shiny	Brillant
PPA010LBH	Brushed brass	Laiton brossé	Matt	Mat
PPA010LSH	Microbilled/satin brass	Laiton microbillé	Satin	Satin
PPA010VOH	Antique/old gold	Vieil or	Matt	Mat
PPA010BMH	Medium bronze	Bronze moyen	Matt	Mat
PPA010BRH	Dark bronze	Bronze noir	Shiny	Brillant
PPA010BZH	Grey bronze	Bronze gris	Matt	Mat
PPA010NMH	Polished mirror nickel	Nickel miroir	Shiny	Brillant
PPA010NBH	Brushed nickel	Nickel brossé	Matt	Mat
PPA010NSH	Microbilled/satin nickel	Nickel brossé	Matt	Mat
PPA010CHH	Polished mirror chrome	Chrome miroir	Shiny	Brillant
PPA010ROH	Brushed copper	Cuivre brossé	Matt	Mat
PPA010RAH	RAL code 9003	RAL codes 9003	Matt	Mat
PPA010ORH	24K gold	24K or	Shiny	Brillant
PPA010OMH	24K microbilled gold	microbillé 24K or	Satin	Satin



PARIS

FRONT PLATE

FACE AVANT

Description

Material : full brass.

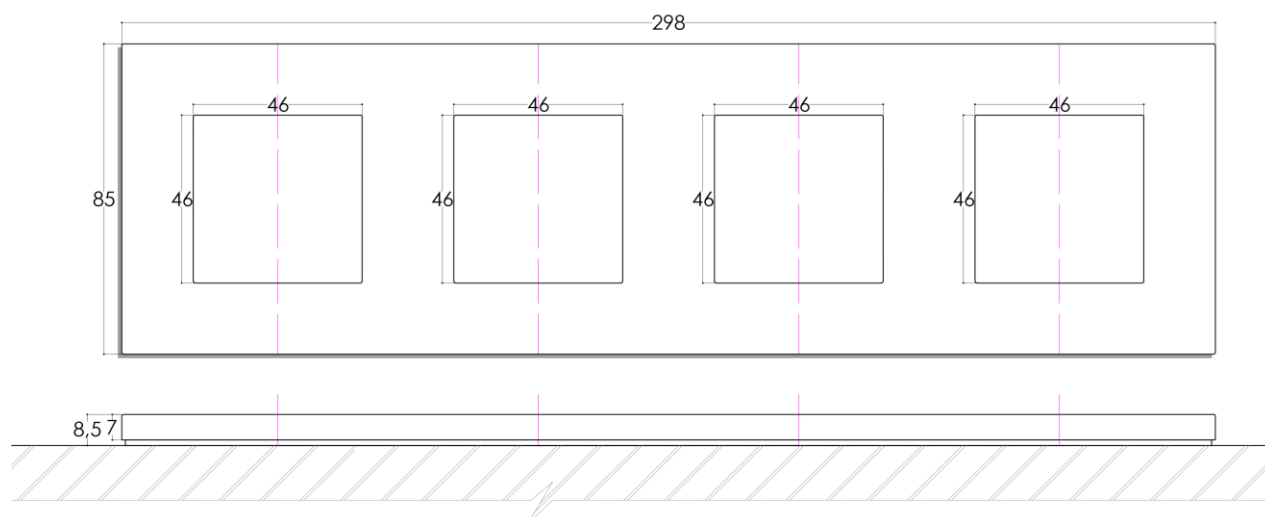
Windows opening : 2 modules + 2 modules + 2 modules + 2 modules + 2 modules.

Caractéristiques

Matière : laiton massif.

Fenêtre : 2 modules + 2 modules + 2 modules + 2 modules + 2 modules.

Ref.	Finish	Finition	Effect	Effet
PPA080LMH	Polished mirror brass	Laiton miroir	Shiny	Brillant
PPA080LBH	Brushed brass	Laiton brossé	Matt	Mat
PPA080LSH	Microbilled/satin brass	Laiton microbillé	Satin	Satin
PPA080VOH	Antique/old gold	Vieil or	Matt	Mat
PPA080BMH	Medium bronze	Bronze moyen	Matt	Mat
PPA080BRH	Dark bronze	Bronze noir	Shiny	Brillant
PPA080BZH	Grey bronze	Bronze gris	Matt	Mat
PPA080NMH	Polished mirror nickel	Nickel miroir	Shiny	Brillant
PPA080NBH	Brushed nickel	Nickel brossé	Matt	Mat
PPA080NSH	Microbilled/satin nickel	Nickel brossé	Matt	Mat
PPA080CHH	Polished mirror chrome	Chrome miroir	Shiny	Brillant
PPA080ROH	Brushed copper	Cuivre brossé	Matt	Mat
PPA080RAH	RAL code 9003	RAL codes 9003	Matt	Mat
PPA080ORH	24K gold	24K or	Shiny	Brillant
PPA080OMH	24K microbilled gold	microbillé 24K or	Satin	Satin



PARIS

FRONT PLATE

FACE AVANT

Description

Material : full brass.

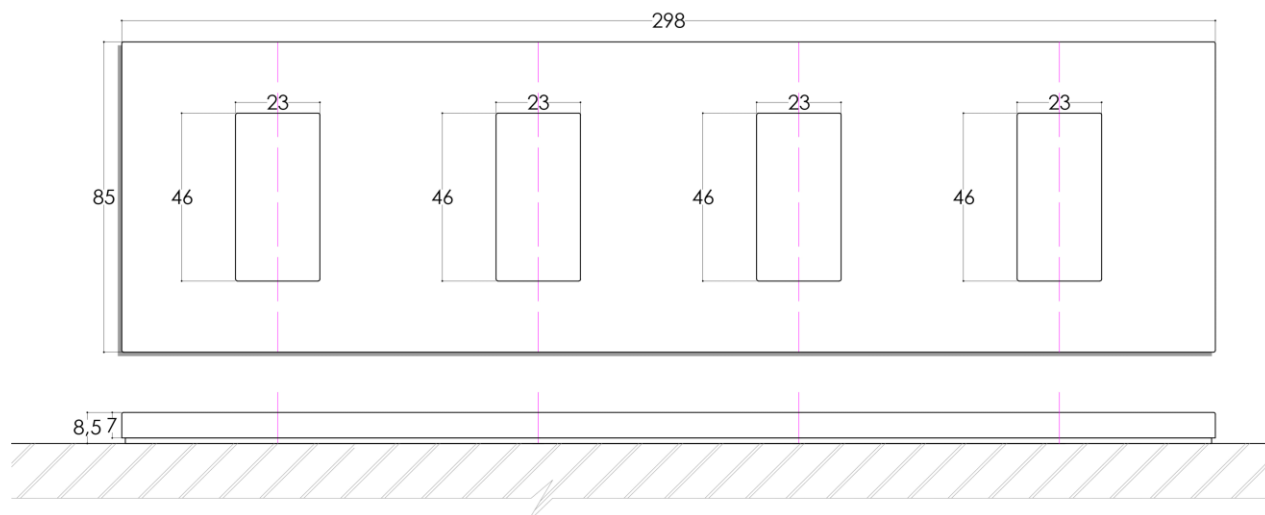
Windows opening : 2 modules + 2 modules + 2 modules + 2 modules.

Caractéristiques

Matière : laiton massif.

Fenêtre : 2 modules + 2 modules + 2 modules + 2 modules.

Ref.	Finish	Finition	Effect	Effet
PPA177LMH	Polished mirror brass	Laiton miroir	Shiny	Brillant
PPA177LBH	Brushed brass	Laiton brossé	Matt	Mat
PPA177LSH	Microbilled/satin brass	Laiton microbillé	Satin	Satin
PPA177VOH	Antique/old gold	Vieil or	Matt	Mat
PPA177BMH	Medium bronze	Bronze moyen	Matt	Mat
PPA177BRH	Dark bronze	Bronze noir	Shiny	Brillant
PPA177BZH	Grey bronze	Bronze gris	Matt	Mat
PPA177NMH	Polished mirror nickel	Nickel miroir	Shiny	Brillant
PPA177NBH	Brushed nickel	Nickel brossé	Matt	Mat
PPA177NSH	Microbilled/satin nickel	Nickel brossé	Matt	Mat
PPA177CHH	Polished mirror chrome	Chrome miroir	Shiny	Brillant
PPA177ROH	Brushed copper	Cuivre brossé	Matt	Mat
PPA177RAH	RAL code 9003	RAL codes 9003	Matt	Mat
PPA177ORH	24K gold	24K or	Shiny	Brillant
PPA177OMH	24K microbilled gold	microbillé 24K or	Satin	Satin



PARIS

FRONT PLATE

FACE AVANT

Description

Material : full brass.

Windows opening : 1 module + 1 module + 1 module + 1 module.

Caractéristiques

Matière : laiton massif.

Fenêtre : 1 module + 1 module + 1 module + 1 module.

Ref.	Finish	Finition	Effect	Effet
PPA179LMH	Polished mirror brass	Laiton miroir	Shiny	Brillant
PPA179LBH	Brushed brass	Laiton brossé	Matt	Mat
PPA179LSH	Microbilled/satin brass	Laiton microbillé	Satin	Satin
PPA179VOH	Antique/old gold	Vieil or	Matt	Mat
PPA179BMH	Medium bronze	Bronze moyen	Matt	Mat
PPA179BRH	Dark bronze	Bronze noir	Shiny	Brillant
PPA179BZH	Grey bronze	Bronze gris	Matt	Mat
PPA179NMH	Polished mirror nickel	Nickel miroir	Shiny	Brillant
PPA179NBH	Brushed nickel	Nickel brossé	Matt	Mat
PPA179NSH	Microbilled/satin nickel	Nickel brossé	Matt	Mat
PPA179CHH	Polished mirror chrome	Chrome miroir	Shiny	Brillant
PPA179ROH	Brushed copper	Cuivre brossé	Matt	Mat
PPA179RAH	RAL code 9003	RAL codes 9003	Matt	Mat
PPA179ORH	24K gold	24K or	Shiny	Brillant
PPA179OMH	24K microbilled gold	microbillé 24K or	Satin	Satin