

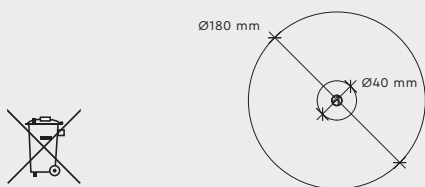
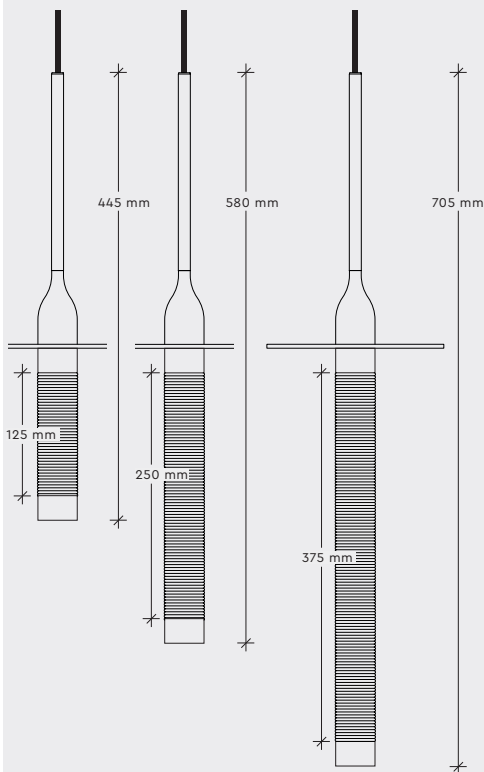


### BELL P Leather Skirt

The BELL P Leather Skirt pendant is part of the BELL Collection. A collection that includes a broad range of special designed products.

The BELL P Leather Skirt pendant is available in three different lengths. It consists of an aluminium or brass body with a beautiful hand-wrapped leather cord detail.

A honeycombs in the lamp-head prevent glaring.



The crossed-out wheeled bin symbol indicates that the item should be disposed of separately from household waste. The item should be handed in for recycling in accordance with local environmental regulations for waste disposal

For more information, please contact [info@onea.dk](mailto:info@onea.dk)

# BELL P LEATHER SKIRT D2W

## DATA

Collection	BELL
Product	Bell P Leather Skirt
Article no.	1A15.6040.xxyy01.zz (Bell P Leather125 Skirt) 1A15.6041.xxyy01.zz (Bell P Leather250 Skirt) 1A15.6042.xxyy01.zz (Bell P Leather375 Skirt)

## SPECIFICATIONS

Weight	0,9 – 1,7 kg
Materials	Aluminium / Brass
IP protection grade	IP20
Labelling	CE
Safety distance	0,3m
Insulation class	Class III
Light source	LED Constant Current (light source included) For IES/LDT lux files review – LUX FILES >
Supply	5W   17V   270mA
Lens	24°
CCT	3000–2000K
Energy Classifications	5W   17V   270mA



## ADDITIONAL REQUIREMENTS

Driver (remote)	review CONFIGURATION >
	This product shall always be powered by SELV LED driver, output voltage of this driver in open circuit must not exceed 60V. Do NOT cover the LED driver

## OPTIONAL ACCESSORIES

- 1A00.0500.XX – Storm Small Output
- 1A01.0500.XX – Storm Medium Output

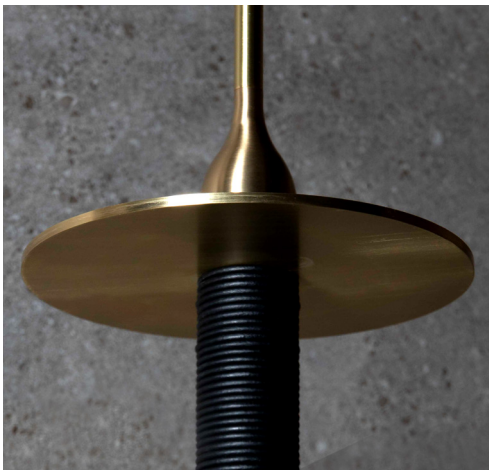
Canopy (driver included) 1A13.6543.xx16 – Canopy C120 CC D2W PC >

## NOTE

The light source contained in the fixture must only be replaced by the manufactures.

If the external flexible cable is damaged, it MUST be replaced by a special cable exclusively available from the manufacture.

Weathered Brass and Brass Waxed finishes come with a black textile cable. The remaining finishes come with a grey textile cable.







# BELL P LEATHER SKIRT

## COLOUR CODES

### XX - CODES alu/brass

-  01 - White Grey Fabric cable
-  92 - Black Pearl Grey Fabric cable
-  08 - Mouse Grey Grey Fabric cable
-  38 - Brass Waxed Black Fabric cable
-  37 - Weathered Brass Black Fabric cable

### ZZ - CODES leather

-  92 - Black Leather
-  94 - Tan Leather Please note - variations will occur!
-  95 - Dark Brown Leather
-  96 - Green Leather

## IMPORTANT INFORMATION

Installation and mounting must be performed by a certified electrician only, and instructions must be followed.

Always make sure the main power is off during installation. Pay attention to the fixture remarks, and always make sure to use the correct voltage.

## CLEANING AND MAINTENANCE:

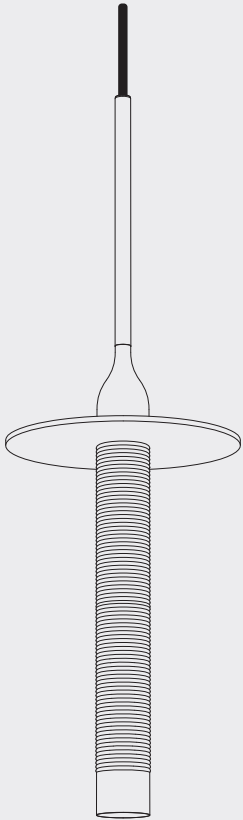
Use a soft moist cloth for cleaning. No further maintenance is required.

## WARRANTY:

If the product is defect, please contact your supplier immediately. Please note that warranty will not apply in case of wrongful use or if unskilled personnel attempts to repair.

## COMPONENTS

- Bell P Leather Skirt



# BELL P LEATHER SKIRT

## ASSEMBLY INSTRUCTION

### STEP 1

Connect the cables

Please refer to Storm Output/Canopy assembly instructions or other outlet

Make sure to obtain cable strain relief, check power outlet for instructions.

### WARNING!

Fixture is low voltage.

Follow the label instructions (+/-) for connection to power supply

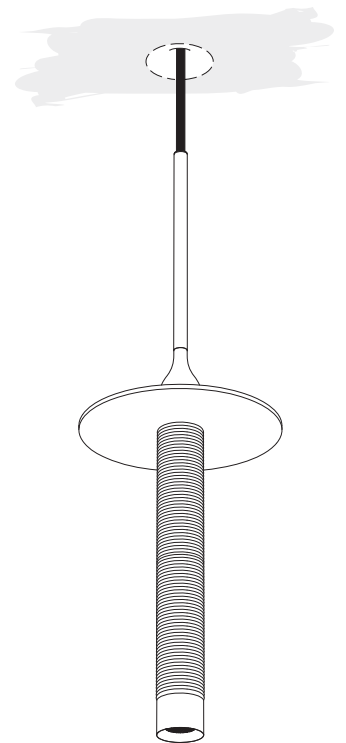
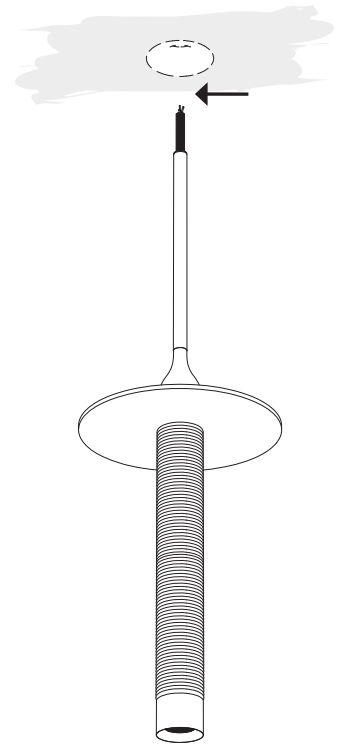


### PLEASE NOTE:

Wire colour can variate.

+ (plus) Brown/Red/White

- (minus) Blue/Black



#### IMPORTANT INFORMATION

Disassembly must be performed by a certified electrician only, and instructions must be followed.

#### WARRANTY:

If the product is defect, please contact your supplier immediately. Please note that warranty will not apply in case of wrongful use or if unskilled personnel attempts to repair.

## BELL P LEATHER SKIRT

### DISASSEMBLY INSTRUCTION

#### STEP 1

Disconnect the cables

Please refer to Storm Output assembly instructions or other outlet

