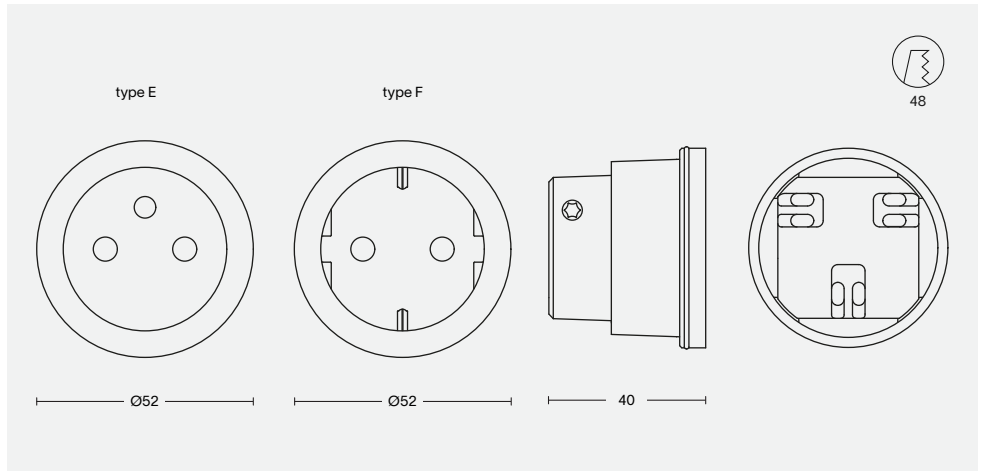


rond 2.0 multifit socket type E / F



socket specs

application	16A / 250V	
flush-mounting depth	55 mm	
wire stripping length	13.8 mm	
wire capacity	up to 4 x 2.5 mm ² per terminal	
wire fixation	screw terminals (TX8)	
ambient temperature	-5 till +40°C	
IP, IK rating	IP21-D	IK06
marking	CE	

mounting dimensions

installation hole	Ø48
panel thickness	min. 8mm - max. 30 mm
flush mount countersink	Ø52.5 x 2mm depth (optional)

accessoires

installation

8800 - 2012	multifit holder
8800 - 2010	removal tool

order number

	type E		type F	
	black cup	white cup	black cup	white cup
cover ring				
black ano	8800 - 2038	-	8888 - 9038	-
white struc	-	8800 - 2039	-	8888 - 9039
brushed nickel	8800 - 2046	8800 - 2040	8888 - 9046	8888 - 9040
brushed brass	8800 - 2047	8800 - 2041	8888 - 9047	8888 - 9041
light bronze	8800 - 2048	8800 - 2042	8888 - 9048	8888 - 9042
dark bronze	8800 - 2049	8800 - 2043	8888 - 9049	8888 - 9043
canon de fusil light	8800 - 2050	8800 - 2044	8888 - 9050	8888 - 9044
canon de fusil dark	8800 - 2051	8800 - 2045	8888 - 9051	8888 - 9045