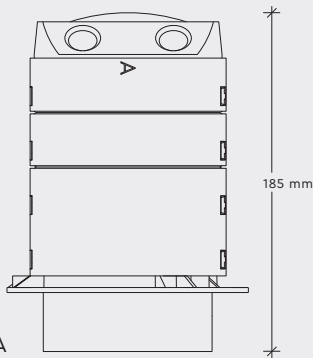


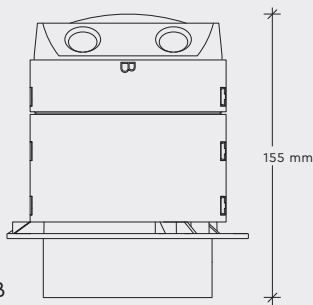
## STORM SYSTEM®

Storm Medium Cabinet Concrete is an accessory for STORM SYSTEM® MEDIUM fixtures. It is designed to make it possible to integrate the STORM SYSTEM® MEDIUM in concrete ceilings.

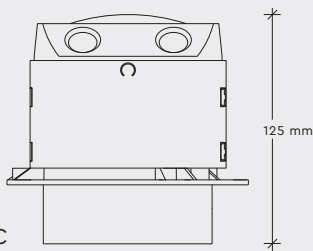
The Storm Medium Concrete Cabinet is available in three heights, and if your installation depth is limited you can choose either height B or C. The minimum height will depend on your chosen product/light engine.



HEIGHT A



HEIGHT B



HEIGHT C



# STORM MEDIUM CONCRETE CABINET

## DATA

Collection	STORM SYSTEM®
Product	Storm Medium Concrete Cabinet
Article no.	1A01.0082.xx – height A 1A01.0083.xx – height B 1A01.0084.xx – height C

Refer to the installation depth table on the following page to determine the appropriate height option of the Cabinet Universal (in regards to the product and additional light engine)

## SPECIFICATIONS

Weight	33,5 g – 37,5 g
Material	Polycarbonate
IP protection grade	IP44
Wiring capacity	0,5–2,5mm <sup>2</sup>   AWG 20–14
Approvals	CE
Cabling	Installation cable 90°C
Fixture finish	For xx-codes review STORM SYSTEM® – COLOUR CODES >

## CABLE CONNECTION

Included: Rubber grommet

Optional: • Cable gland M16

(not included  
- available in  
local stores)

• Conduit Ø16



## NOTE

With Low Voltage light engines, LED Driver must be placed remotely. Storm Medium Concrete Cabinet cannot house the LED driver.

## OPTIONAL ACCESSORY

Storm Medium Recess Plug – custom accessory

If applied, the Storm Medium Recess Plug replaces the Storm S Base. Before installation, remove the spring from the Storm S Base, and add it to the Storm Medium Recess plug, then follow the assembly instructions.

The custom recess plug requires concrete form oil in order to optimize release of the form, this process must be clarified on site. It is crucial for the final result, that the assembly instructions have been followed.

It is recommended that a test cast is made, to ensure that all parties agree upon the final result.



# STORM MEDIUM CABINET CONCRETE

## INSTALLATION DEPTH

Revised 30.05.2023

SYSTEM →	MEDIUM															
LIGHT SOURCE ↓	BASE 25 1A01.0173.xx(yy)	SHORT 25 1A01.0141.xx(yy)	DIRECT 1A01.0104.xx(yy)	DIRECT 1A01.0114.xx(yy)	LONG 25 1A01.0142.xx(yy)	OUT 250 1A01.0105.xx(yy)	OUT 160 1A01.0160.xx(yy)	E27 1A01.0111.xx15	HOOK 1A01.0109.xx(yy)	MOON 1A01.0108.32(yy)	SUN 1A01.0113.32(yy)	PLUTO 1A01.0130.62(yy)	VENUS 1A01.0131.62(yy)	OUTPUT 1A01.0500.xx	MOTION 1A01.0201.xx	SMOKE RELAY 1A01.0476.xx
1AL20.27																
1AL20.30																
1AL20.DW																
1AL30.27****																
1AL30.30****																
1AL30.DW****																
1AL33.TW****																
1AL34.27****																
1AL34.30****																
1AL34.DW****																
1AL34.TW****																
1AL38.30****																
Included in product																
N/A																

xx Product colour category

yy Specific electrical rating

\*\*\*\* SEV driver required, external location is recommended

\*\*\*\*\* 1A01.0082.xx - Storm Medium Cabinet Concrete Height A is recommended

Installation depth dimensions are from lower edge of installation ring

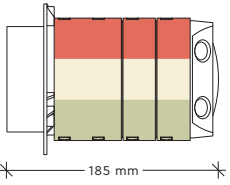
## HOW TO USE

1. Choose your Storm Medium fixture
2. Review the chart – colour indicates which Storm Medium Cabinet Concrete height option (A, B, C) is suitable

– with Storm Medium Back-Mounted Ring

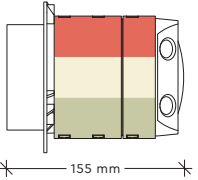
Height – A

1A01.0082.XX



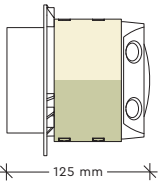
Height – B

1A01.0083.XX



Height – C

1A01.0084.XX



### IMPORTANT INFORMATION

Installation and mounting must be performed by skilled personnel only, and instructions must be followed.

### CLEANING AND MAINTENANCE:

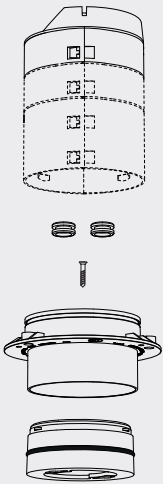
Use a soft moist cloth for cleaning. No further maintenance is required.

### WARRANTY:

If the product is defect, please contact your supplier immediately. Please note that warranty will not apply in case of wrongful use or if unskilled personnel attempts to repair.

### COMPONENTS

- Storm Medium Cabinet Concrete
- Cabinet (either height A, B or C)
- 2 rubber grommets
- 1 screw
- Storm Medium Back-Mounted Ring
- Storm Medium S Base



Watch installation video

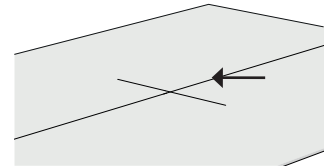


# STORM MEDIUM CABINET CONCRETE

## ASSEMBLY INSTRUCTION PAGE 1 OF 3

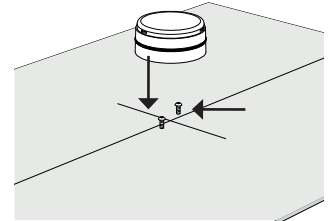
### STEP 1

Mark out on the underlay, where you want your installations to be.



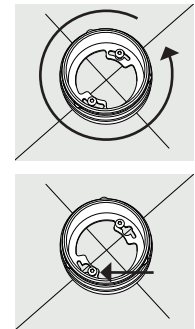
### STEP 2

Place the Storm S Base over the mark, and mark out the position for the screws. Then fasten the screws to the underlay



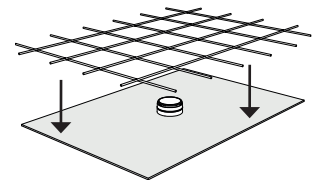
### STEP 3

Place the Storm S Base over the screws, rotate slightly and fasten the screws.



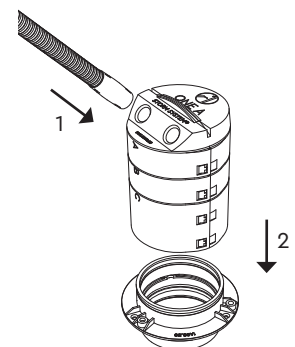
### STEP 4

Place the reinforcement mesh (if using this) over the Storm S Base.



### STEP 5

1. Fasten the cable conduit connection to the cabinets outlets
2. Click the Cabinet onto the Storm Medium Back-Mounted Ring. **MAKE SURE IT SNAPS!**



**IMPORTANT INFORMATION**

Installation and mounting must be performed by skilled personnel only, and instructions must be followed.

**CLEANING AND MAINTENANCE:**

Use a soft moist cloth for cleaning. No further maintenance is required.

**WARRANTY:**

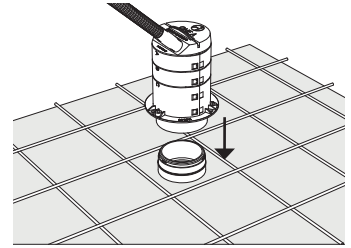
If the product is defect, please contact your supplier immediately. Please note that warranty will not apply in case of wrongful use or if unskilled personnel attempts to repair.

# STORM MEDIUM CABINET CONCRETE

## ASSEMBLY INSTRUCTION PAGE 2 OF 3

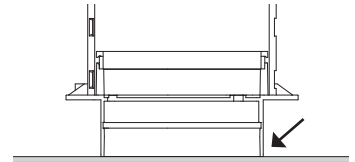
### STEP 6

Mount the Storm Medium Cabinet Concrete onto the Storm S Base



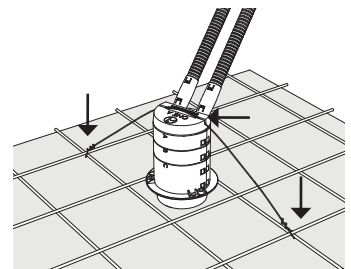
### STEP 7

Make sure that the two components are completely flush with the underlay.



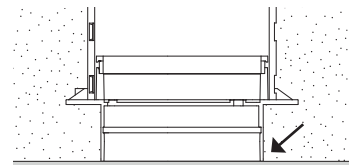
### STEP 8

Anchor the Storm Medium Cabinet Concrete to the reinforcement mesh.



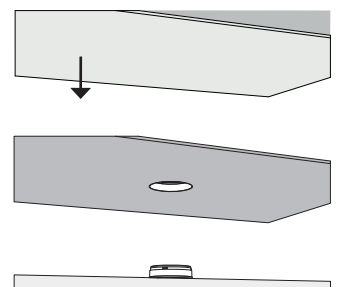
### STEP 9

Make sure that the concrete completely surrounds the Storm installation ring.



### STEP 10

When the concrete is dry pull down the underlay.



**IMPORTANT INFORMATION**

Installation and mounting must be performed by skilled personnel only, and instructions must be followed.

**CLEANING AND MAINTENANCE:**

Use a soft moist cloth for cleaning. No further maintenance is required.

**WARRANTY:**

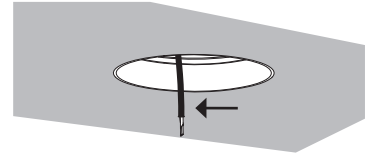
If the product is defect, please contact your supplier immediately. Please note that warranty will not apply in case of wrongful use or if unskilled personnel attempts to repair.

# STORM MEDIUM CABINET CONCRETE

## ASSEMBLY INSTRUCTION PAGE 3 OF 3

### STEP 11

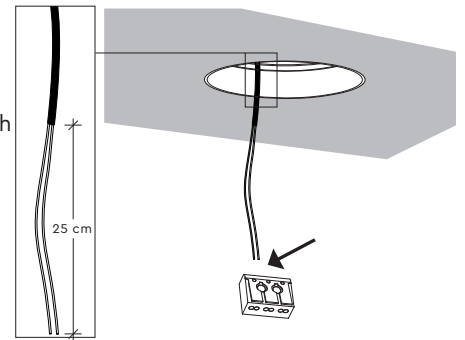
Feed the supply cable through the conduit and out through the Storm Medium Cabinet Concrete.



### STEP 12

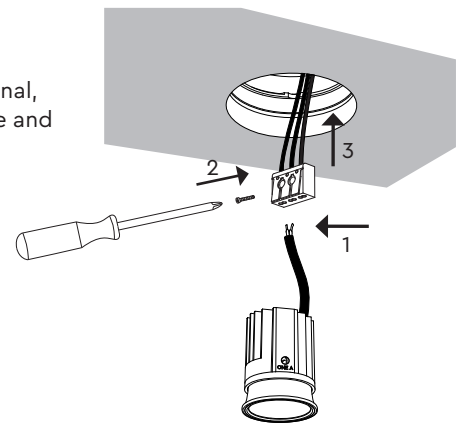
#### INSTALLATION OF A LIGHT FIXTURE

Due to accessibility after installation the cable must be stripped to a length of 25cm, and then connected to the terminal which accompanies the light fixture



### STEP 13

Connect the light engine to the terminal, then mount the terminal back in place and secure the screw.



### NOTE

Guide the cables along the edge, then secure the terminal to the top with the accompanying screw.

