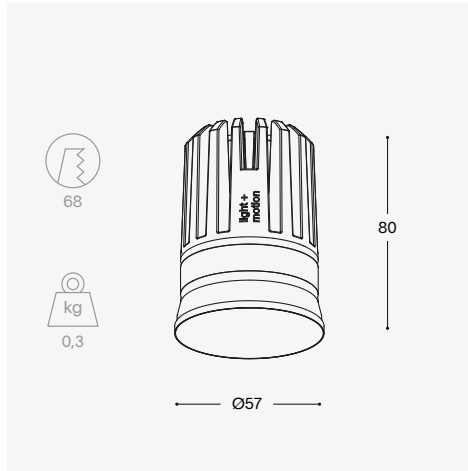
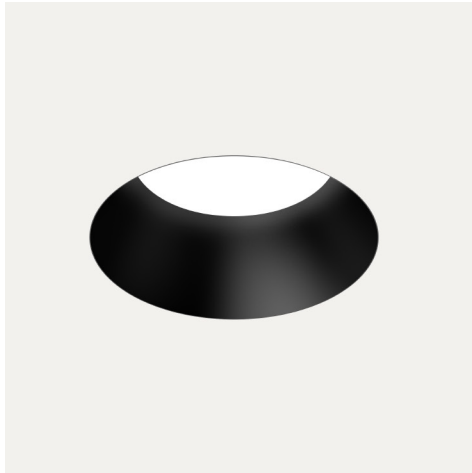


light + motion trimless



light specs

lamp	LED
optics	diffusor
driver	excluded
IP	↑ 20
CRI	90+
class	III

motion specs

motion detector	passive infrared sensor (PIR)
detection angle	h 360 v 100
light sensor	integrated
master / slave	integrated
adjustability	time - sens - lux
other	patents pending

accessoires

installation

8000 - 0003	plaster ring Ø57
8000 - 0013	clt csc ring Ø57
8000 - 2174	master slave connector
8000 - 2175	external potential-free relay

drivers

8000 - 0029	48V driver 15W constant voltage
8000 - 0024	48V driver 70W constant voltage
8000 - 0025	48V driver 150W constant voltage

luminaire output

	2700K	3000K	
48V (8.2W)	550 lm	550 lm	(black ano)
48V (8.2W)	700 lm	700 lm	(white struc)

order number

	2700K	3000K
black ano.	8000 - 2150	8000 - 2151
white struc.	8000 - 2158	8000 - 2159