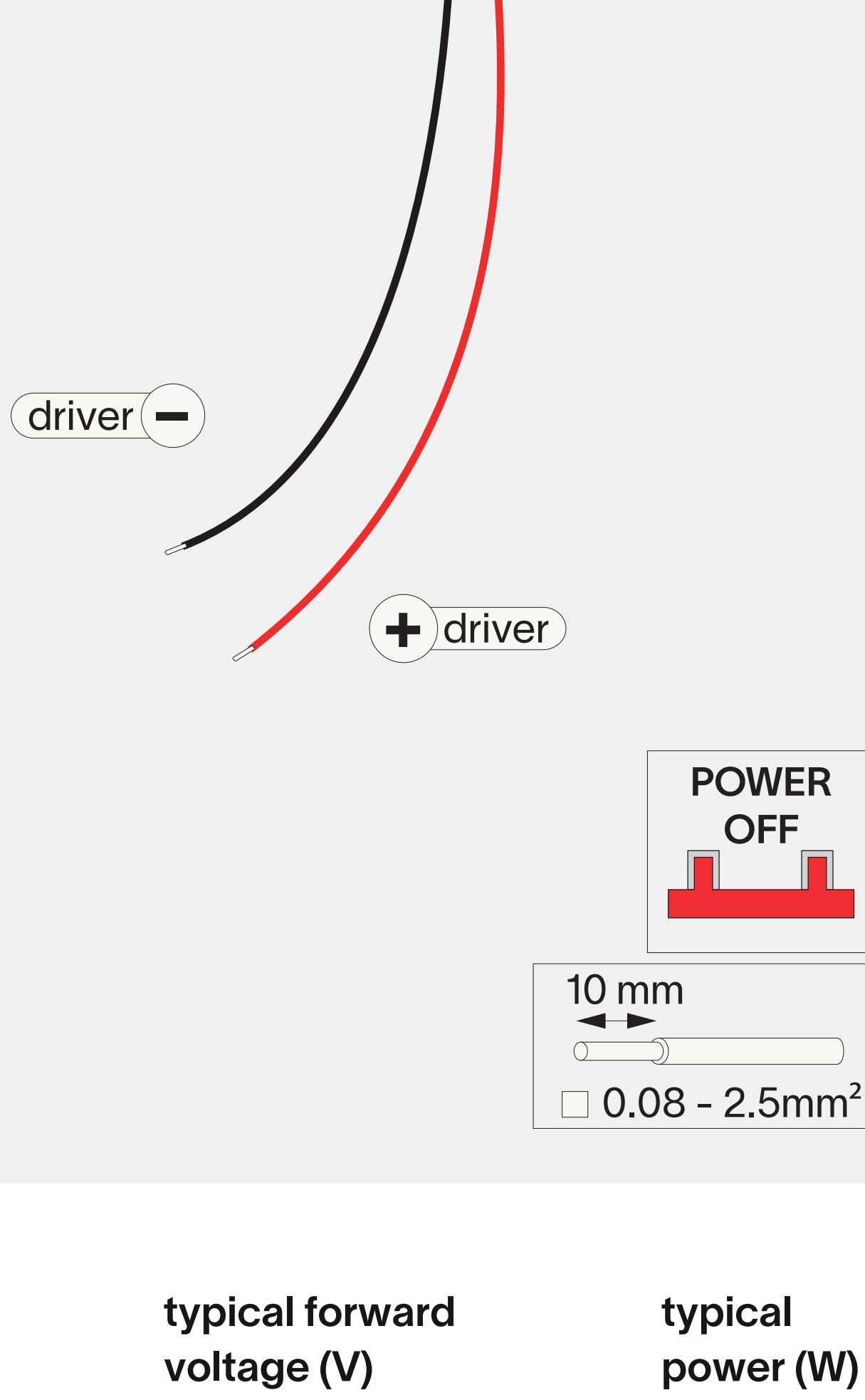


surface

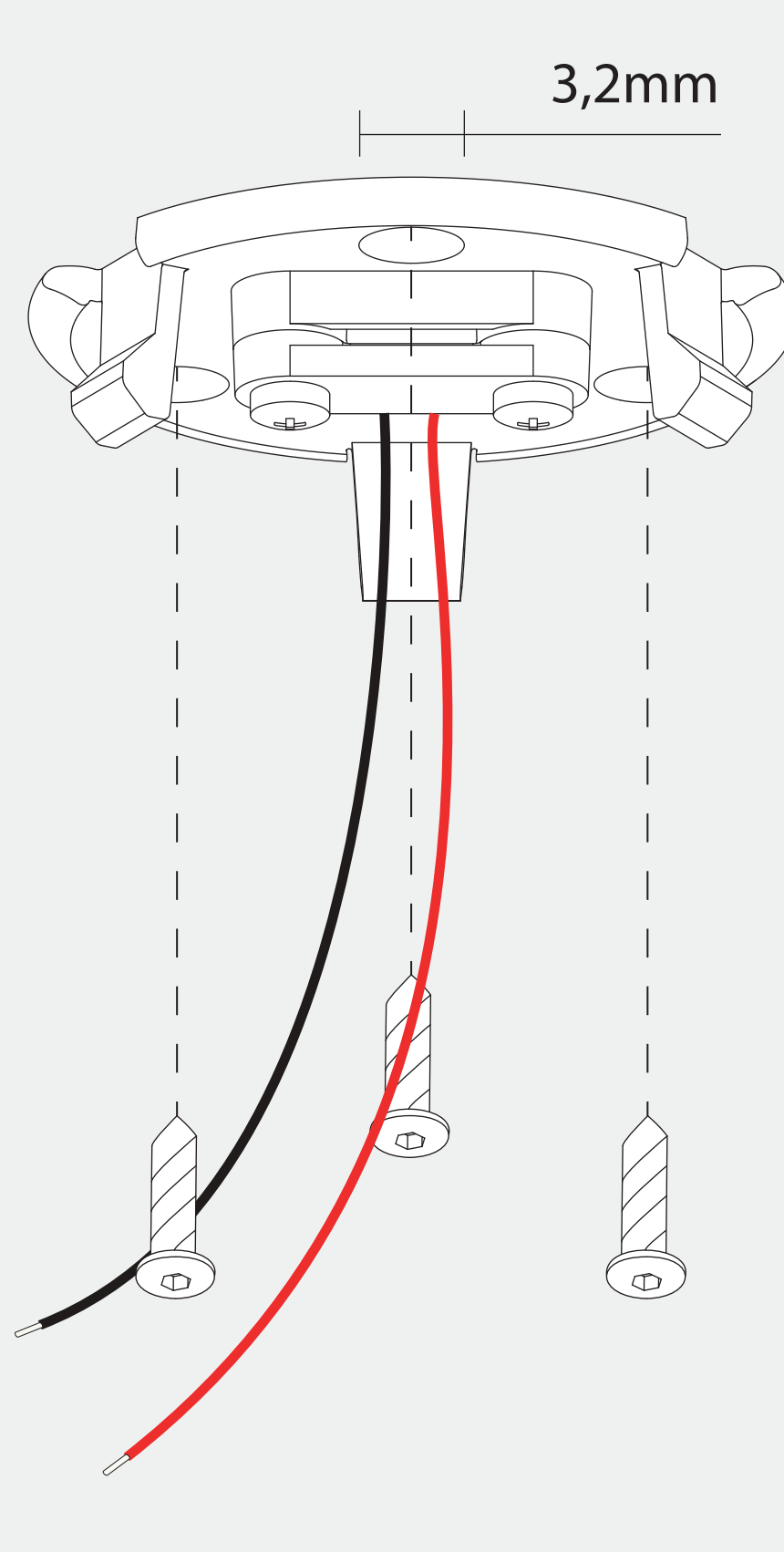
installation instruction

1



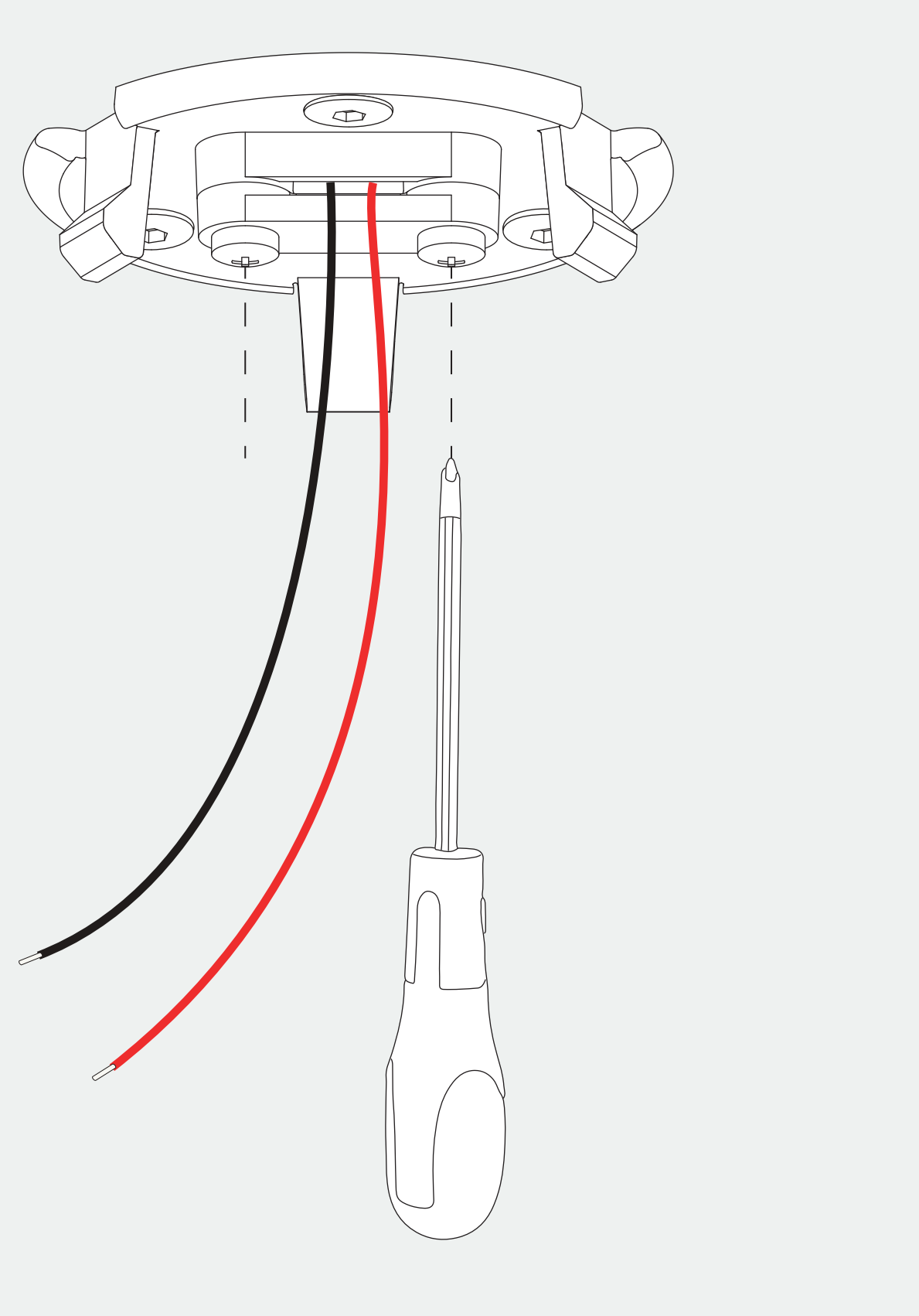
constant current (mA)	typical forward voltage (V)	typical power (W)
350	16,9	5,9
500	17,4	8,7
700	18,2	12,7
850	18,5	15,7

2



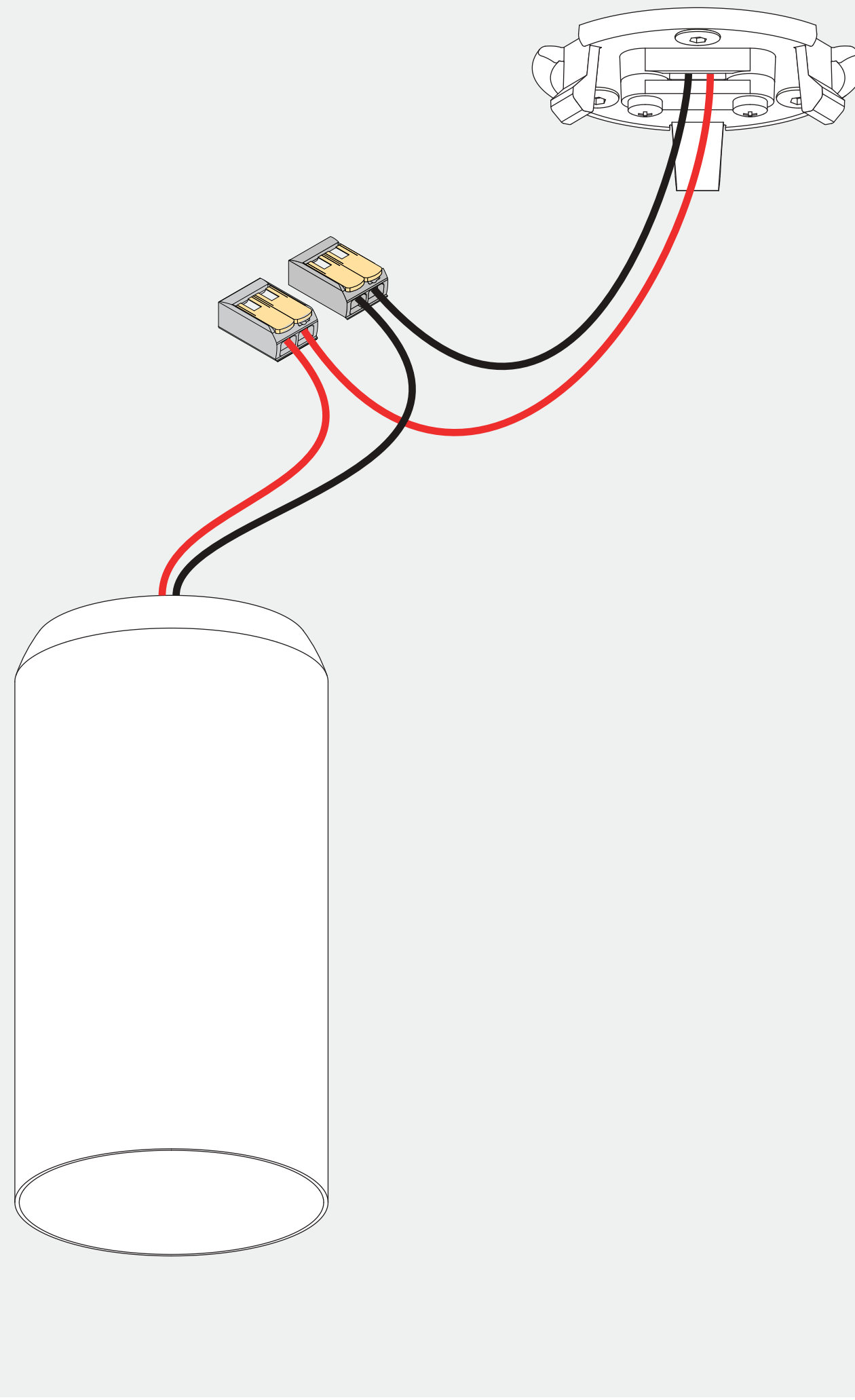
fix the mounting plate on the ceiling with appropriate screws

3



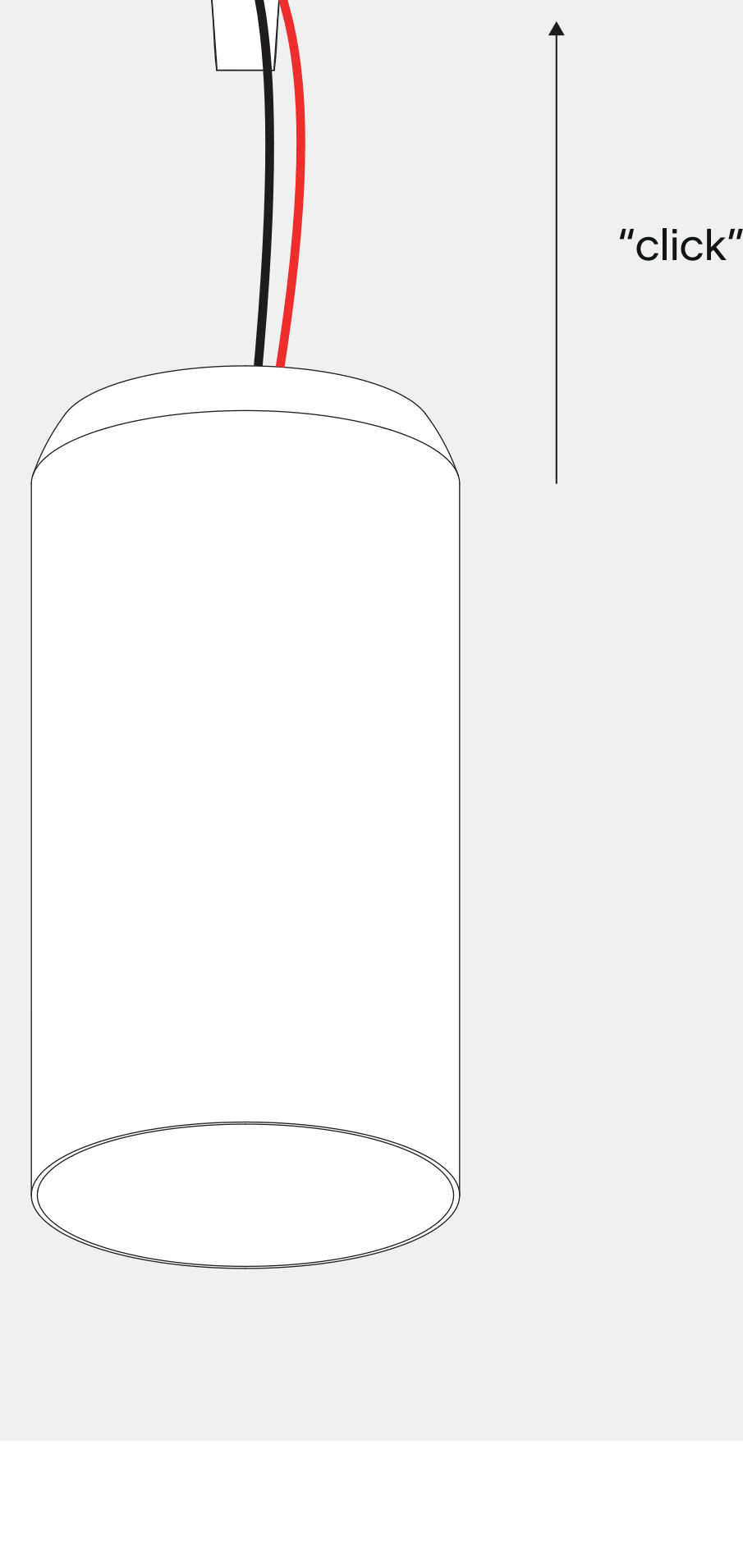
tighten the wires through the strain relief and cut off the excess wire

4



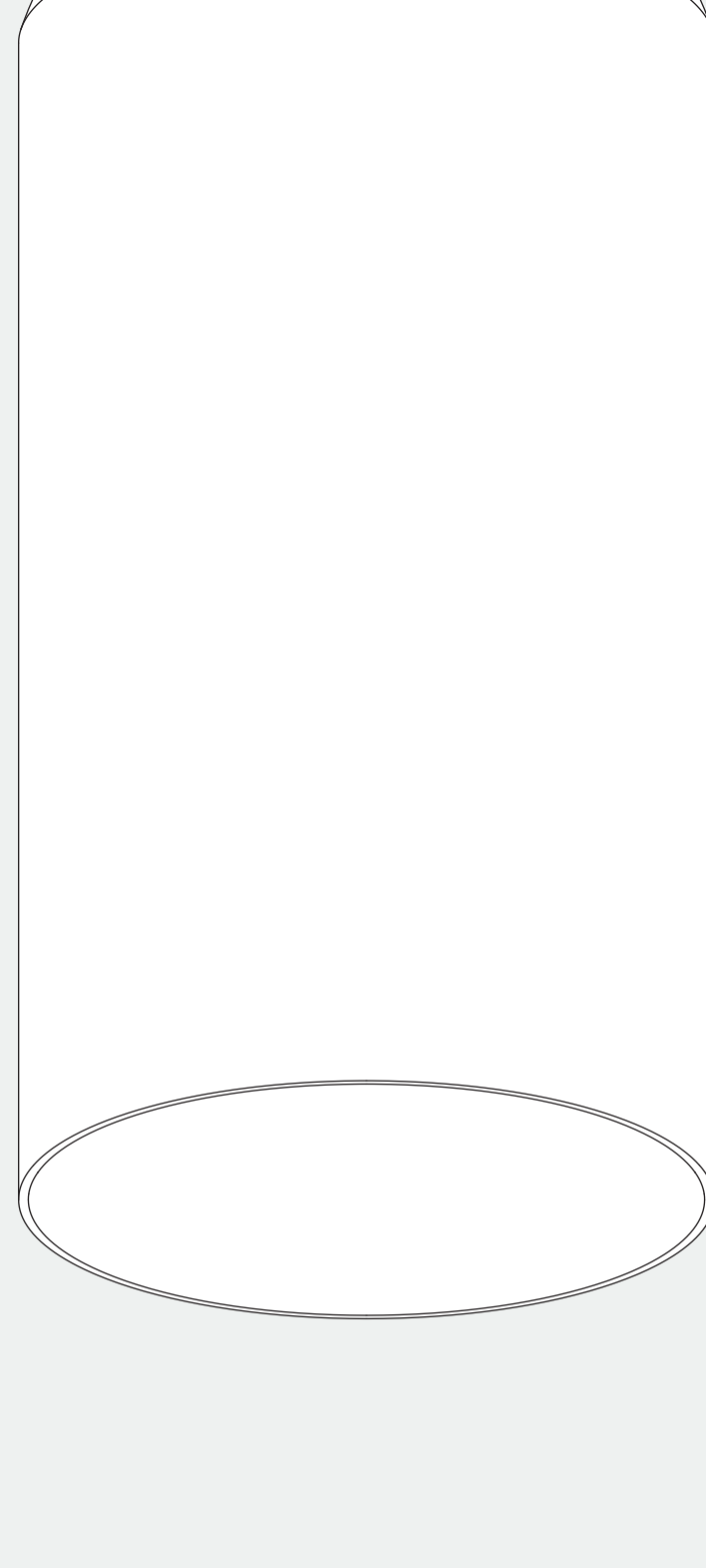
connect the wires with the wago connectors for serial connection, respect polarity combine with a prado LED-driver

5



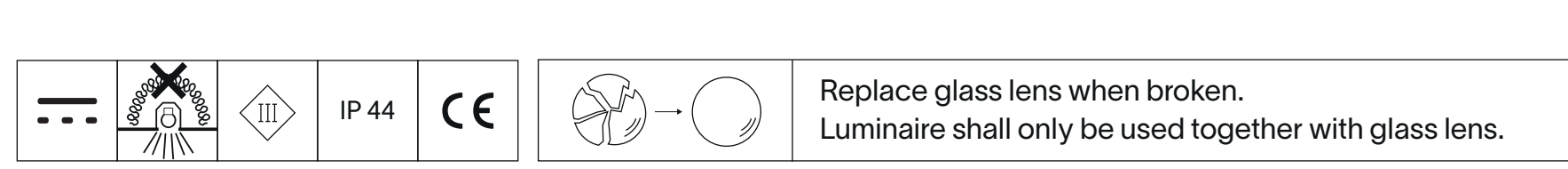
click the luminaire onto the connection plate

6



POWER ON

thank you for choosing prado



Replace glass lens when broken. Luminaire shall only be used together with glass lens.