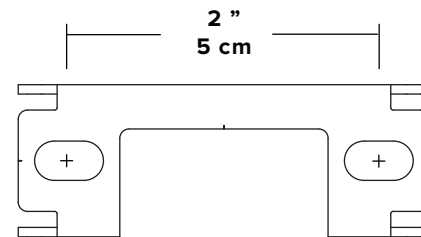
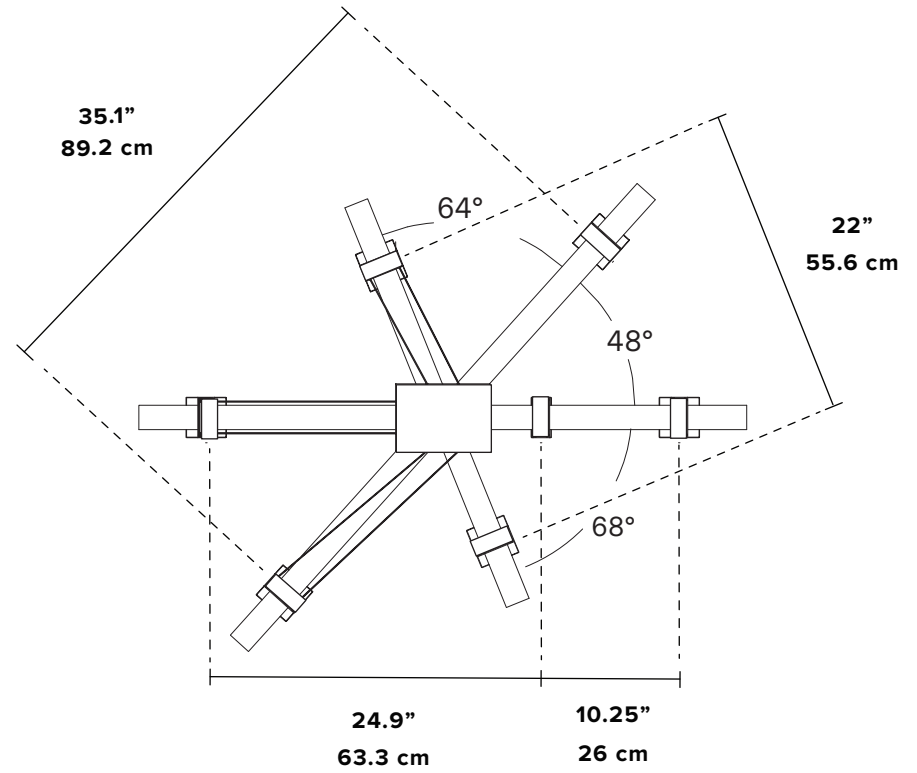
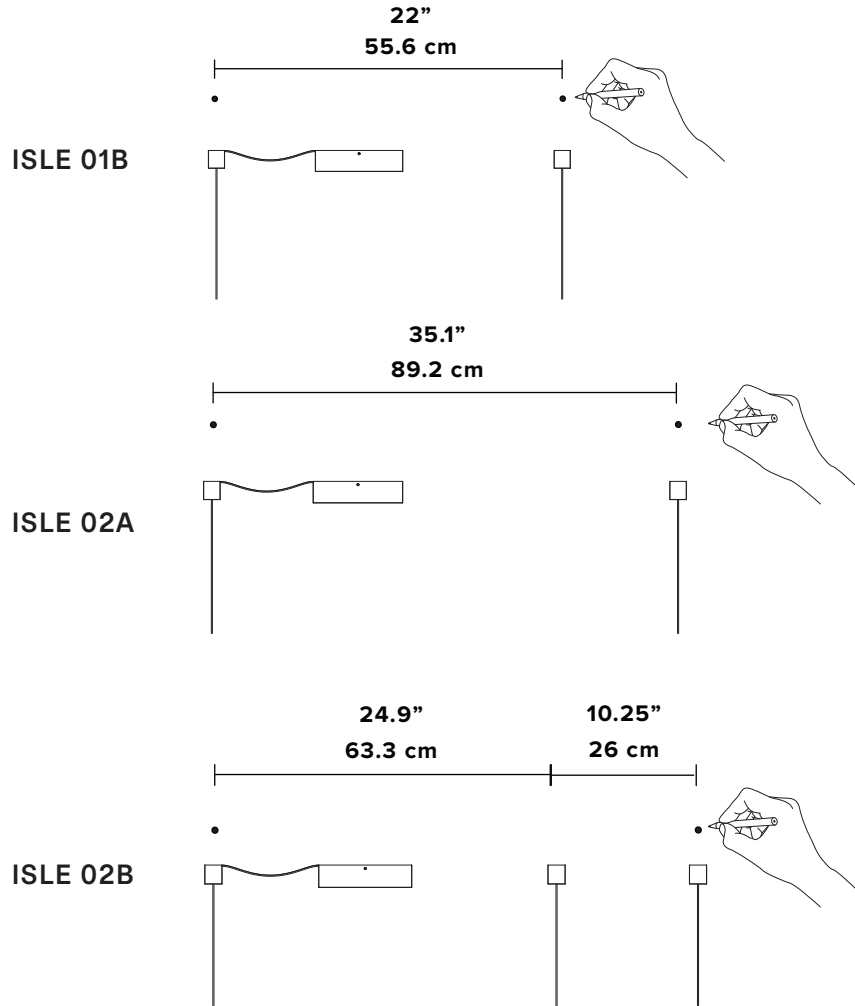


- Please read entire manual before beginning installation
- To be installed by an electrician to an electrical box
- Use appropriate screws where necessary
- Wear enclosed gloves when handling lamp
- Handle materials with care. Please consult lamp maintenance sheet on our website



1

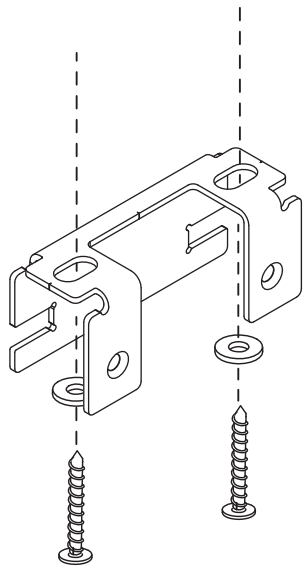
Mark anchor points.
Use provided guide (last page of manual)
with a laser on the ground to set
the correct angles.



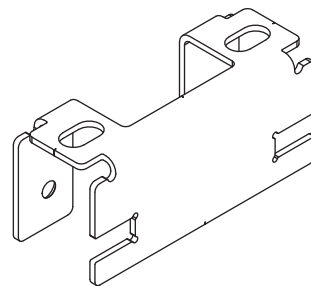
2

Install ceiling anchors
(use provided washers if needed).

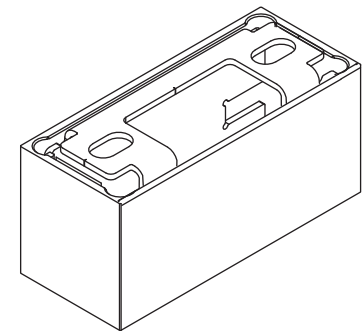
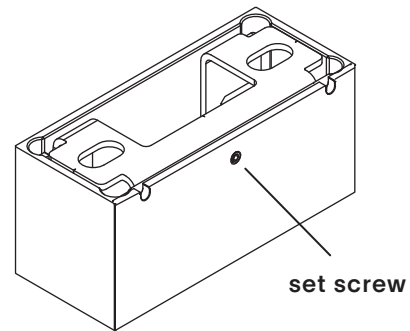
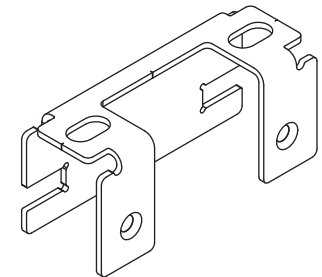
Note that the orientation of the
bracket is important for the location
of the set screw on the anchor cover.



Electrical side
Closed side of the bracket
facing the canopy.

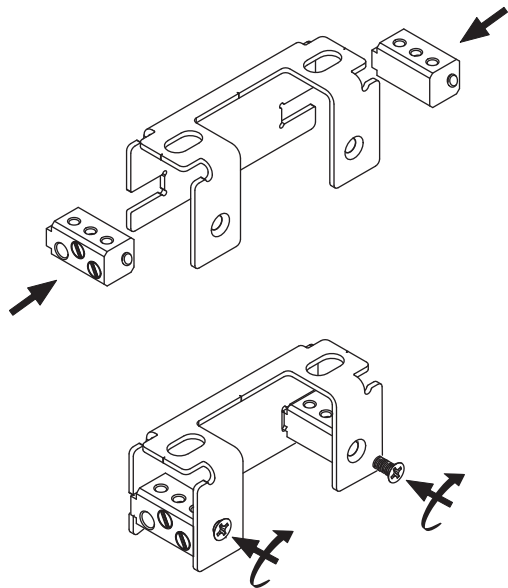


Non-electrical side



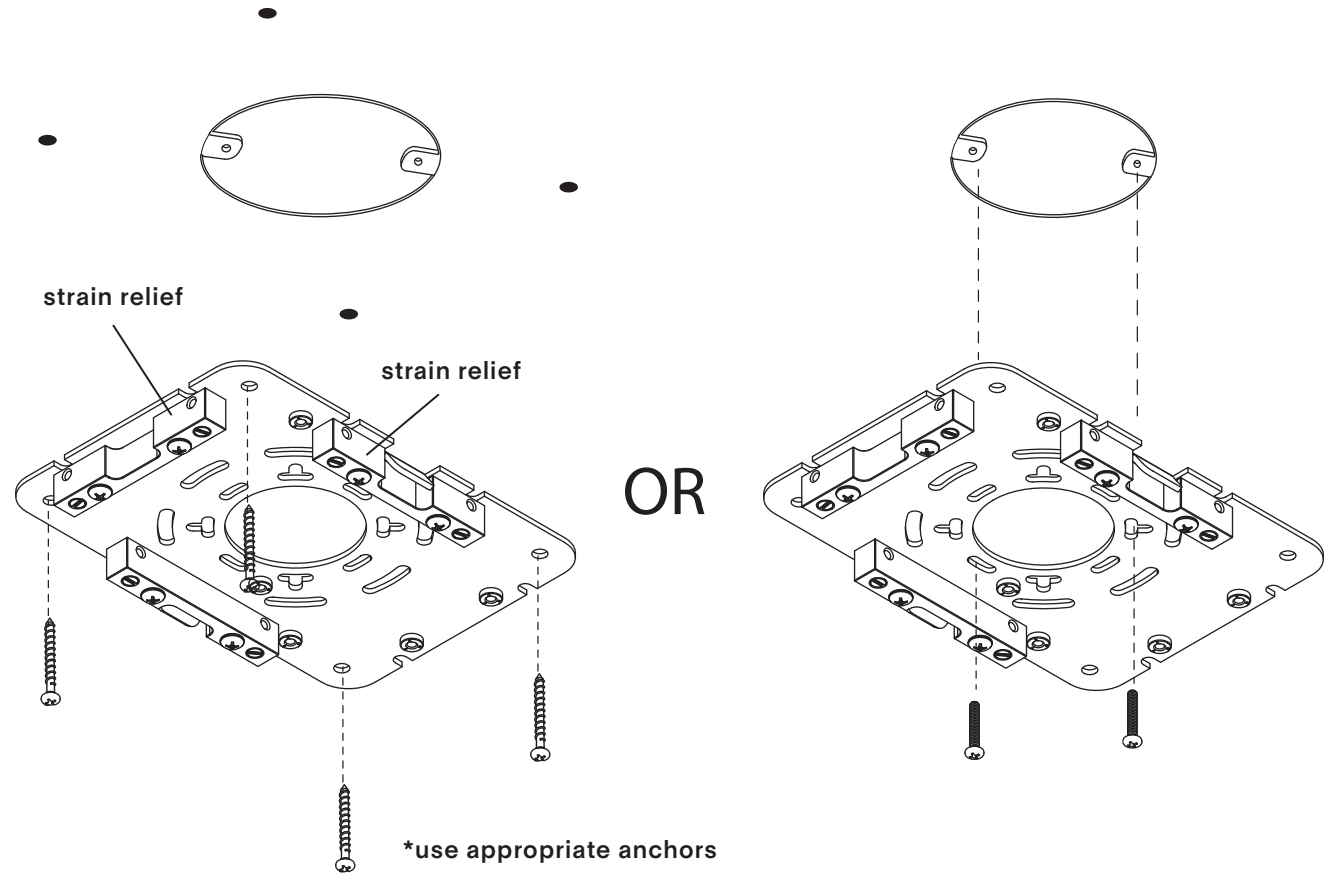
3

Install anchor strain relief.
Make sure nylon set screw is facing
the outside of the bracket.



4

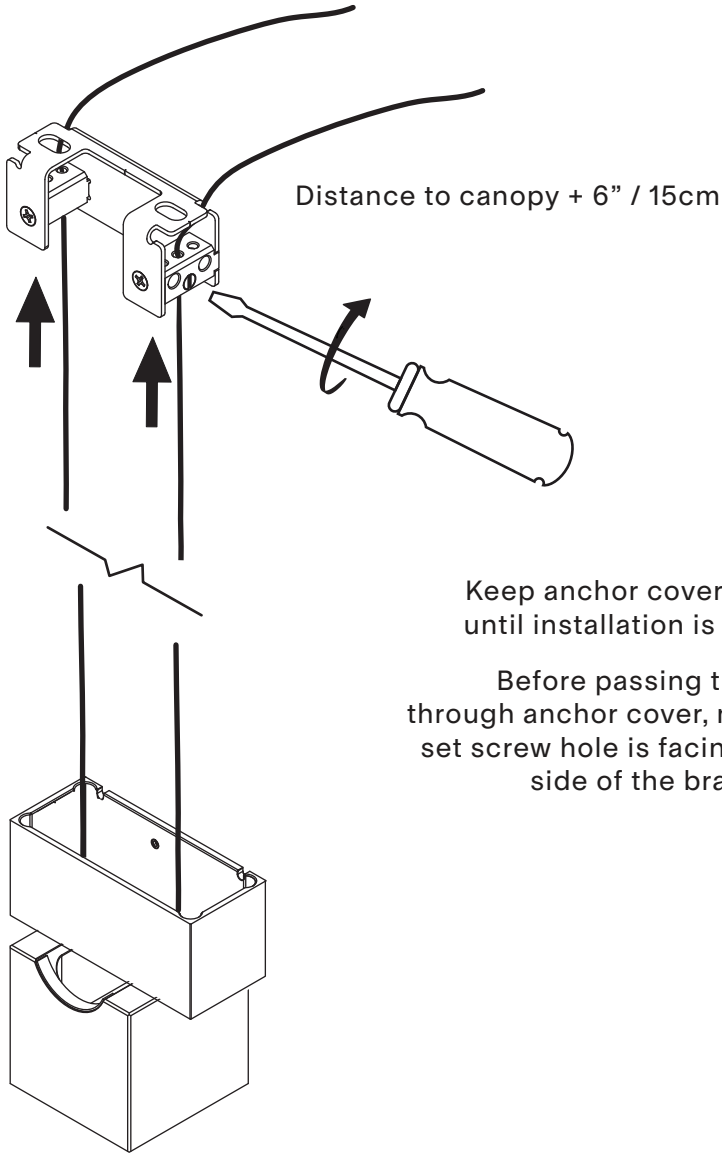
Install ceiling brackets.
Strain relief sides face the
electrical block anchors.



5

Install blocks.

Electrical block

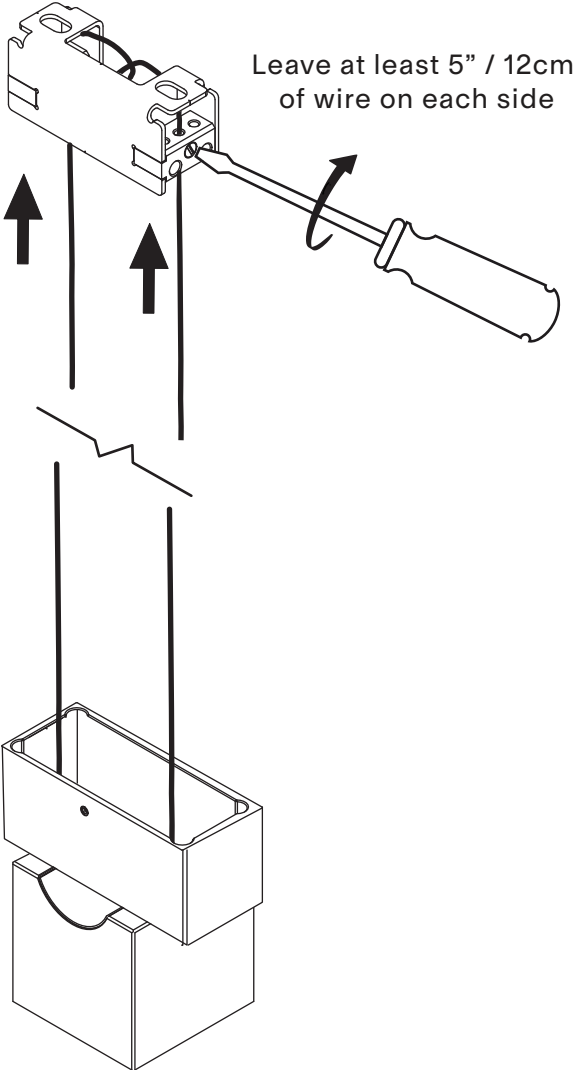


Keep anchor cover wrapped until installation is complete.

Before passing the wire through anchor cover, make sure the set screw hole is facing the closed side of the bracket.

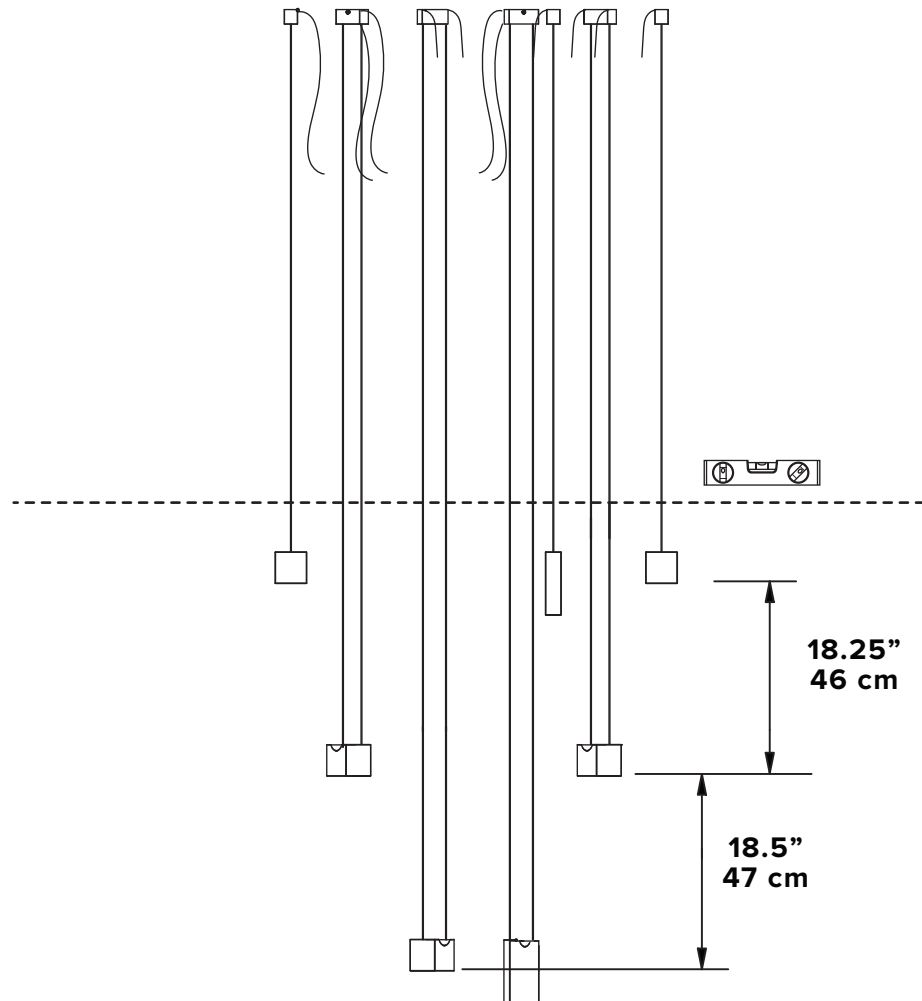
Non-electrical block

*slab follows the same steps as non-electrical side



6

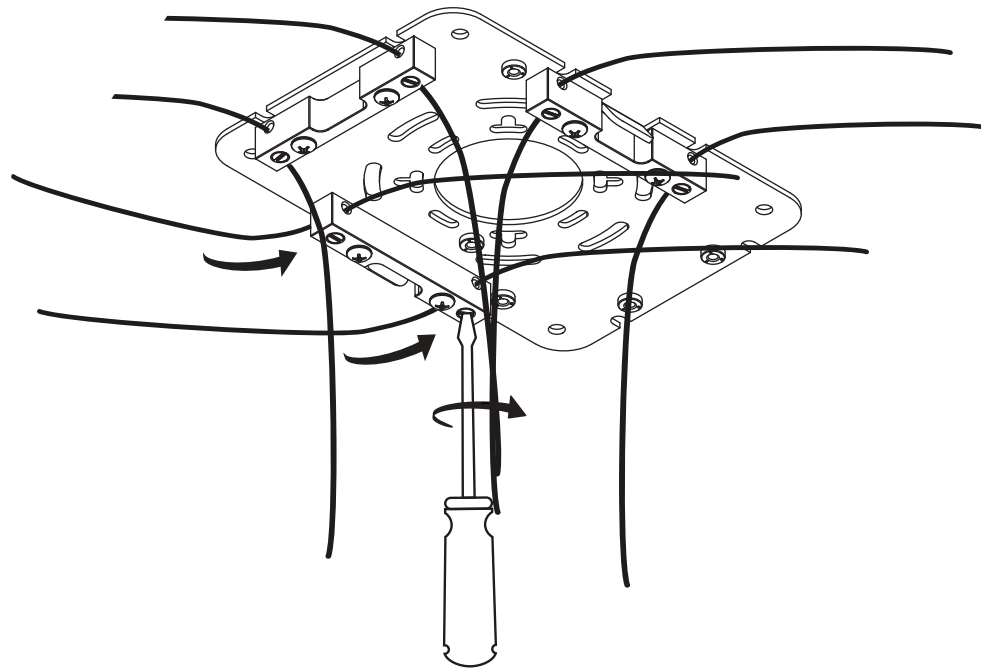
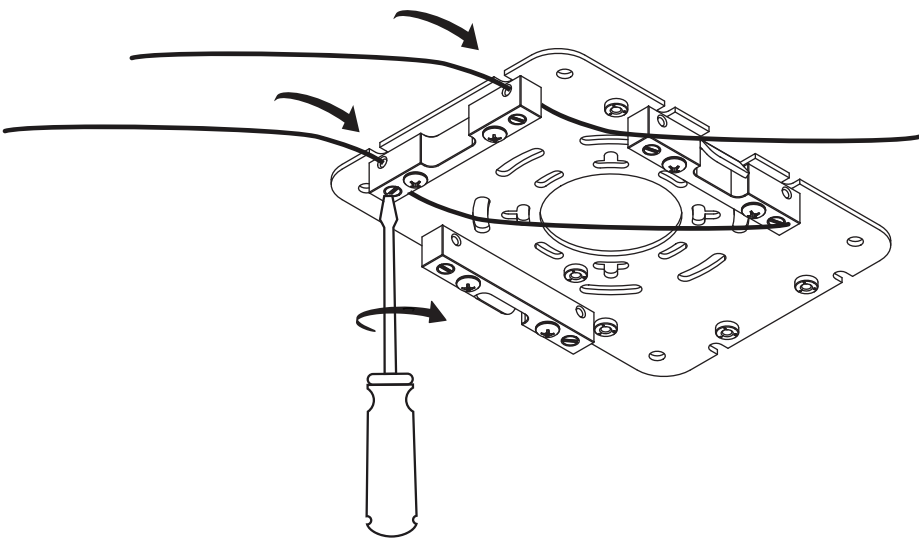
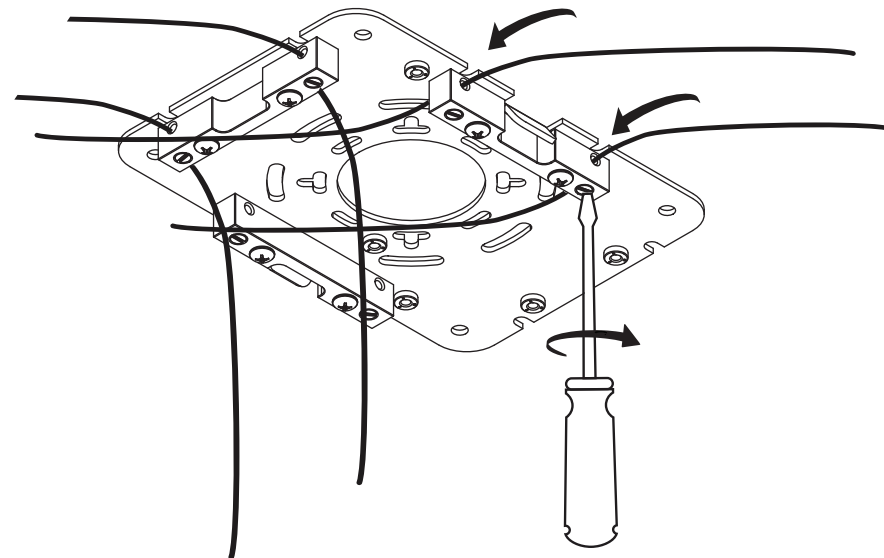
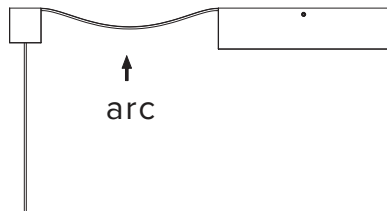
Adjust luminaires to proper height and level (suggested installation)



7

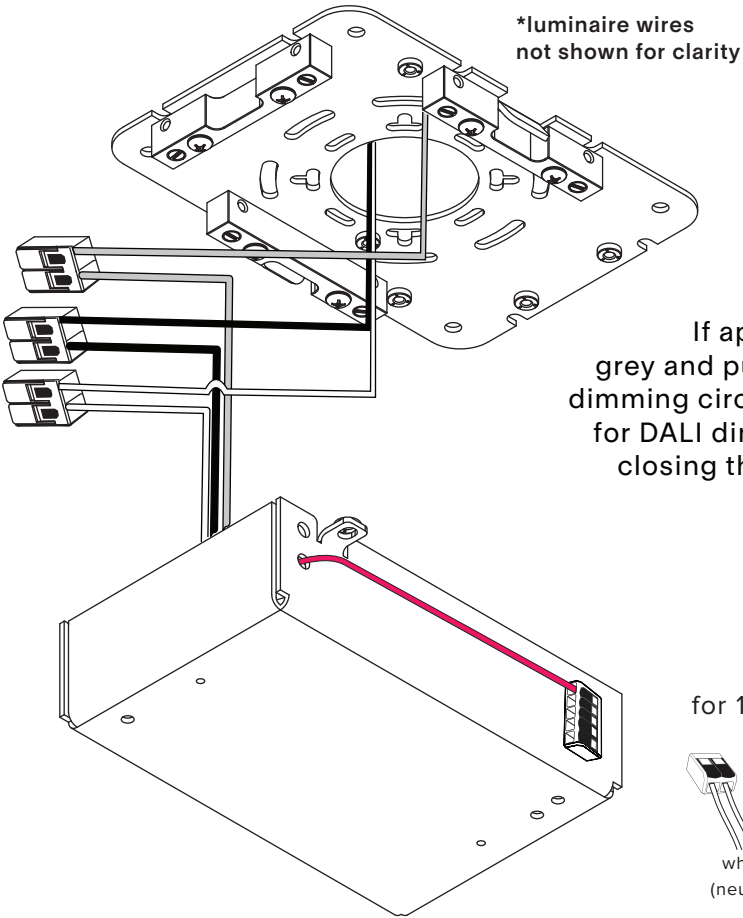
Feed wires from electrical block into canopy strain relief.

When desired arc is achieved, tighten strain relief and trim wires. Leave at least 6" of wire after the strain relief.



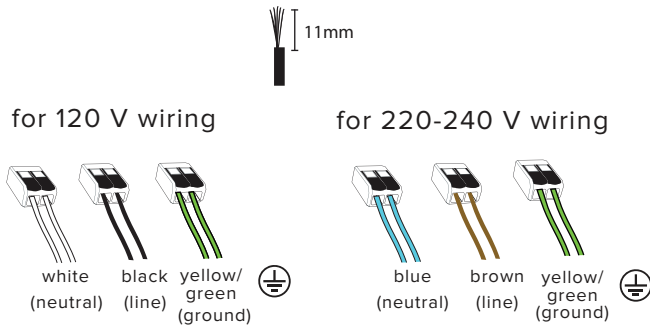
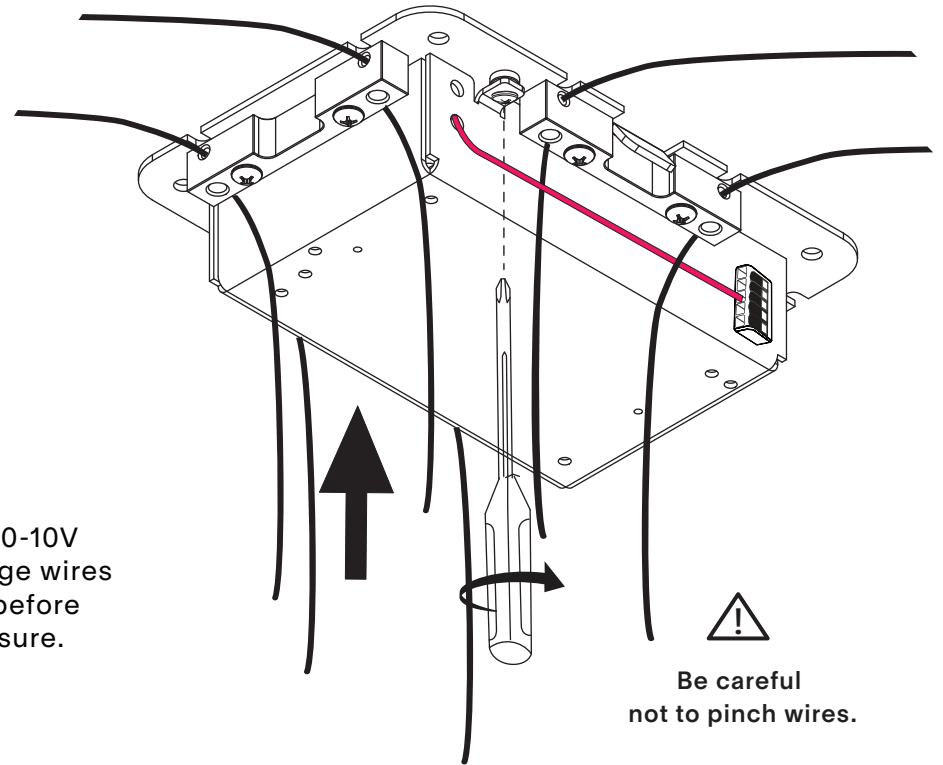
8

Make AC connections to driver housing. (housing not provided for CE phase dimming)



If applicable, use grey and purple wires for 0-10V dimming circuit or the orange wires for DALI dimming circuit before closing the driver enclosure.

9



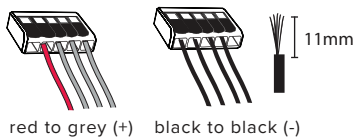
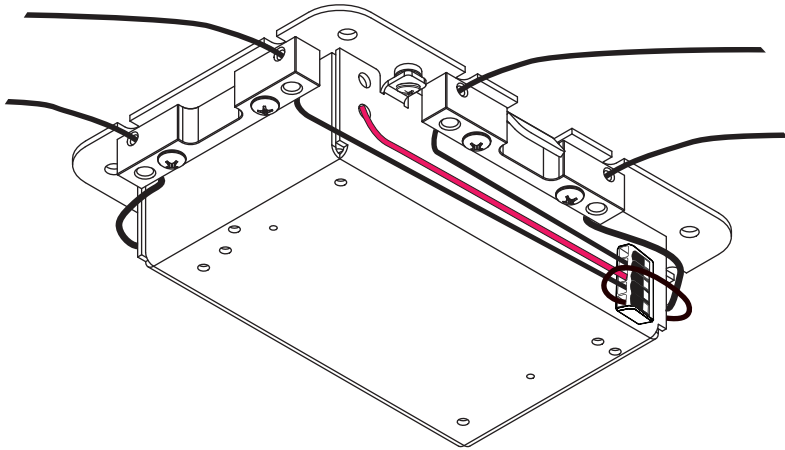
10

Make connection to driver.

Keep wires on the sides and not under the driver enclosure.



Be careful not to pinch wires.



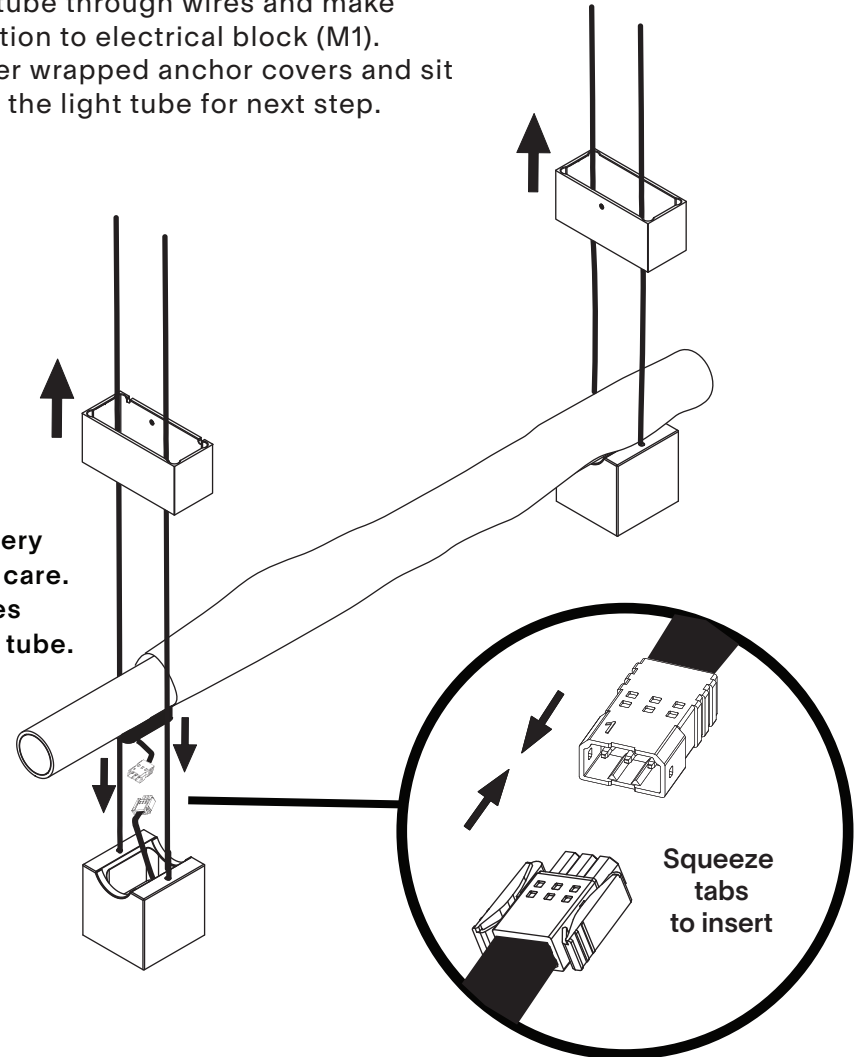
11

Keep light tube wrapped until installation is complete. Remove only the section covering the connectors. The tube sits on the blocks and is held in place with gravity.

Raise anchor covers, gently pass the light tube through wires and make connection to electrical block (M1). Carefully lower wrapped anchor covers and sit them on the light tube for next step.



Light tube finish is very sensitive, handle with care. Make sure the wires don't touch or rub the tube.

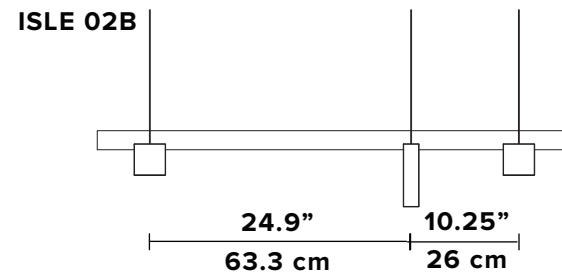
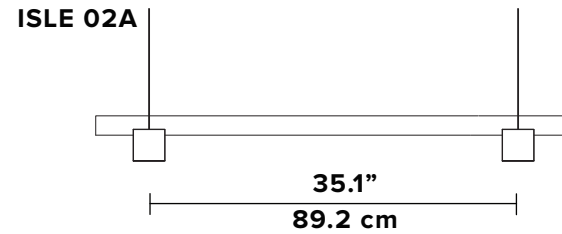
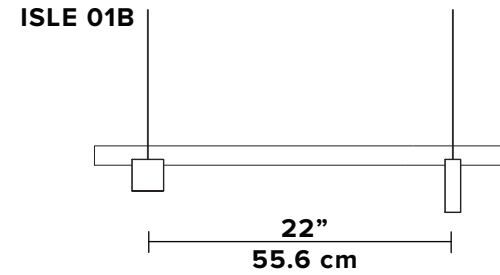
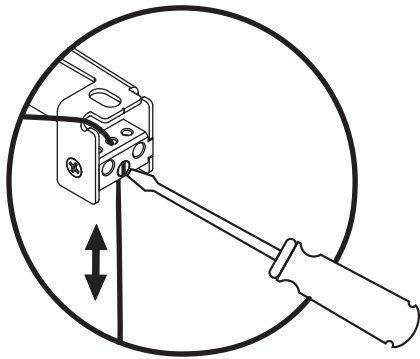
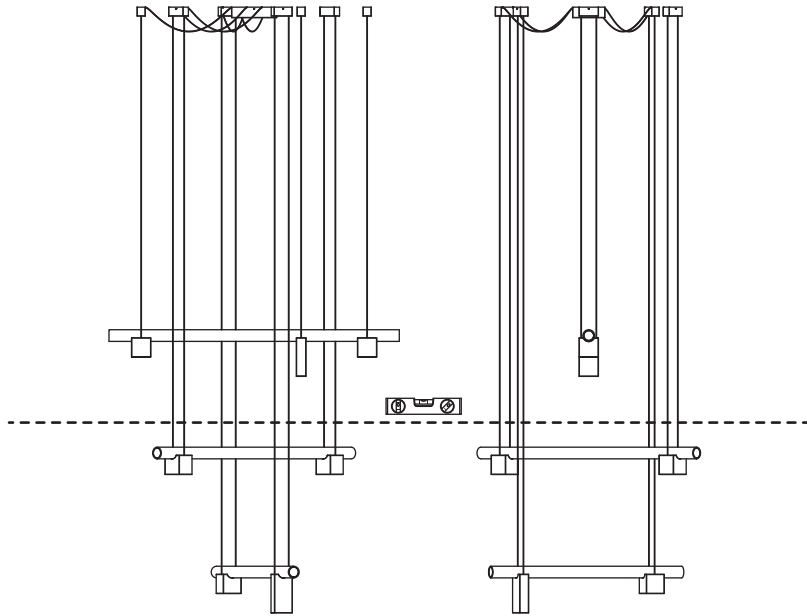
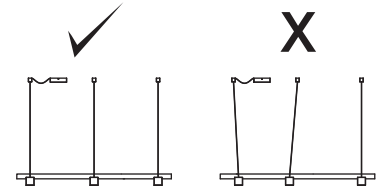


12

Ensure luminaire is balanced and level with the tube in place.

Make adjustments in wire length in the ceiling anchors if necessary. Loosen strain relief, adjust, retighten.

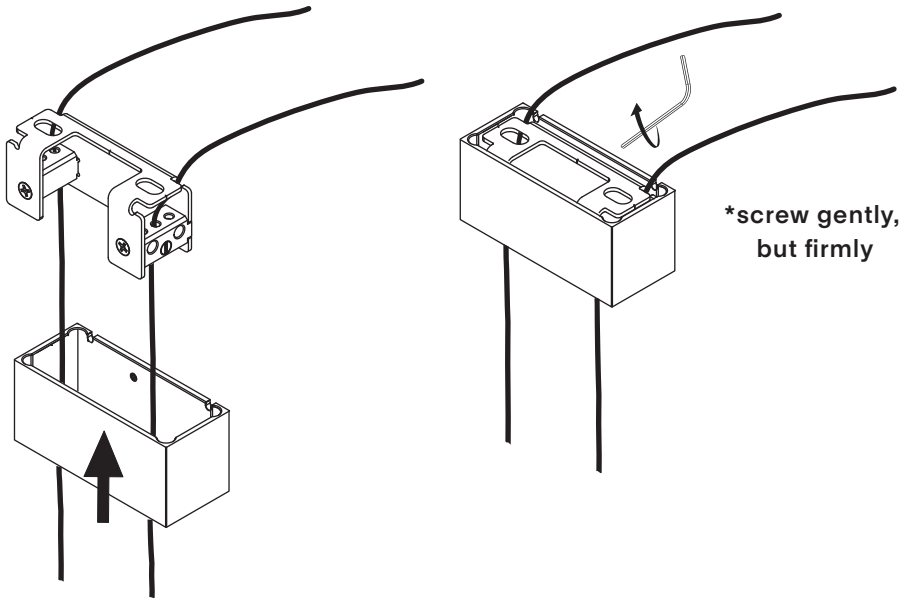
Make sure all the cubes and slabs align with the anchors. They may have shifted with assembly and lead to



13

Remove protective foam and install anchor covers. Feed extra wire into it.

Make sure wires sit in canopy and anchor grooves.



14

Be careful not to pinch wires.

