

# Isle 13








## ISLE 13 - COLOUR PALETTE 1

ISL03A: Black Marquina + Polished Aluminum + Black Marquina

ISL02A: Polished Aluminum + Black Marquina

ISL01A: Black Marquina + Polished Aluminum

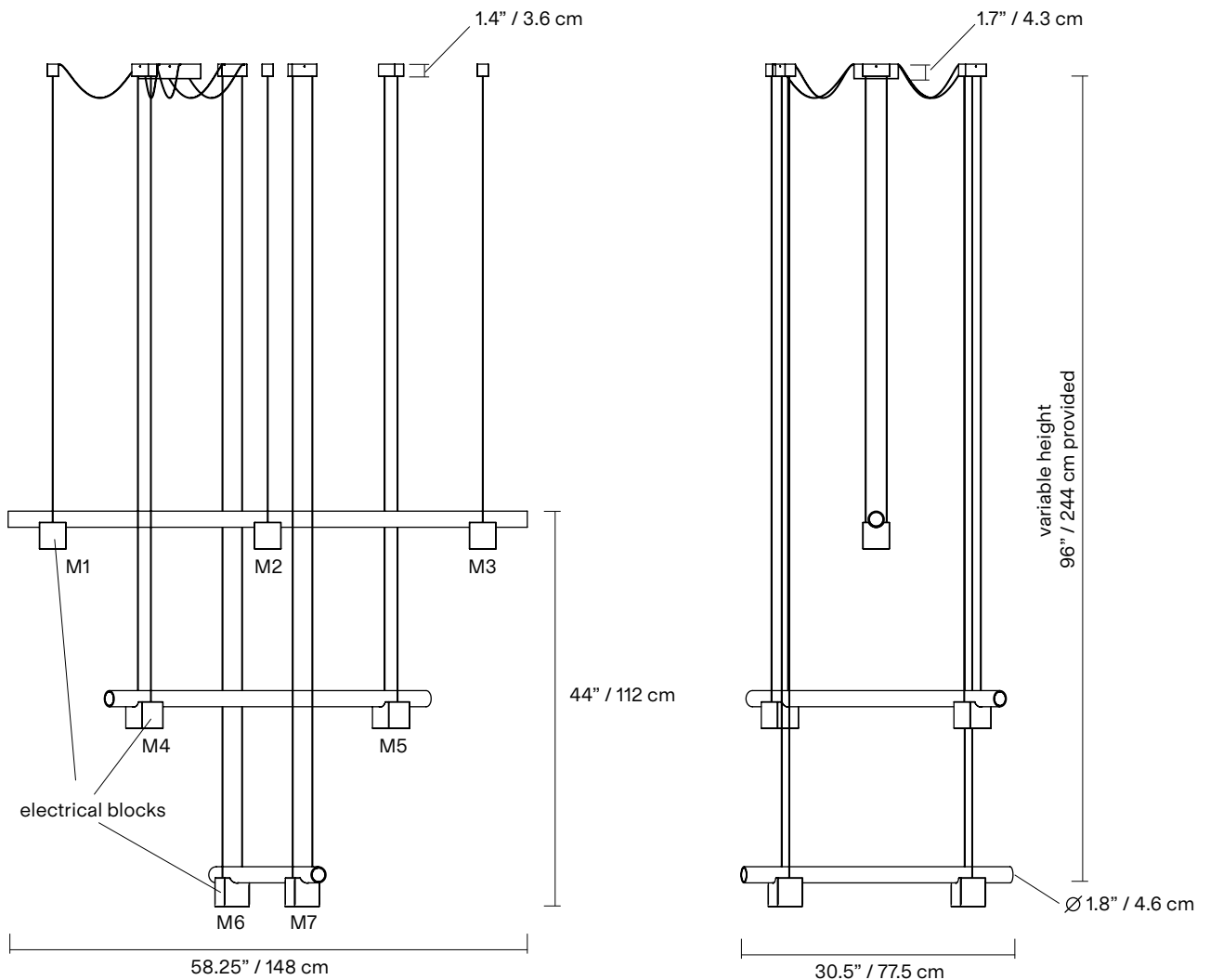
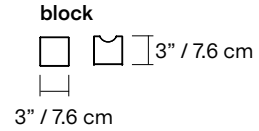
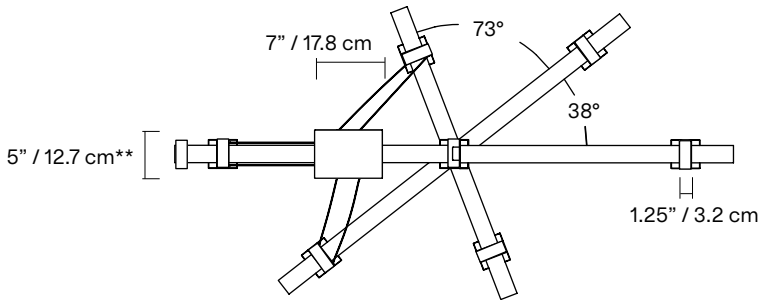
An ode to quiet strength, Isle is a play both on illusion and perception allowing lightness to anchor and foundations to rise. Composed of a delicate glass tube resting on solid-stone and aluminum pedestals and suspended in mid-air like a surreal bridge, Isle is minimal, but never simplistic.

<b>TYPE</b>	Suspension
<b>CONSTRUCTION</b>	Frosted glass tube Polished aluminum or marble block Polished aluminum endcap, canopy and anchors Polyester cord
<b>SPECIFICATIONS</b>	Power consumption: 52W  Colour temperature: 3000K 2700K dim to warm 3000K to 2200K dim to warm 2700K to 2200K  Lumen output: 2700K - 2815 lm  Colour rendering index: ≥90 CRI Colour consistency: 3 SDCM Expected lifetime: ≥50 000h
<b>CONTROL</b>	120/277V on/off, 0-10V, or phase dimming 220-240V: On/Off, Phase Dimming, DALI Refer to our recommended list of dimmer models on page 6
<b>CORD LENGTH</b>	Mains/line cords- 120" / 304 cm Non-electrical cords- 96" / 244 cm
<b>WEIGHT</b>	ISL03A- 17.5lb / 7.9Kg ISL02A- 13.5lb / 6.1Kg ISL01A- 12lb / 5.4Kg
<b>CERTIFICATIONS</b>	     IP20
<b>WARRANTY</b>	2 years

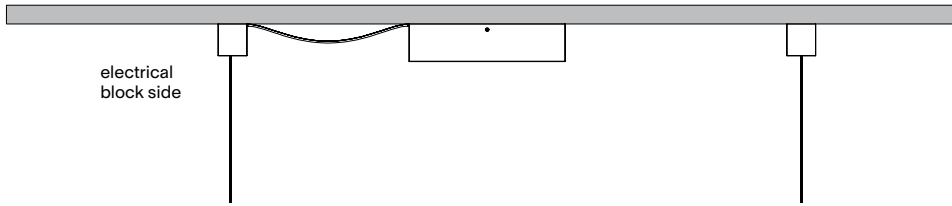
## NOTES

- The canopy can be offset from composition.
- Luminaire total height (ceiling to lowest point of luminaire)  
Min - 51,5"/131 cm  
Max - 100"/254 cm  
\*For any height outside these parameters, contact Lambert & Fils
- For installation on slanted ceiling, contact Lambert & Fils
- Ceiling anchors can be used as junction boxes for daisy chain. If needed, please inform your representative.
- Dimensions are approximate and may vary slightly

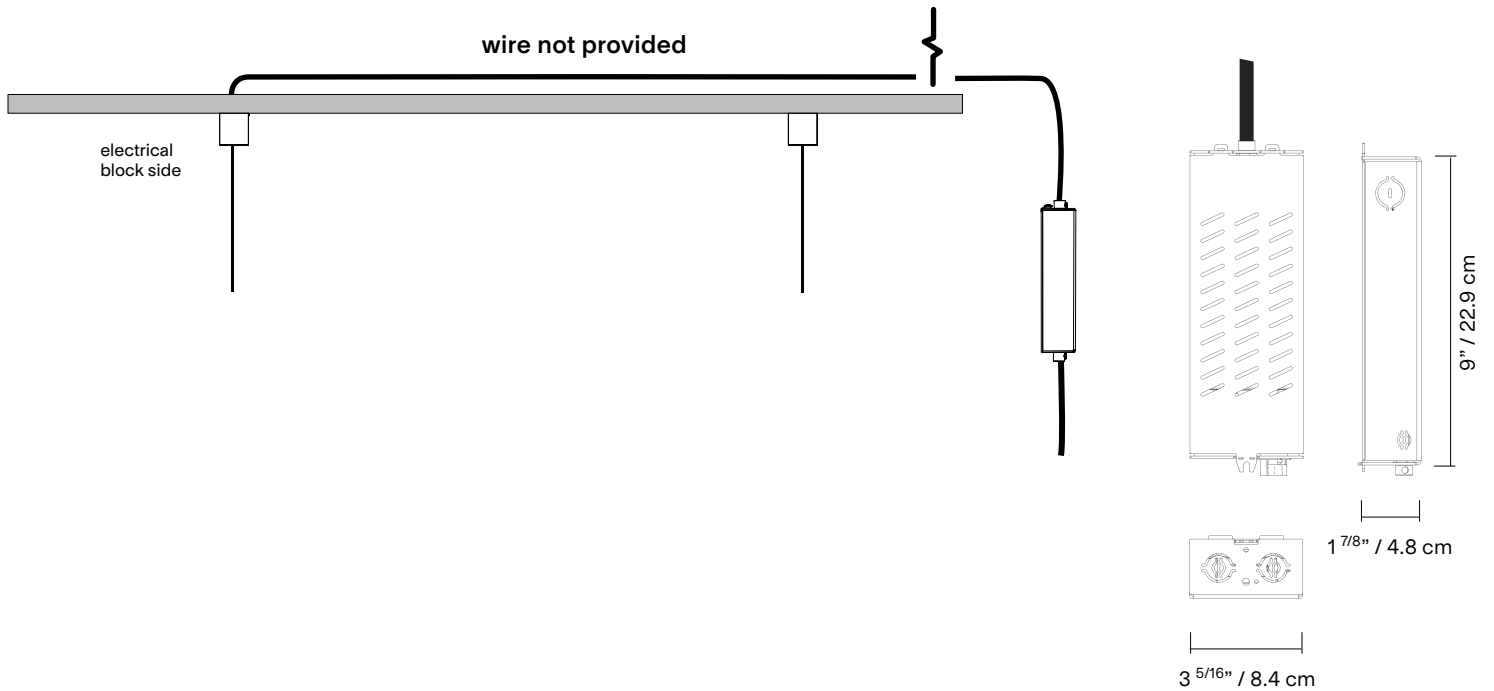
The canopy cannot be installed in the center of the proposed composition.



## SM- Surface mounted



## RM-Remote driver



\*housing not necessary for Phase Dimming 220-240VAC (only driver provided)

### REMOTE DRIVER HOUSING

Must be accessible for maintenance in a well aerated location for heat dissipation

Use the following chart to determine proper wiring gauge according to the distance to its location.

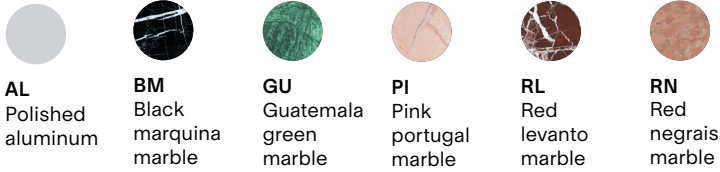
#### GAUGE

18AWG (0.75mm<sup>2</sup>)  
 16AWG (1.5mm<sup>2</sup>)  
 14AWG (2.5mm<sup>2</sup>)  
 12AWG (4mm<sup>2</sup>)

#### MAX ALLOWABLE DISTANCE

85 ft. / (26 m)  
 136 ft. / (41 m)  
 216 ft. / (66 m)  
 343 ft. / (105 m)

## MATERIAL

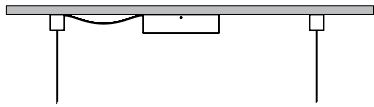


## CORD

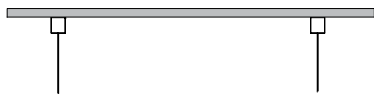


## MOUNTING

**SM**  
Surface mounted



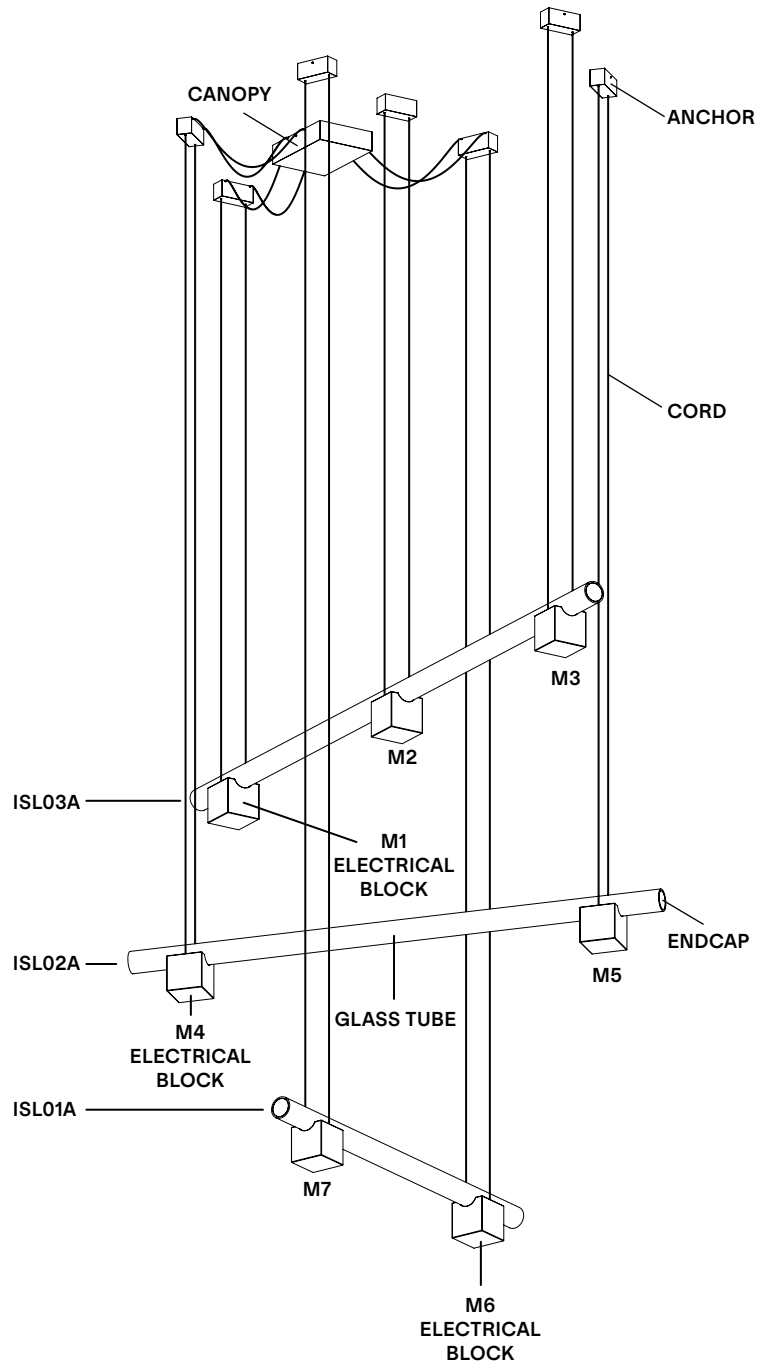
**RM**  
Remote Driver



## NOTES

- Must be installed by an electrician
- LED may only be changed by Lambert & Fils or other authorized personnel
- Not protected against liquids (refer to IP20)
- Additional charges for modifications or for special orders
- Please refer to maintenance sheet on our website for cleaning instructions

## LAMP ANATOMY



		Example	Fill with your selection
<b>COLLECTION</b>	<b>ISL</b> Isle	<b>ISL</b>	<b>ISL</b>
<b>MODEL</b>	<b>13</b>	<b>13</b>	<b>13</b>
<b>MATERIAL</b>	<p><b>P1</b> ISL03A - Black Marquina (M1) + Polished Aluminum (M2) + Black Marquina (M3) ISL02A - Polished Aluminum (M4) + Black Marquina (M5) ISL01A - Black Marquina (M6) + Polished Aluminum (M7)</p> <p><b>P2</b> ISL03A - Black Marquina (M1) + Polished Aluminum (M2) + Guatemala Green (M3) ISL02A - Polished Aluminum (M4) + Black Marquina (M5) ISL01A - Guatemala Green (M6) + Polished Aluminum (M7)</p> <p><b>P3</b> ISL03A - Red Negrais (M1) + Polished Aluminum (M2) + Pink Portugal (M3) ISL02A - Polished Aluminum (M4) + Red Negrais (M5) ISL01A - Pink Portugal (M6) + Polished Aluminum (M7)</p> <p><b>P4</b> ISL03A - Polished Aluminum (M1) + Pink Portugal (M2) + Red Levanto (M3) ISL02A - Red Levanto (M4) + Polished Aluminum (M5) ISL01A - Polished Aluminum (M6) + Pink Portugal (M7)</p>	<b>P1</b>	
<b>CORD</b>	<b>BK</b> Black	<b>BK</b>	<b>BK</b>
<b>CANOPY AND ANCHORS</b>	<b>AL</b> Polished aluminum	<b>AL</b>	<b>AL</b>
<b>MOUNTING</b>	<b>SM</b> Surface mounted <b>RM</b> Remote driver	<b>SM</b>	
<b>COLOUR TEMPERATURE (CCT)</b>	<b>WL</b> Warm light (2700K) <b>NL</b> Neutral light (3000K) <b>D27</b> Dim to warm (2700K-2200K) <b>D30</b> Dim to warm (3000K-2200K) <b>CCT</b> Other CCT available upon request*	<b>WL</b>	
<b>DIMMING</b>	<b>ZT</b> 0-10V (120VAC only) <b>PH</b> Phase dimming <b>DA</b> DALI (220-240VAC only)	<b>ZT</b>	
<b>FULL SKU</b>		<b>ISL13P1BKALSMWLZT</b>	

**NOTES**

\*Specific CCT selection only available in 100k increments, from 2200K to 4000K inclusively and not available with Dim-to-Warm feature.

## TESTED DIMMER COMPATIBILITY LIST - 120V

Compatible with Trailing Edge dimming (Reverse Phase/ELV) or Leading Edge (Forward Phase) dimming.  
We strongly recommend using dimmers that require a Neutral wire connection.

DIMMER BRAND	MODEL	MAX LEVEL	MIN LEVEL	DIMMING PROTOCOL
Lutron Diva	DVELV-300P	100%	1%	Phase Cut
Lutron Diva	DVELV-303P	100%	1%	Phase Cut
Lutron Diva	DVRP-253P	100%	1%	Phase Cut
Lutron Skylark	CTELV-303P	100%	1%	Phase Cut
Lutron Skylark	SELV-300P	100%	1%	Phase Cut
Lutron Skylark	SELV-303P	100%	1%	Phase Cut
Lutron Skylark	CTRP-253P	100%	1%	Phase Cut
Lutron Maestro	MA-PRO	100%	1%	Phase Cut
Lutron Caseta	PD-5NE	100%	1%	Phase Cut
Lutron Nova	NTELV-300	100%	1%	Phase Cut

---

Some dimmers require a minimum load, check specifications.

---

We recommend conducting your own test before final installation.

---