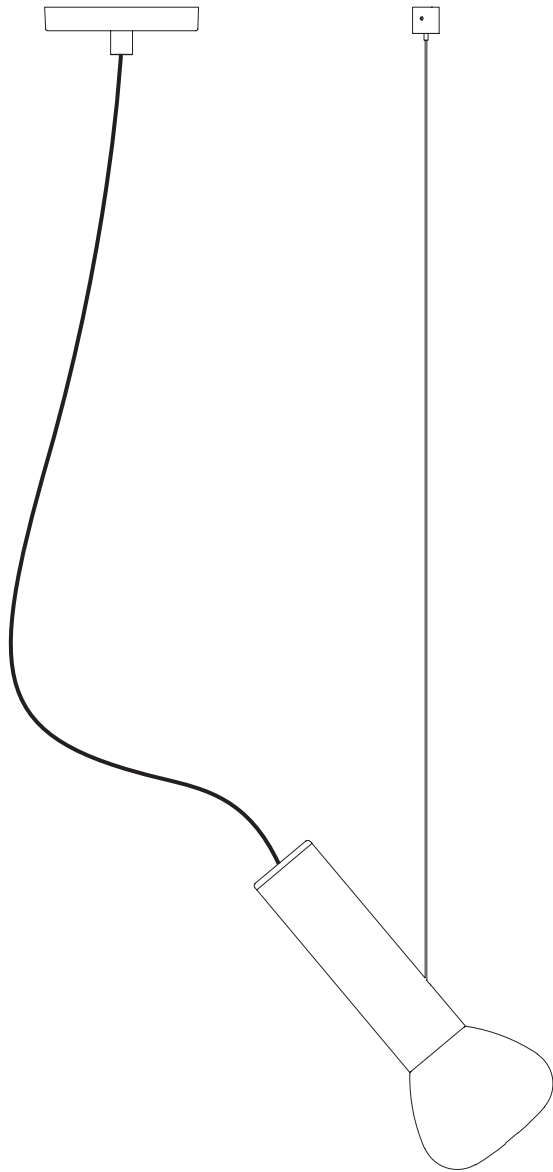


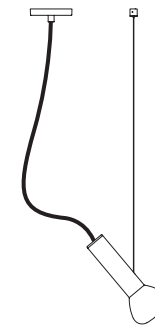
PARC 02



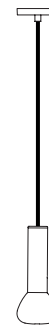
- Please read entire manual before beginning to install
- To be installed by an electrician to an electrical box
- Use appropriate screws where necessary
- Use appropriate anchors and ensure your electrical box can hold the weight of the luminaire.
- Wear enclosed gloves when handling lamp
- Handle materials with care. Please consult lamp maintenance sheet on our web site

4 lbs. / 1.75 kg

anchor



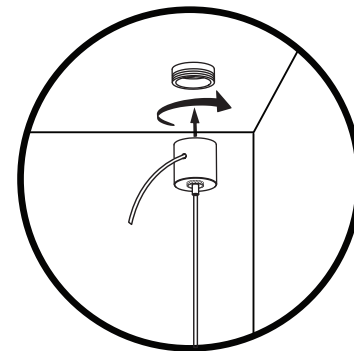
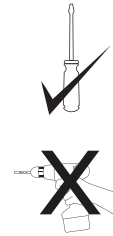
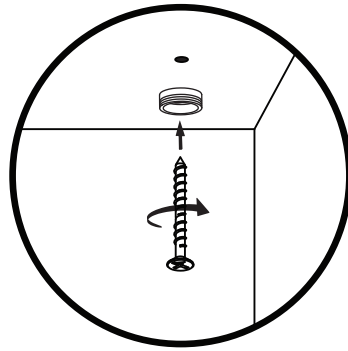
no anchor



Wear enclosed gloves
when handling luminaire,
particularly the globe.

1

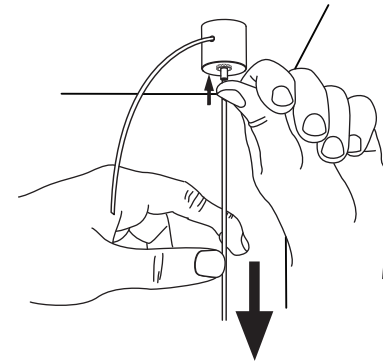
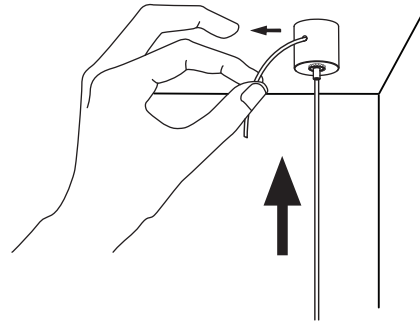
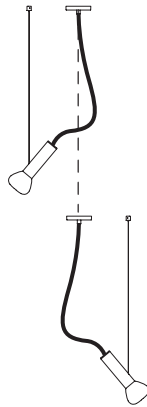
For anchor mounting.
For no anchor skip to step 3.



USE APPROPRIATE ANCHORS

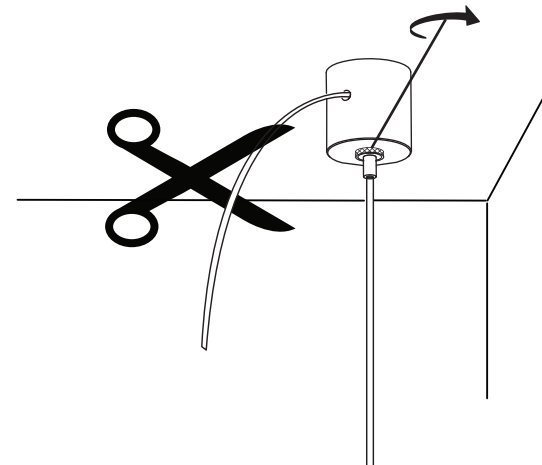
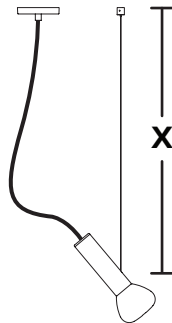


Note that the placement
of your canopy in relation
to the anchor will affect the
direction of your luminaire

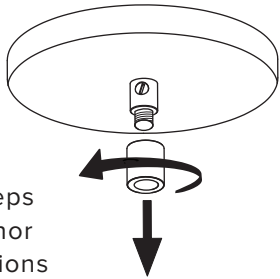


2

Secure the cable gripper
then trim extra cable
when desired level and
height (X) are achieved

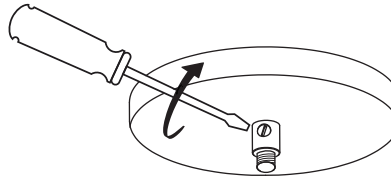


3



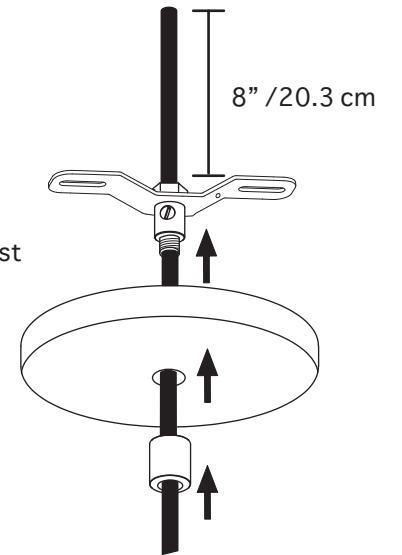
The following steps are for both anchor and no anchor options

4



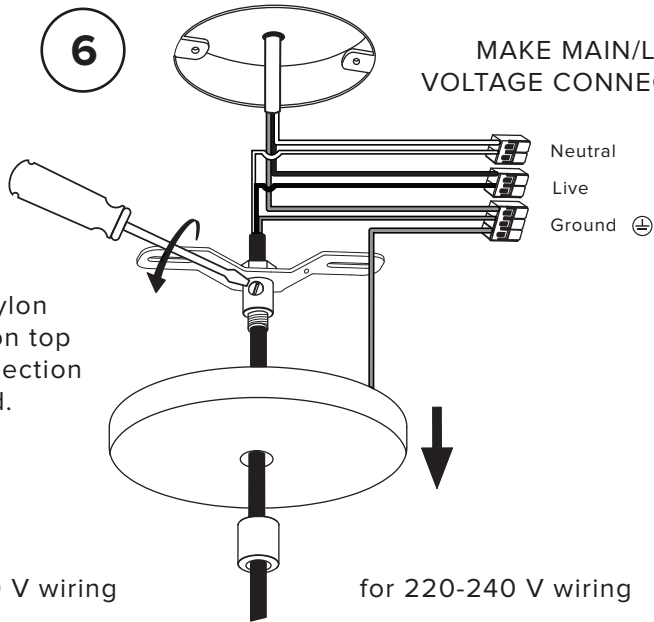
5

Feed cord through then adjust cord length. Leave at least 8" / 20.3 cm of cord after the bracket.



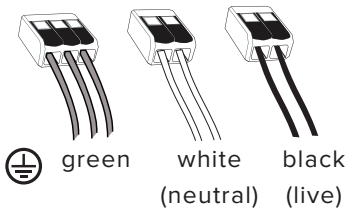
6

MAKE MAIN/LINE VOLTAGE CONNECTIONS

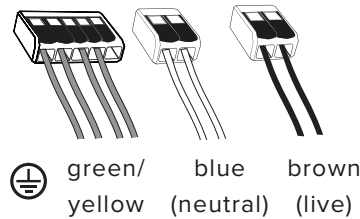


Tighten nylon set screw on top of sleeved section of cord.

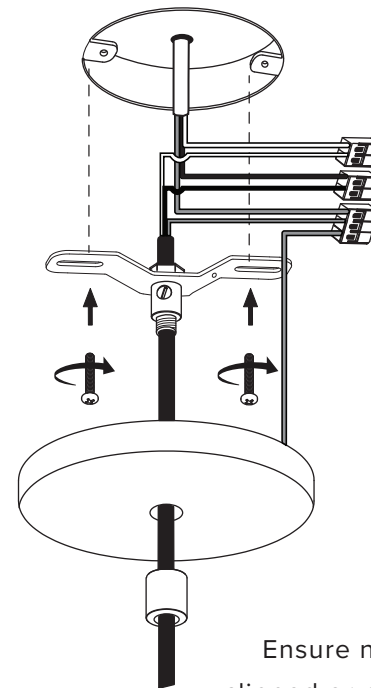
for 120 V wiring



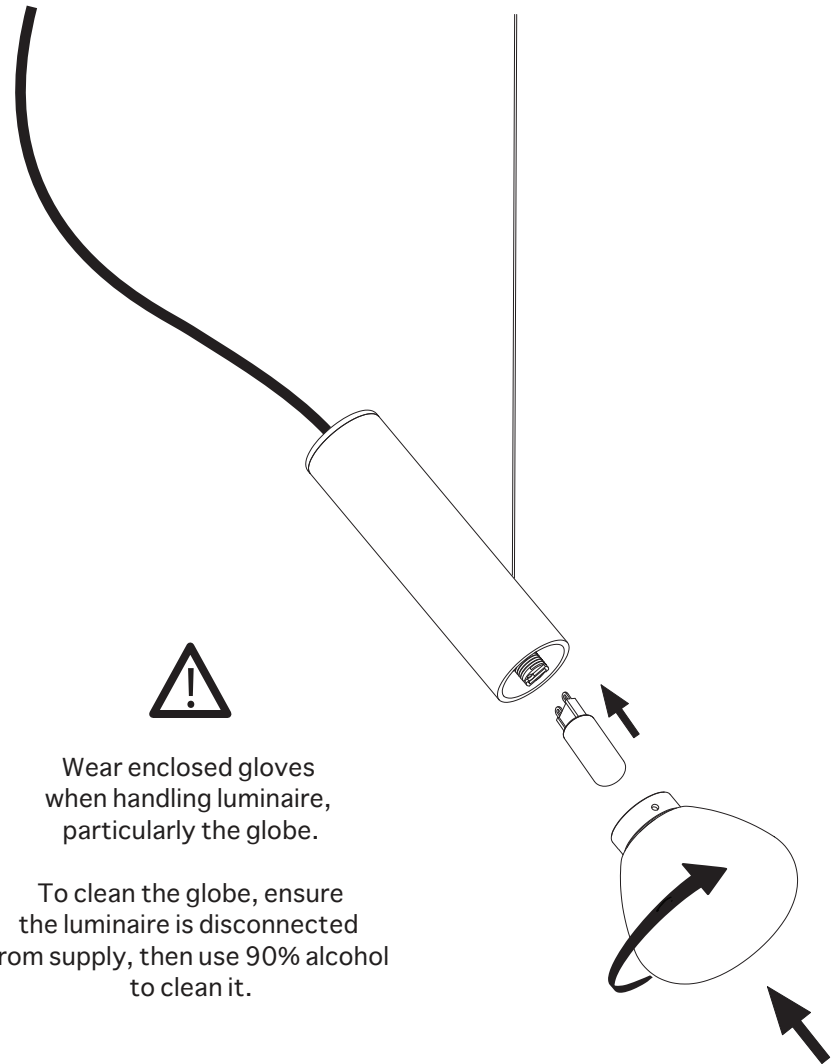
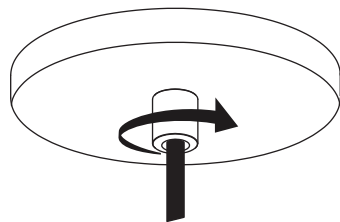
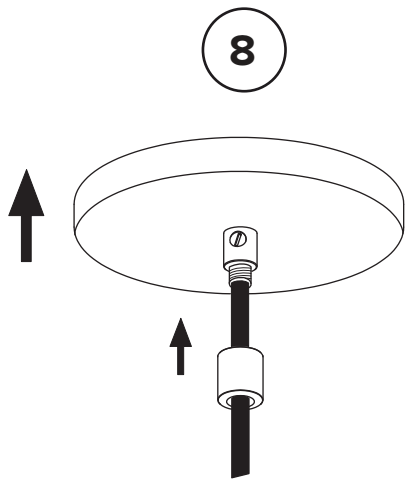
for 220-240 V wiring



7



Ensure no wires are clipped or pinched during this operation.



Wear enclosed gloves when handling luminaire, particularly the globe.

To clean the globe, ensure the luminaire is disconnected from supply, then use 90% alcohol to clean it.