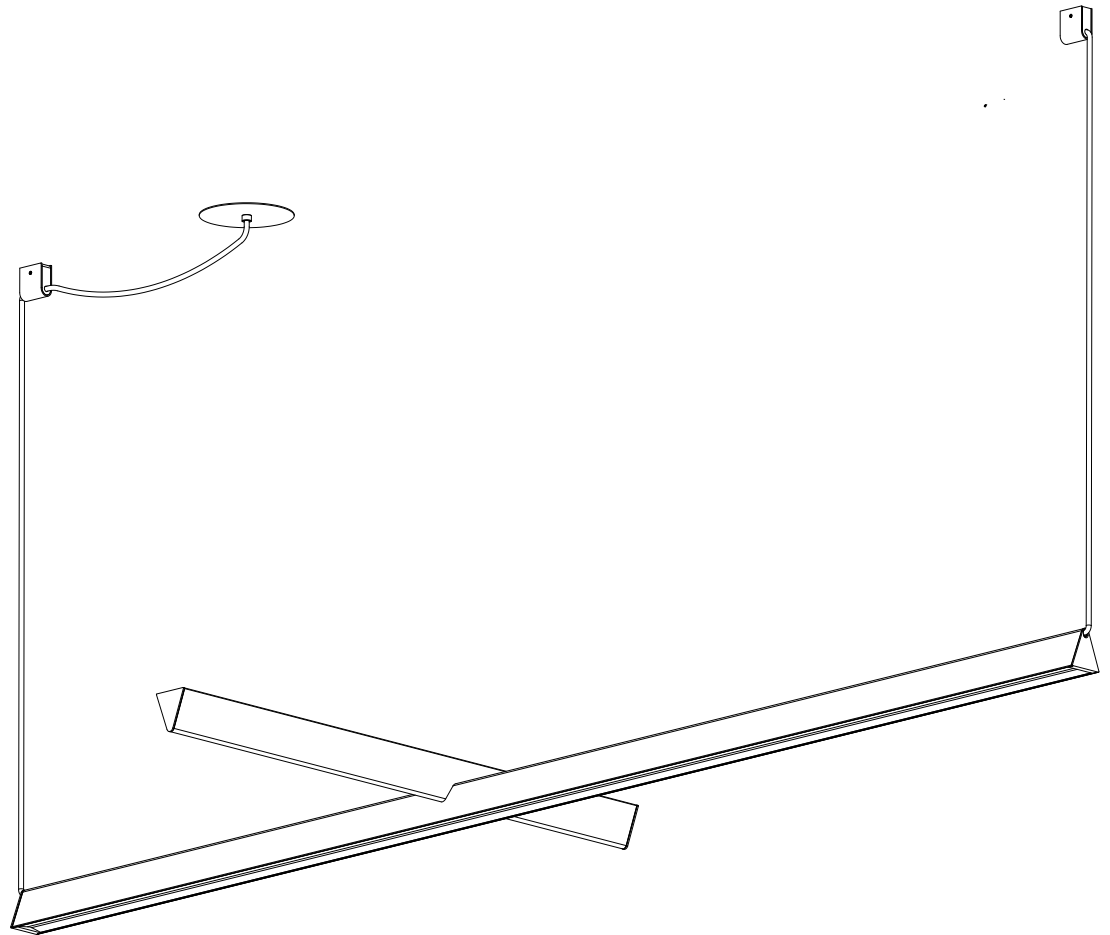


MILE ATELIER



- Please read entire manual before beginning install
- To be installed by an electrician to an electrical box
- Use appropriate screws where necessary
- Wear enclosed gloves when handling lamp
- Handle materials with care. Please consult lamp maintenance sheet on our web site
- Should be used exclusively as a lamp and not as a shelving, display or hanging unit

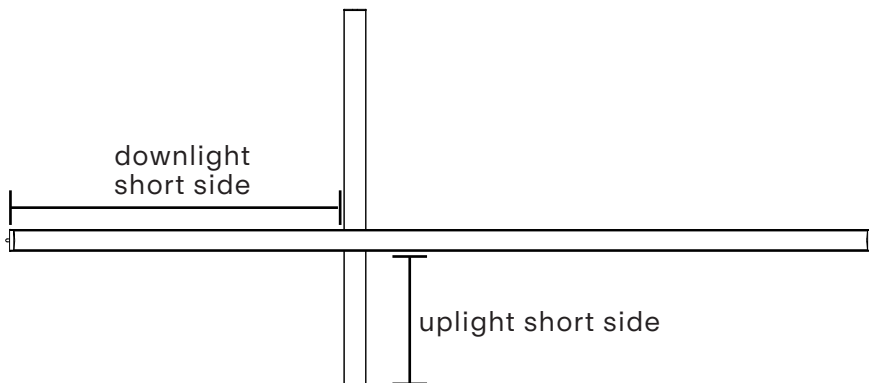
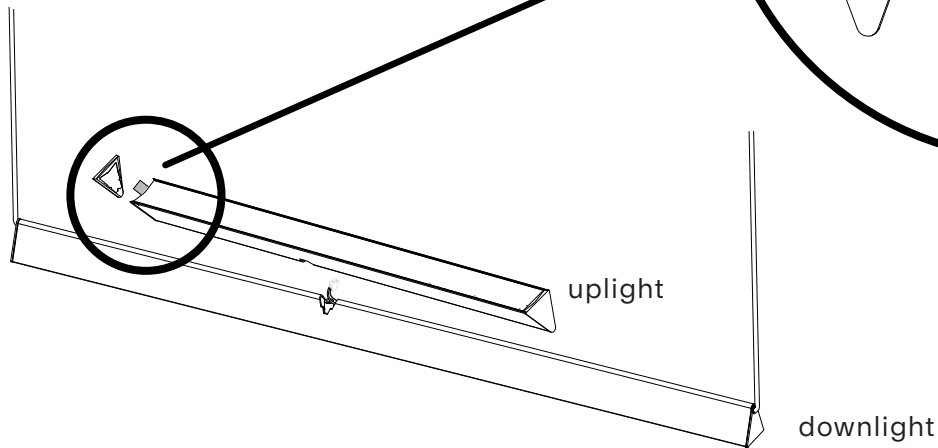
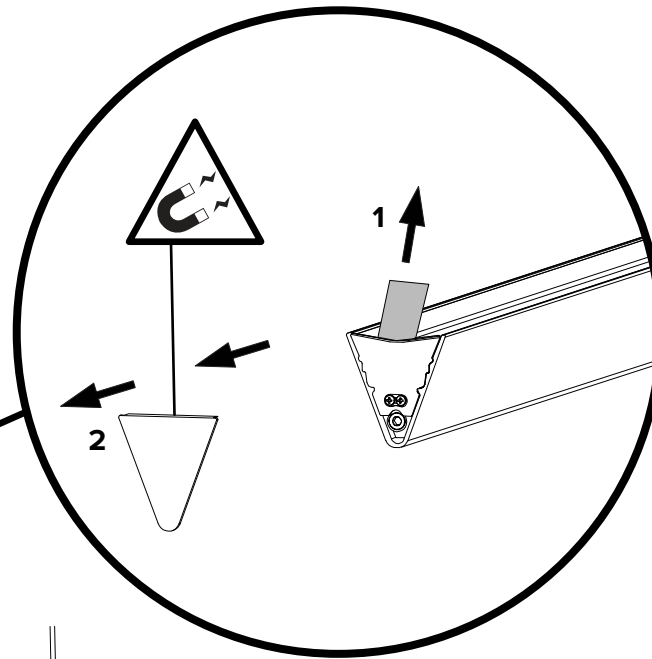


1

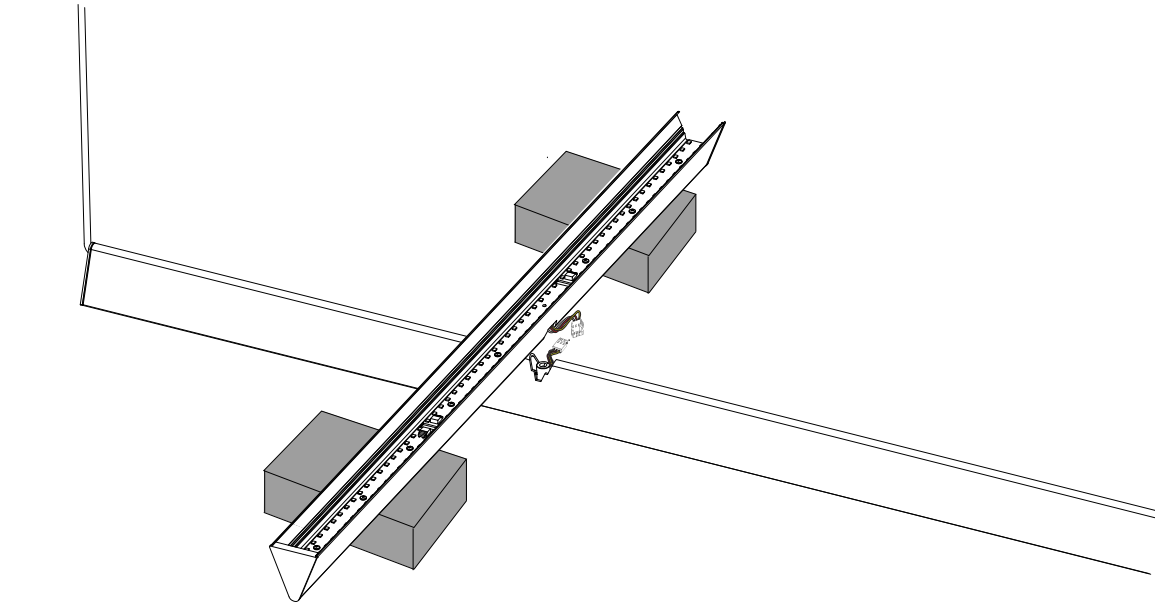
Remove endcap on short side of upright.

It is held in place with a magnet.

Pull tape up to remove lens
then remove tape.

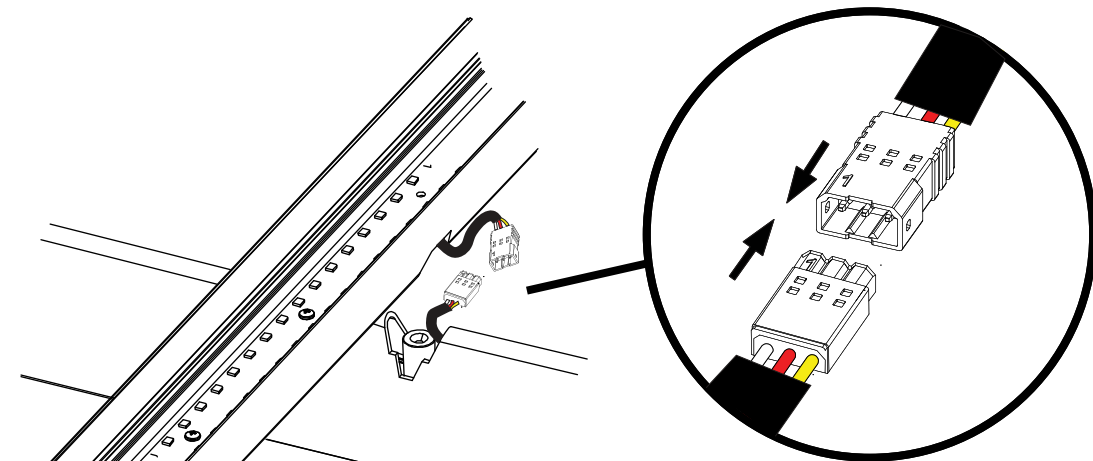


Be careful when removing endcap that it does not stick to other surfaces which could result in scratches in the paint.



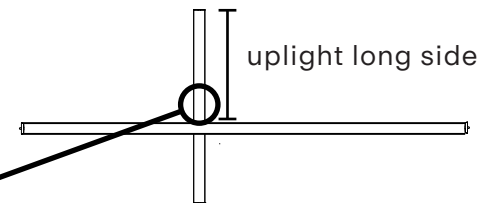
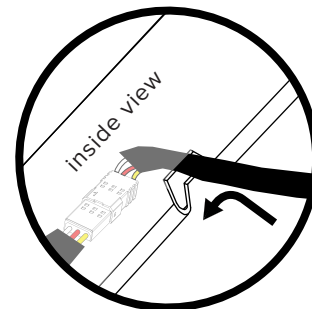
2

Before connecting the two sections of your luminaire, rest the upright on the foam in which it was shipped.



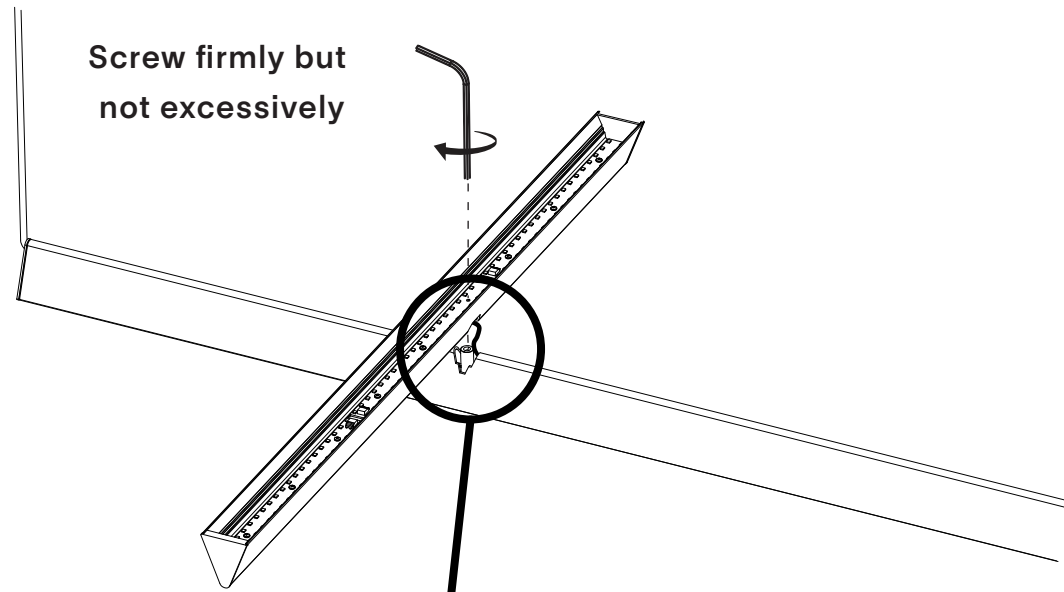
3

Make the connection between the two sections. Then carefully push them back into the upright long side.

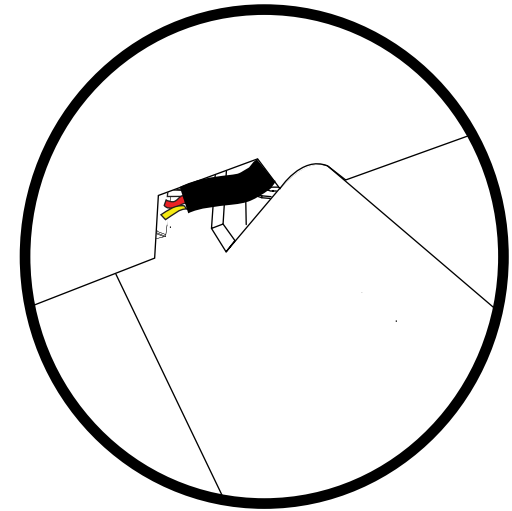
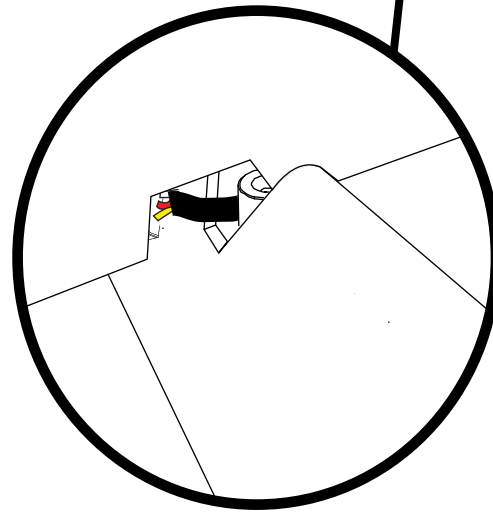


4

Reorientate upright into the slot of the downlight.
Screw it into place with provided allen key.



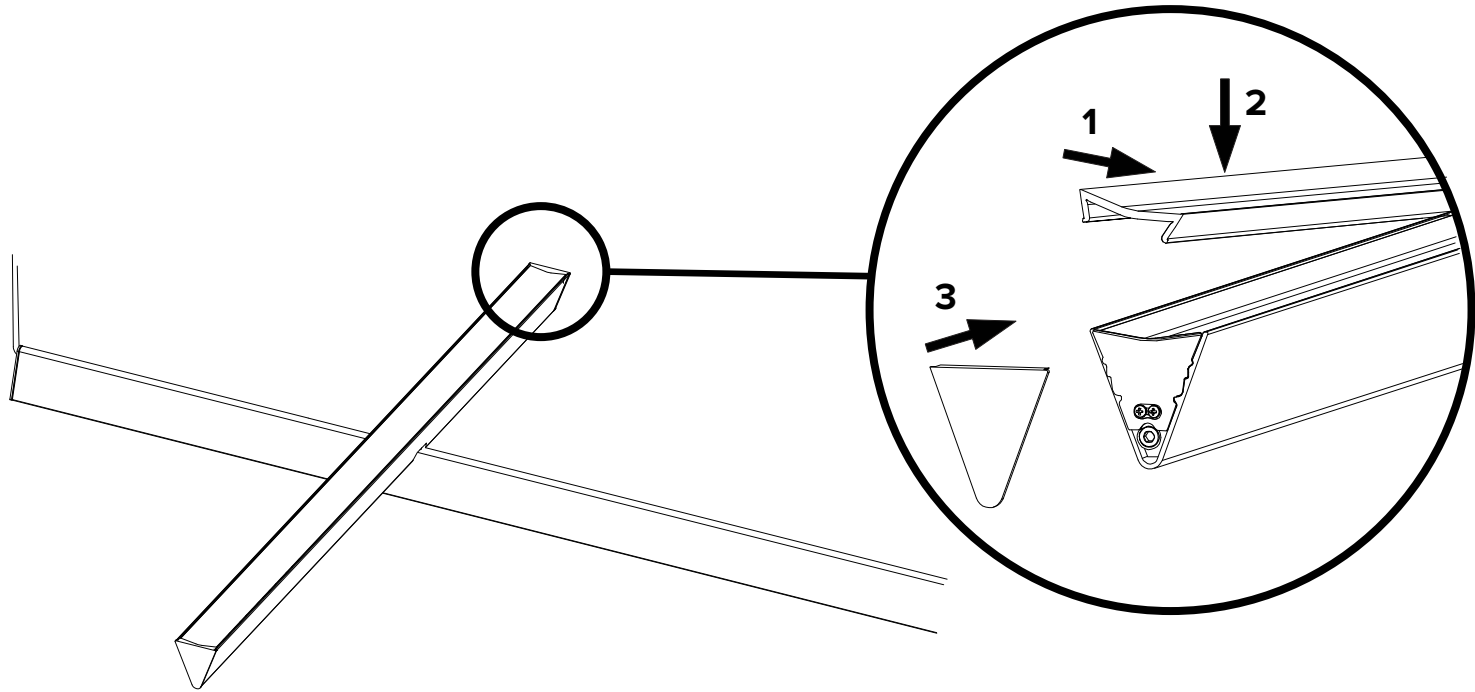
X



While you bring the two extrusions together ensure to place the downlight wires next to the anchor. Make sure the wire does not sit on top of the anchor and that it does not get pinched or scuffed.

5

Slide lens into opposite endcap (1)
then snap lens back into slots (2).
Replace endcap (3).



6

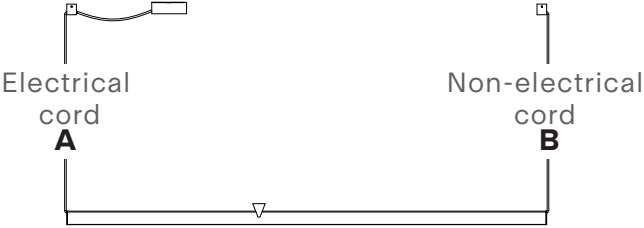
Mark anchor locations

Be sure all ceiling holes are aligned.

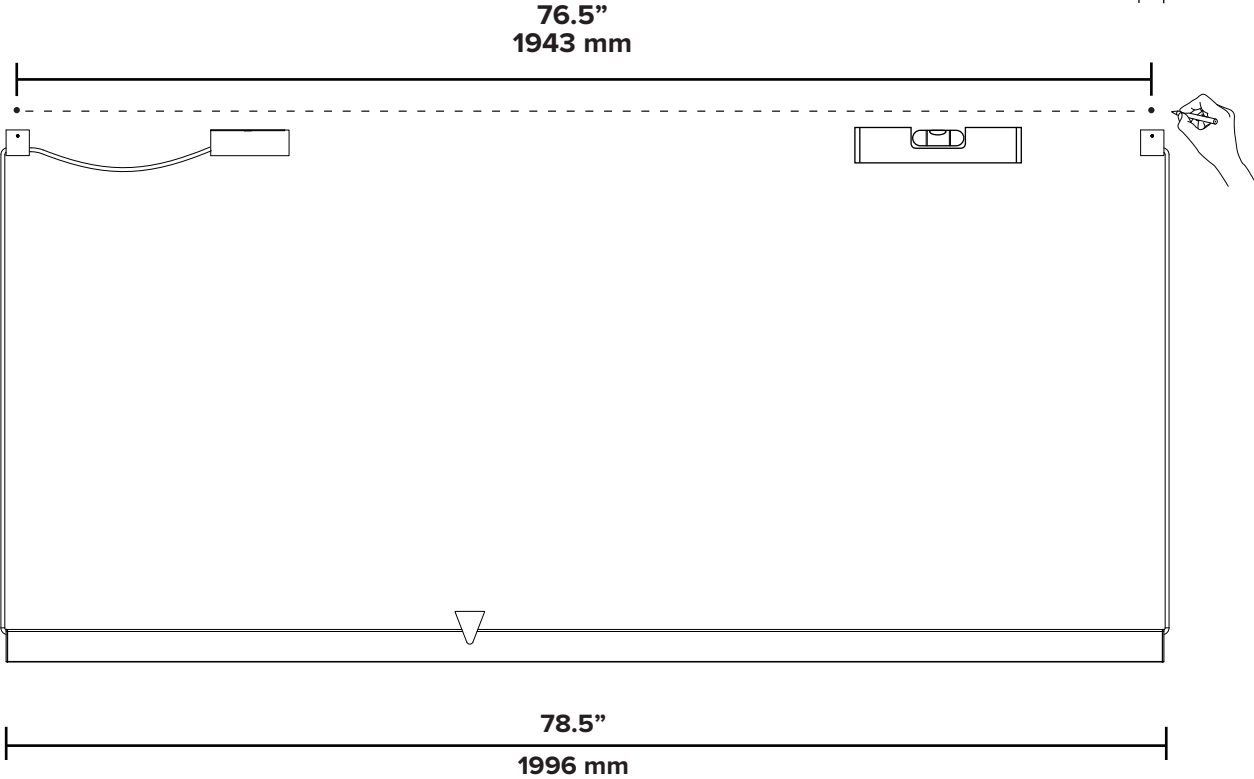
We recomend you mount luminaire with
uplight aligned with junction box.



**Make sure to use appropriate
anchors for ceiling material**



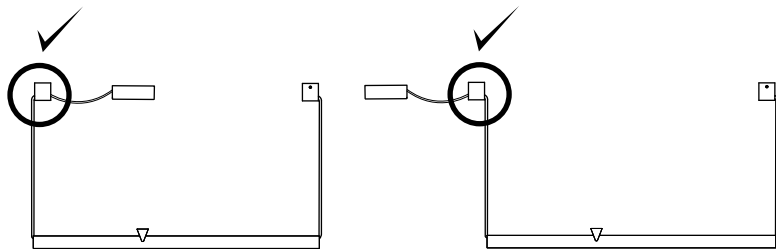
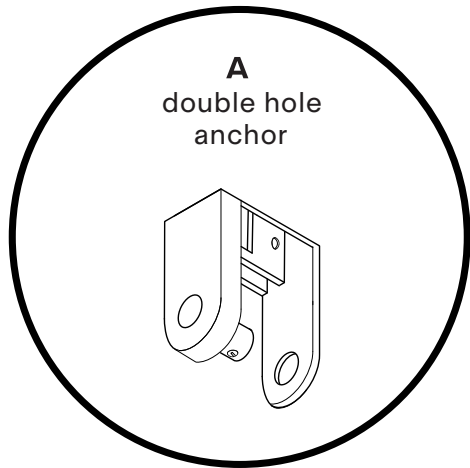
Please note the edge of
your luminaire will be
1" from your anchor hole.



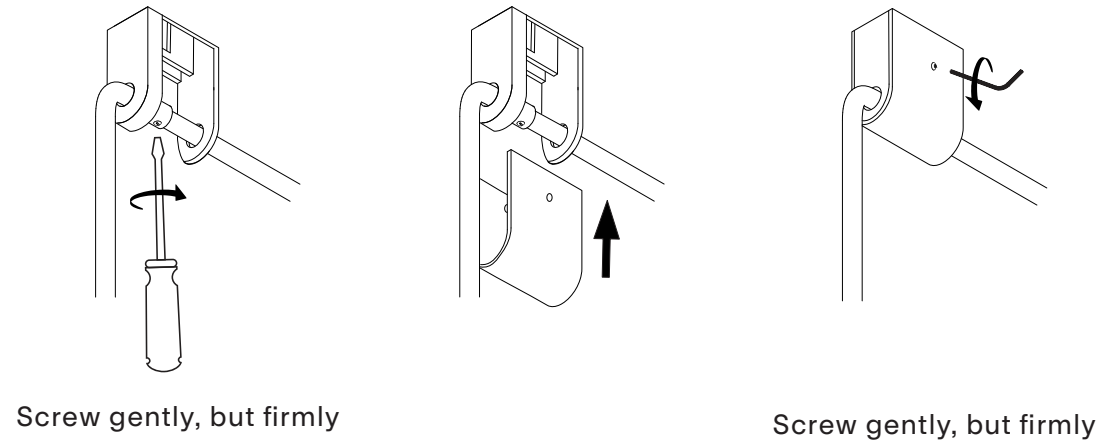
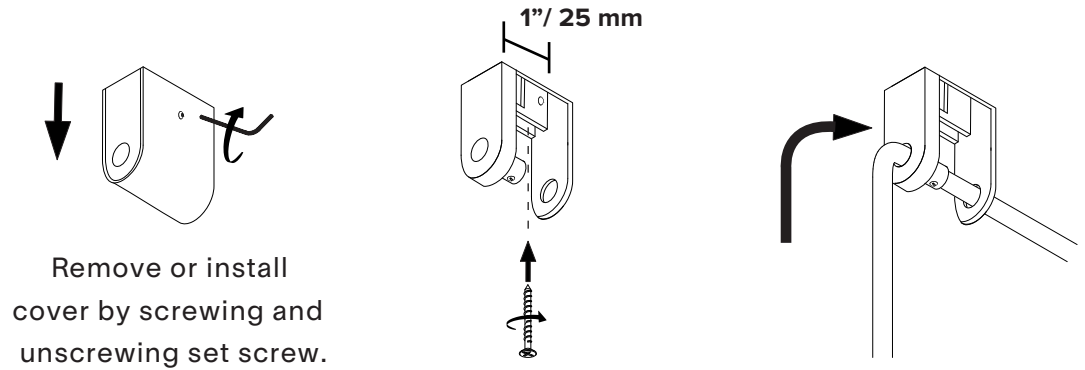
7

Mount double hole anchor
with electrical cord.

Pull wires to straighten them before
mounting them.



Make sure to use appropriate
anchors for ceiling material



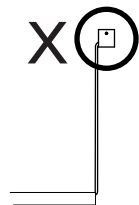
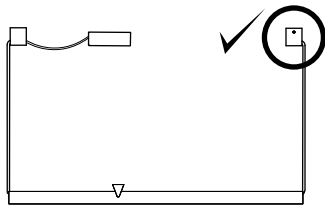
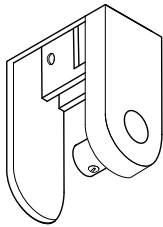
8

Mount single anchor with non-electrical cord.

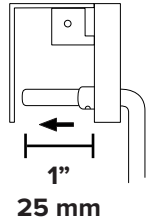
Pull wires to straighten them before mounting them.

B

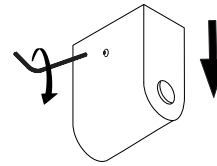
single hole anchor



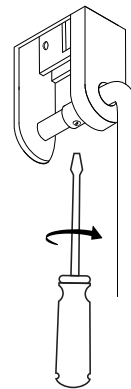
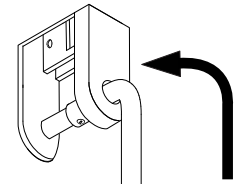
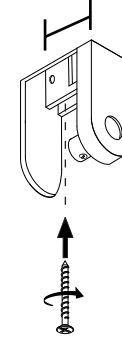
Make sure to use appropriate anchors for ceiling material



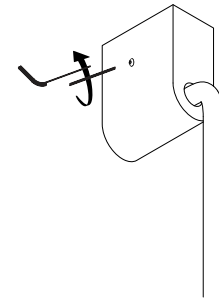
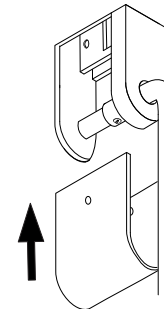
1" / 25 mm



Remove or install cover by screwing and unscrewing set screw.



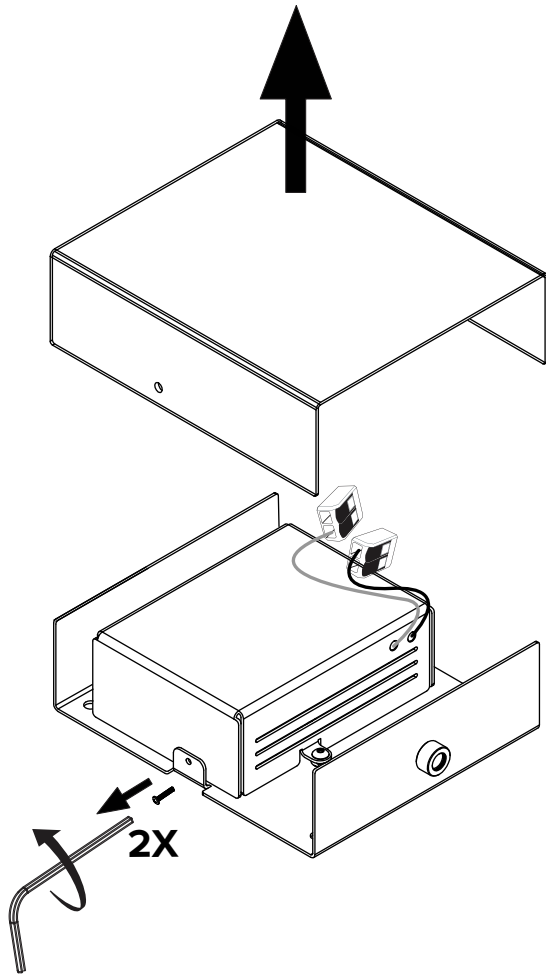
Screw gently, but firmly



Screw gently, but firmly

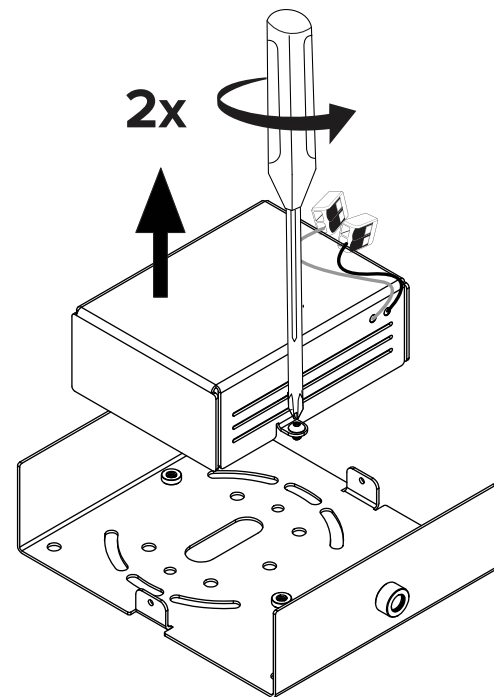
9

Open canopy cover.
It is held in place with
2 screws.



10

Unscrew driver housing.
It is held in place by two screws.
Place the housing aside.



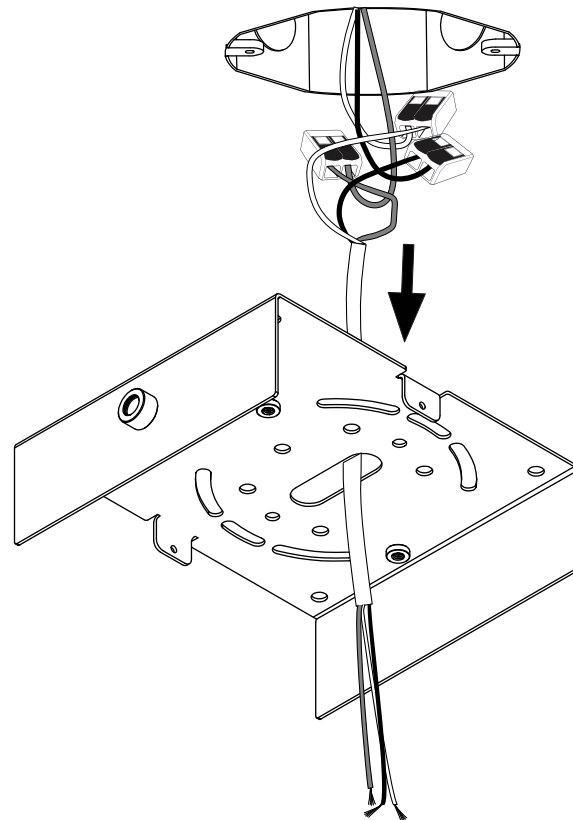
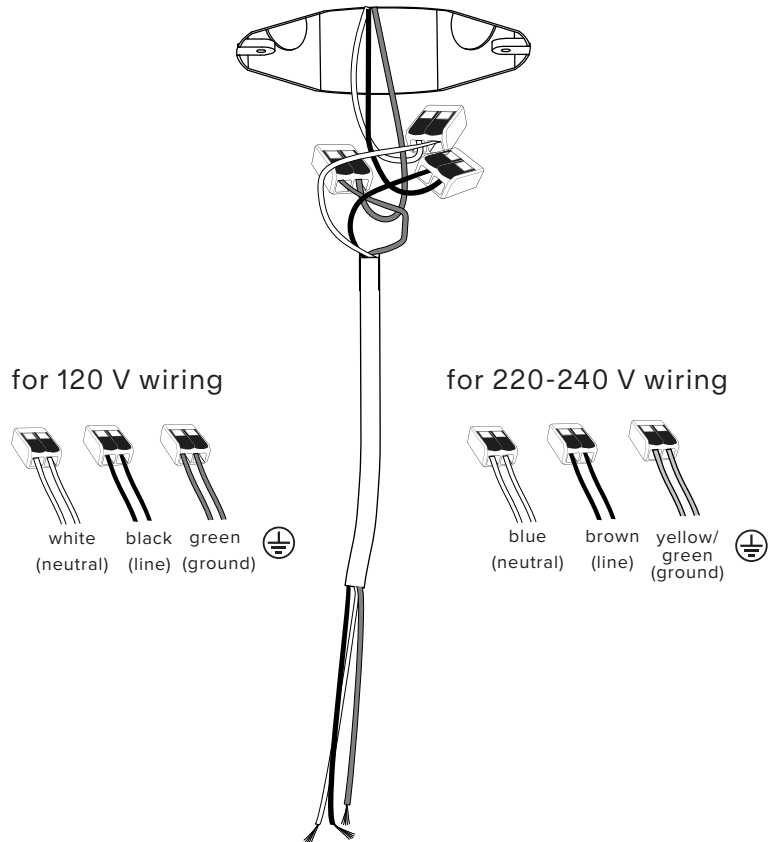
INSTALL EXTENSION HARNESS TO LINE/MAIN VOLTAGE

11

Connect the extension harness to the junction box. The harness is shipped with the canopy.

12

Pass the extension harness through center hole of canopy.



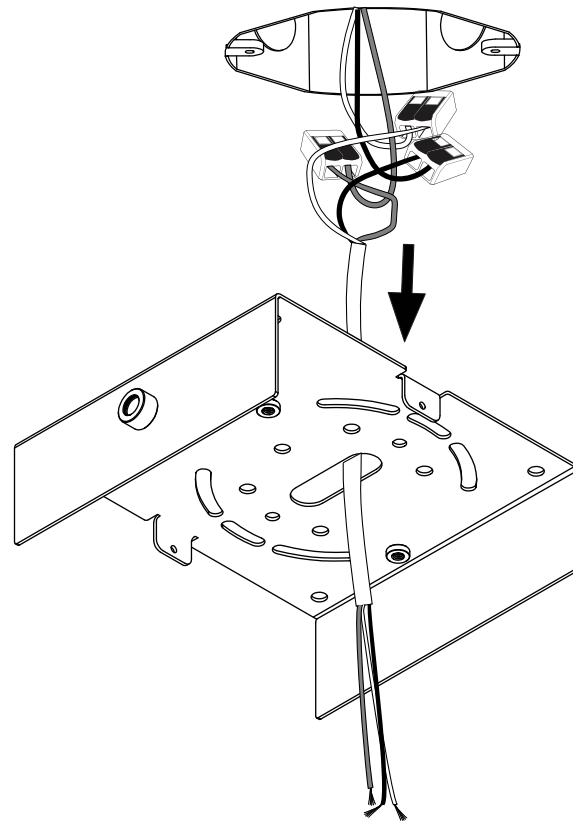
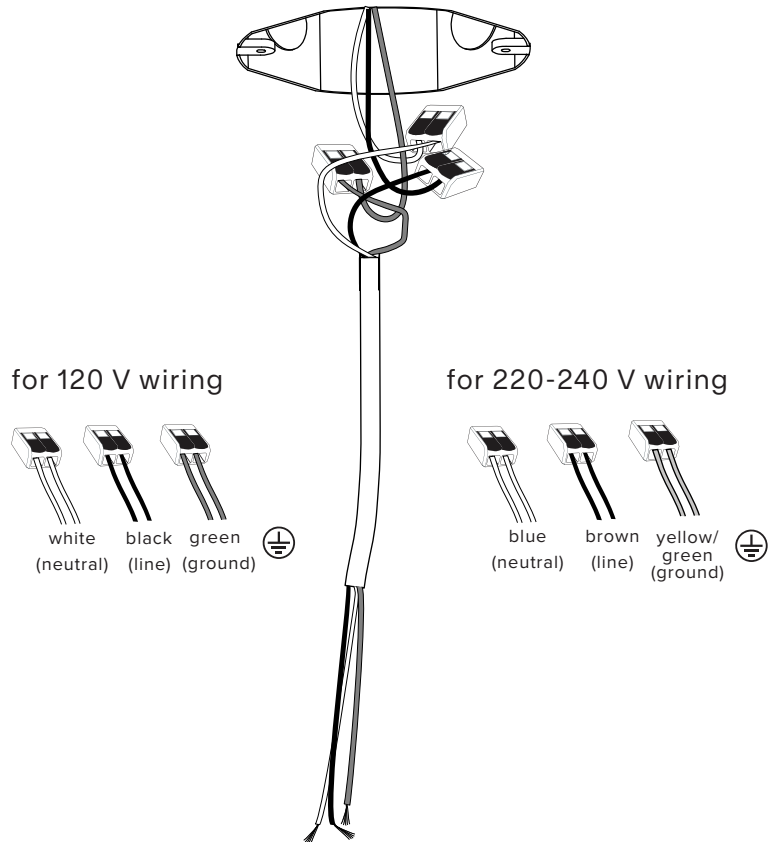
INSTALL EXTENSION HARNESS TO LINE/MAIN VOLTAGE

11

Connect the extension harness to the junction box. The harness is shipped with the canopy.

12

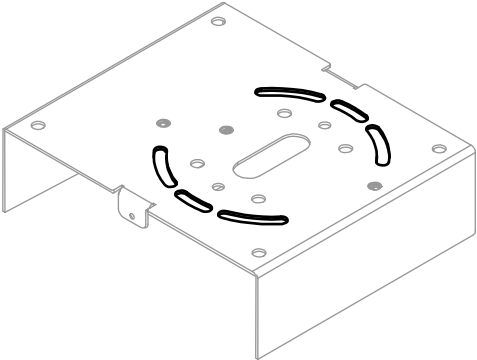
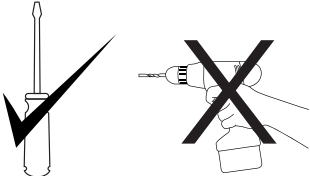
Pass the extension harness through center hole of canopy.



MOUNT CANOPY BRACKET

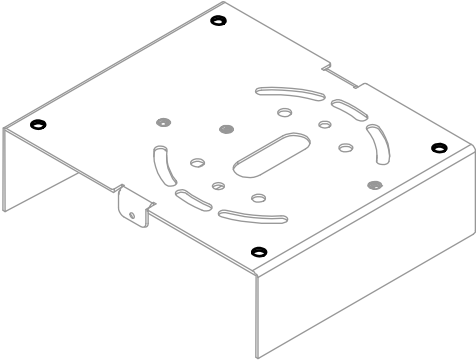
13

The canopy can either be mounted to the junction box or directly to the ceiling using appropriate holes.

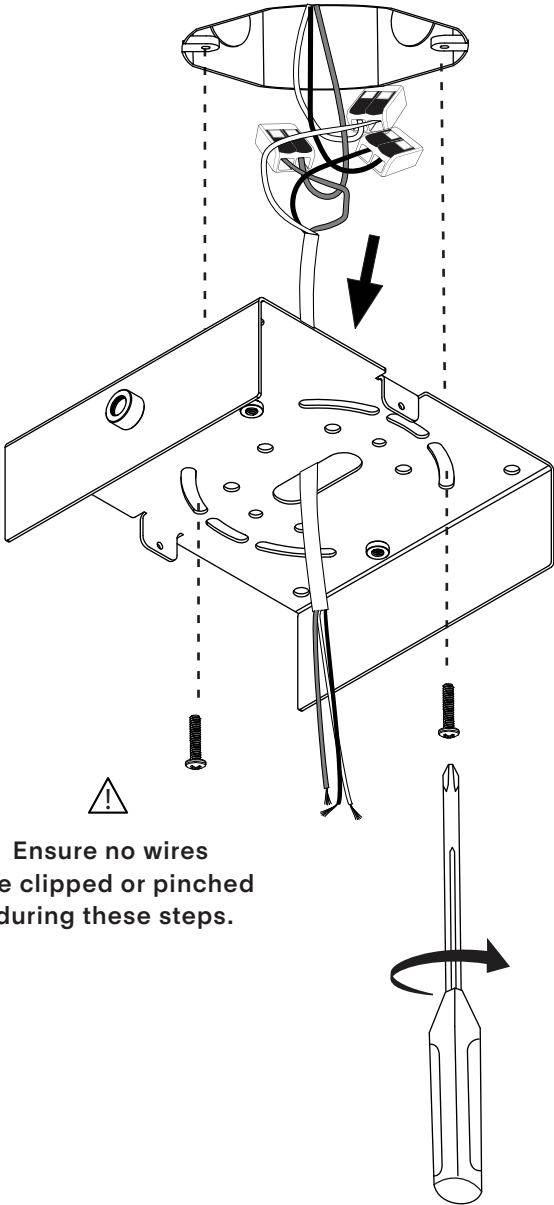


to junction box

OR



directly to the ceiling
*use appropriate anchors

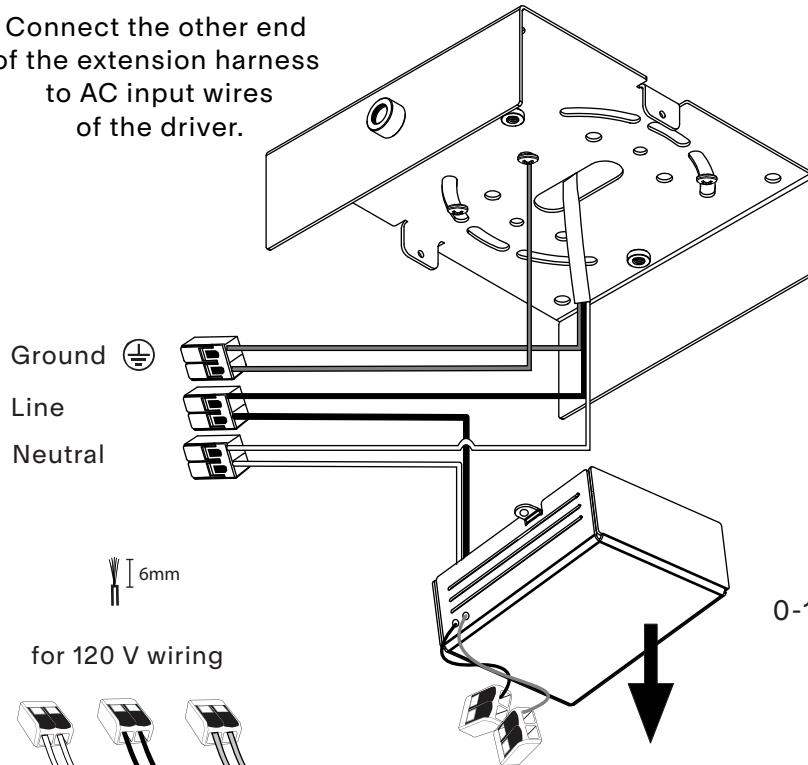


Ensure no wires are clipped or pinched during these steps.

CONNECT EXTENSION HARNESS (ELECTRICAL BOX) TO DRIVER'S AC INPUT WIRES

14

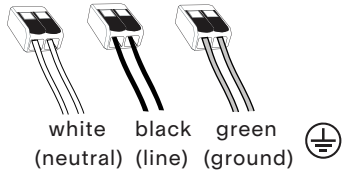
Connect the other end
of the extension harness
to AC input wires
of the driver.



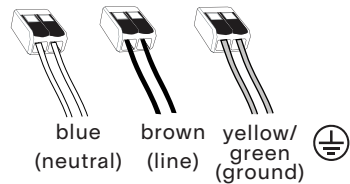
Ground ⊕
Line
Neutral

6mm

for 120 V wiring

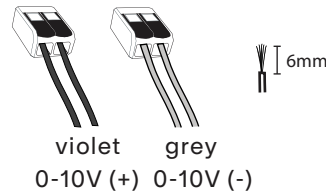


for 220-240 V wiring

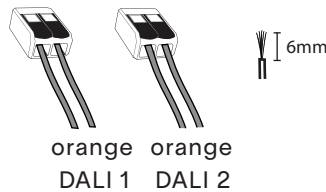


Dimming wiring
(if equipped)
If not using, cap
wires individually.

0-10V Dimming (if equipped)

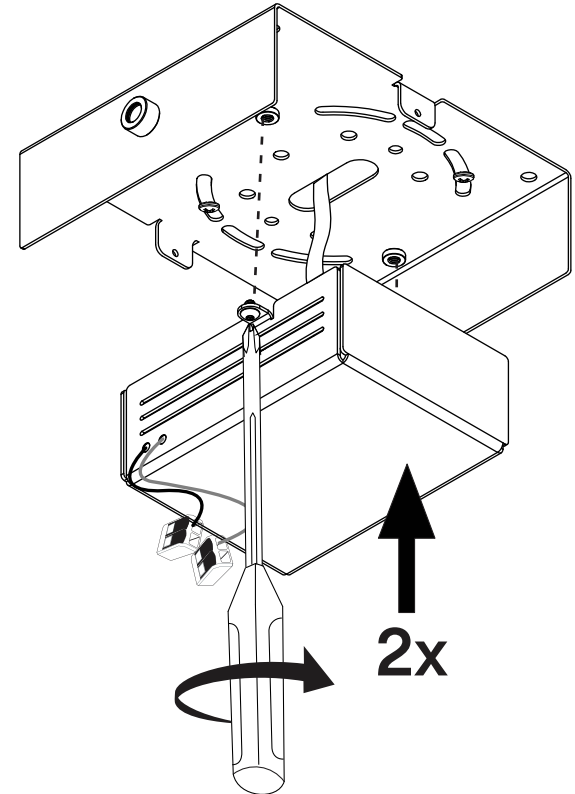


DALI Dimming (if equipped)



15

Carefully close
driver enclosure. It is
held by two screws.



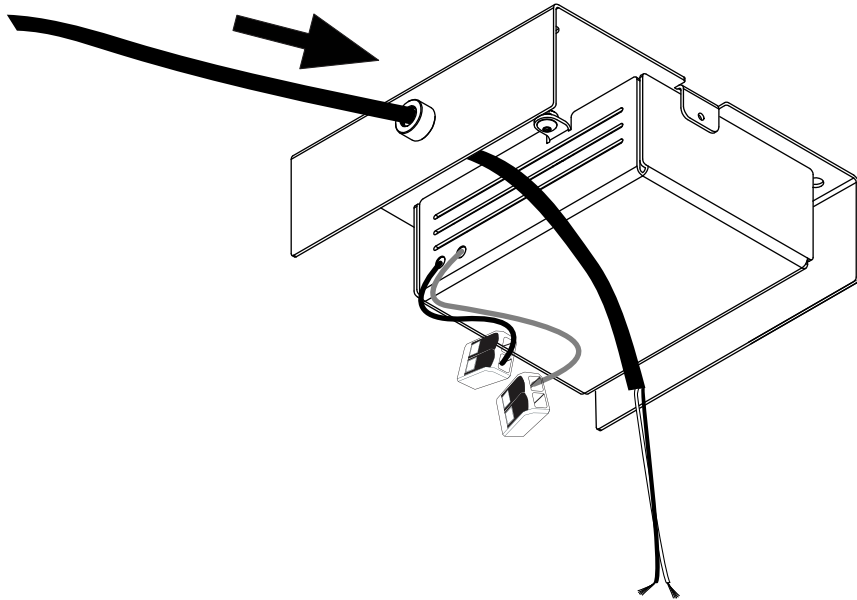
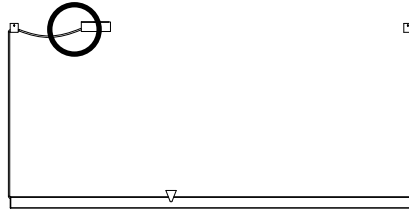
2x



Ensure no wires
are clipped or pinched
during these steps.

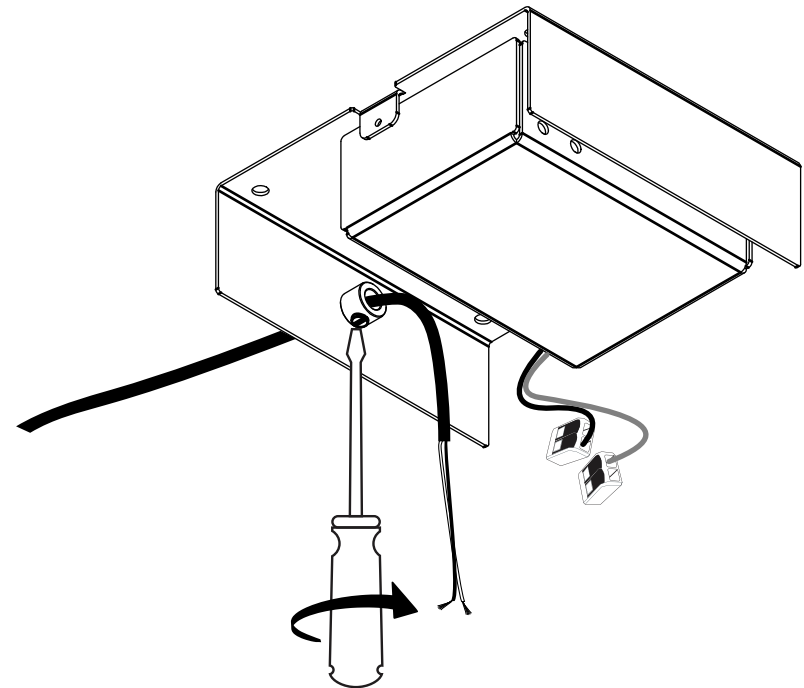
16

Feed luminaire cord into the canopy strain relief.



17

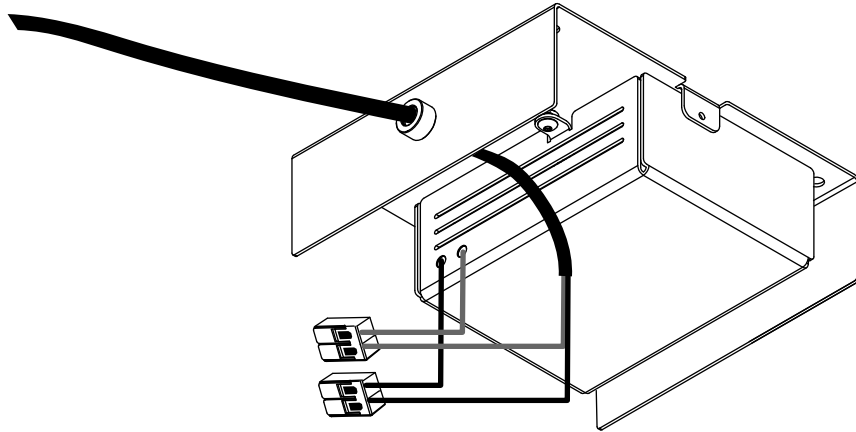
Tighten strain relief set screw when desired cord length is reached.



*screw gently but firmly

CONNECT LUMINAIRE CORD TO DRIVER DC WIRES

18



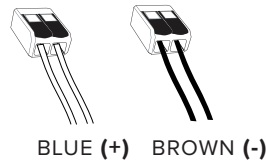
Trim end of cord to resemble this.

6" (153 mm)

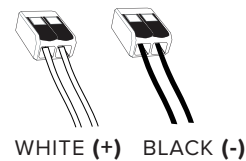
Cut green/yellow as short as possible. It is not used in this assembly

Depending on your location, the luminaire cord will either be:

Blue (+) and Brown (-)
or
White (+) and Black (-)

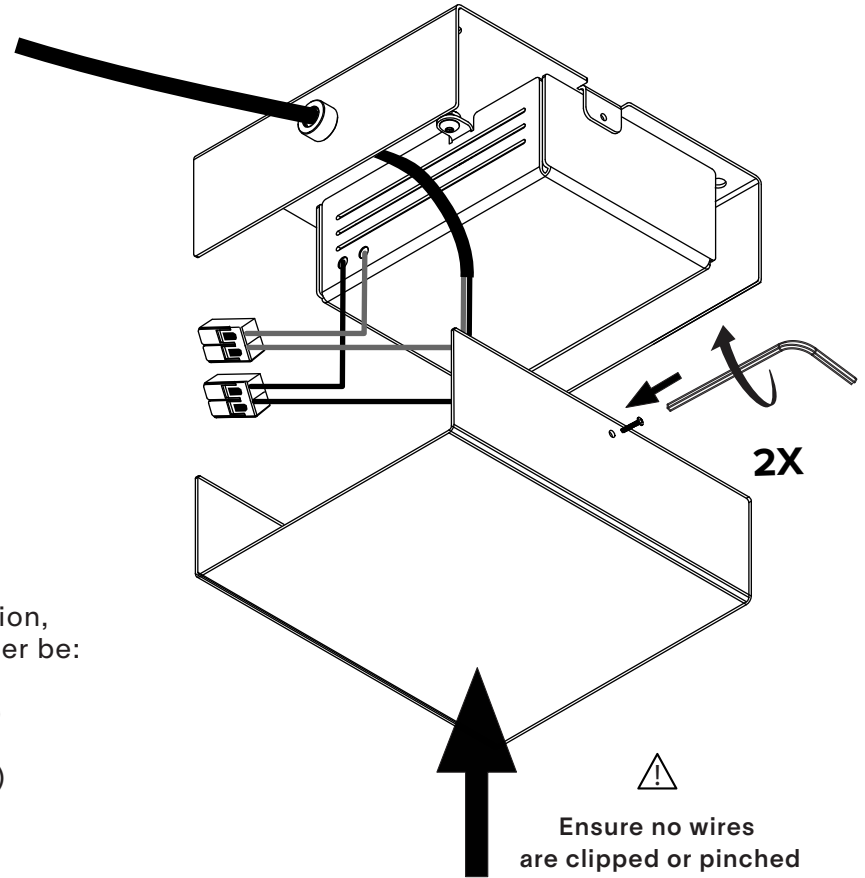


OR



19

Carefully close canopy cover that is held in place with two screws.



Ensure no wires are clipped or pinched during this step.

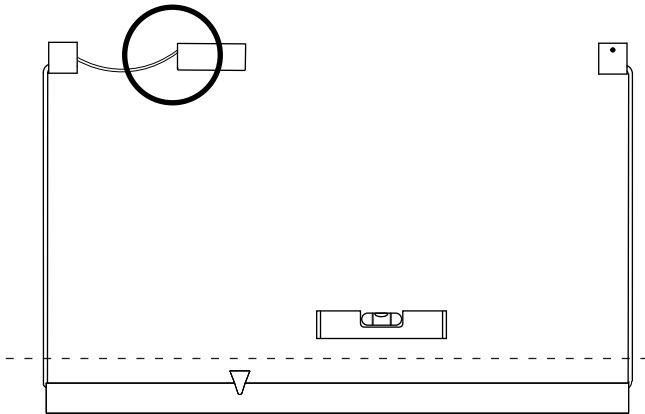
LEVELING THE LUMINAIRE



Before adjusting wire length or interior weight, carefully attempt to balance the luminaire by hand. The wire's flex can allow micro adjustments of their own.

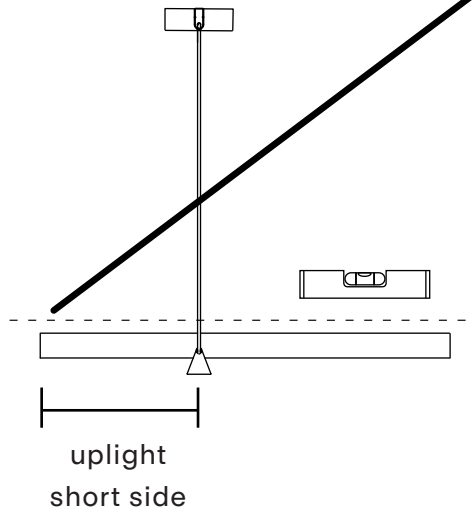
20

If necessary level downlight by adjusting length of wires.

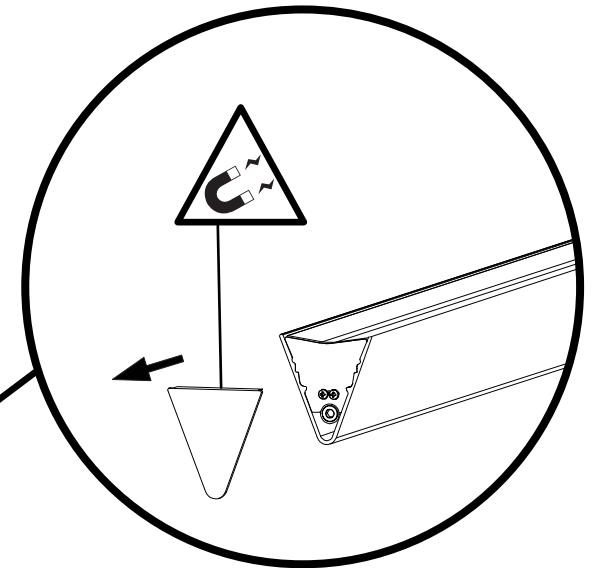


21

Should uplight adjustments be needed, remove endcap on short side arm.



Endcap is held in place with a magnet.



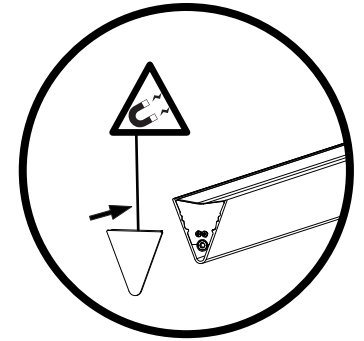
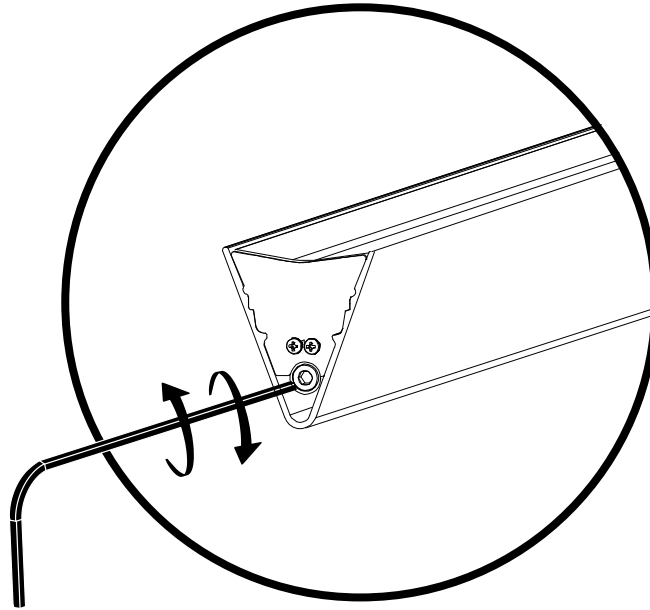
Becareful when removing endcap that it does not stick to other surfaces which could result in scratches in the paint.

22

The adjustment screw holding the balance weight is now visible. Use supplied allen key to screw weight in or out depending on balance.



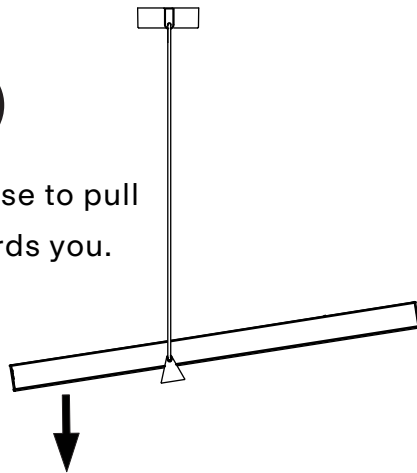
Note that the endcap affects final balance of luminaire!
Luminaire will not appear balanced until the cap is in place.



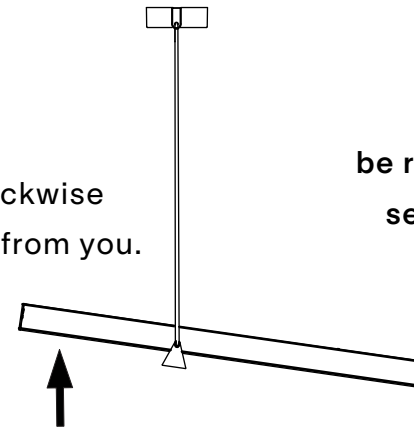
Replace endcap when adjustments are complete



Screw clockwise to pull weight towards you.



Screw counter-clockwise to push weight away from you.



Readjustments may be required as your luminaire settles and the wires flex.