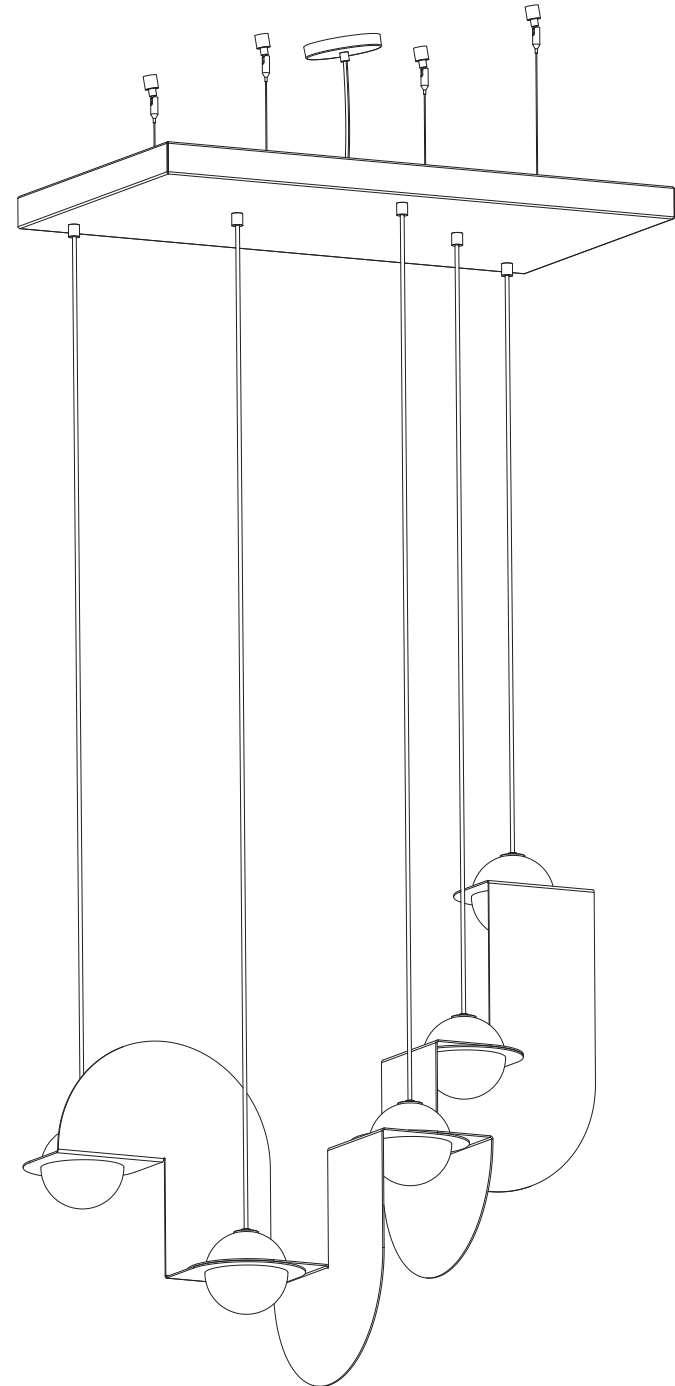


LAURENT ATELIER - SUSPENDED

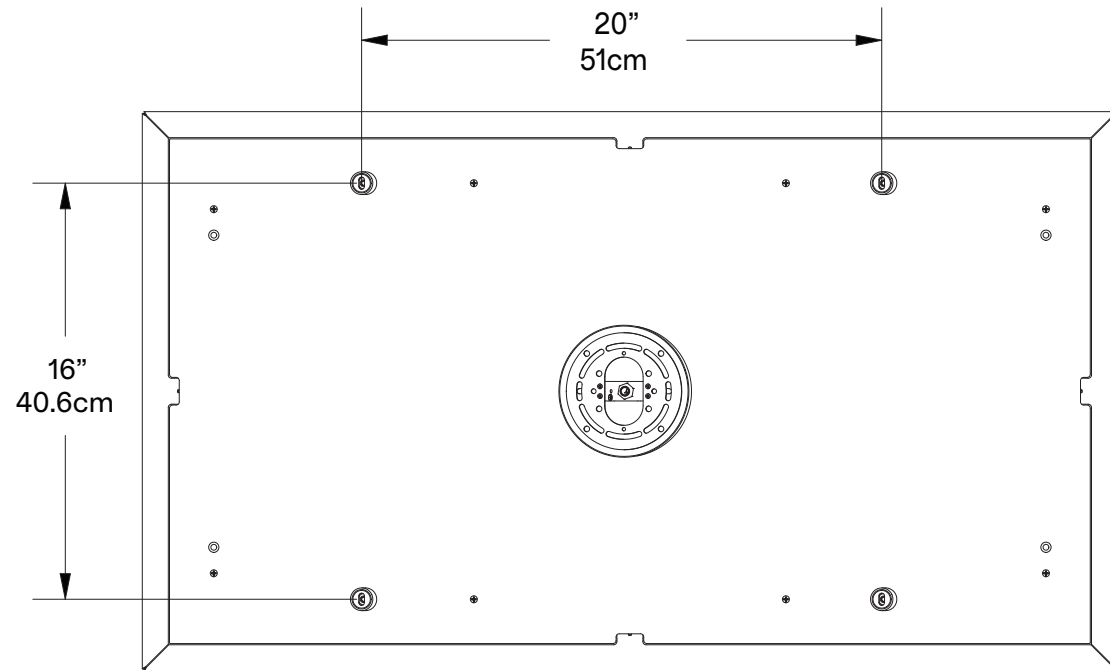


- Please read entire manual before beginning install
- To be installed by an electrician to an electrical box
- Use appropriate screws where necessary
- Wear enclosed gloves when handling lamp
- Handle materials with care. Please consult lamp maintenance sheet on our web site
- Should be used exclusively as a lamp and not as a shelving, display or hanging unit



1

Mark anchor locations
using electrical box and
canopy as a guide.

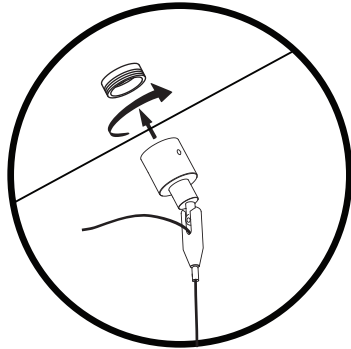
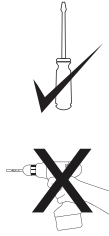
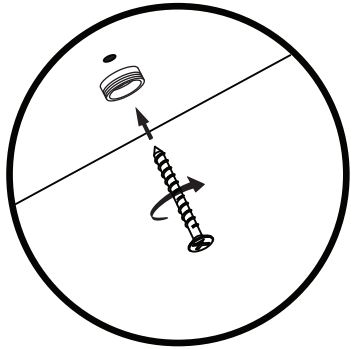




Only for ceilings slanted **45°** or less

2

Install ceiling anchors then screw the gripper onto it.

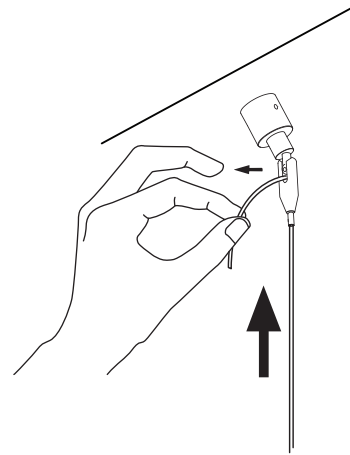


USE APPROPRIATE ANCHORS

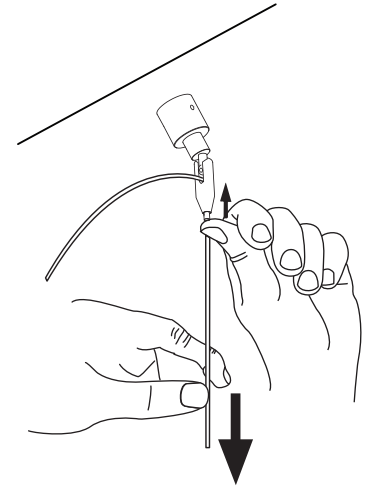
3

To raise your luminaire pull on cable.

To lower luminaire push up on plunger while holding the cable, then pull downwards.



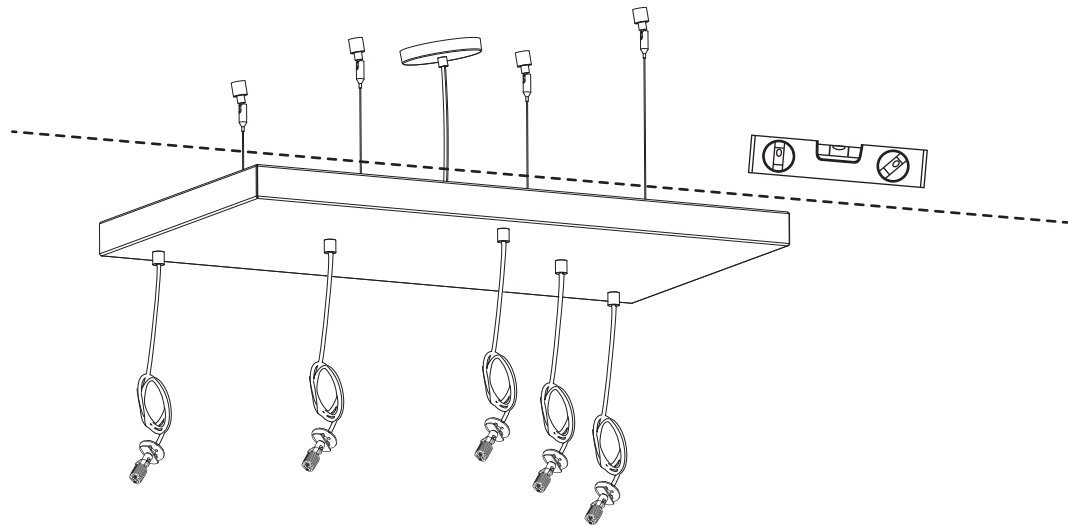
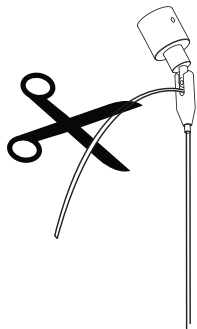
UP



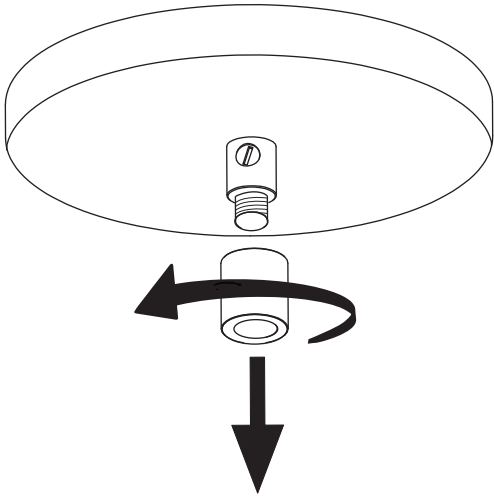
DOWN

4

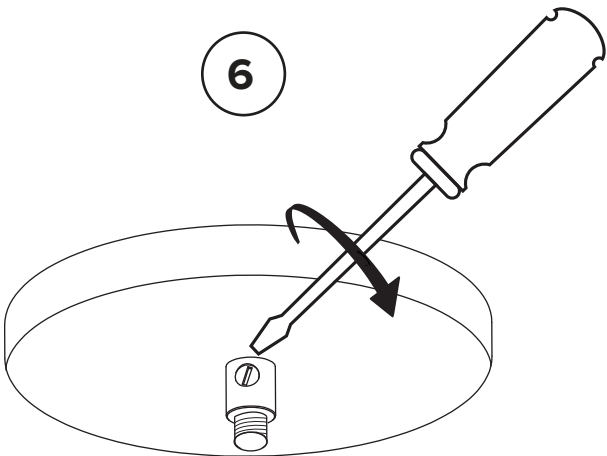
Trim excess cable only after final height and level are reached.



5

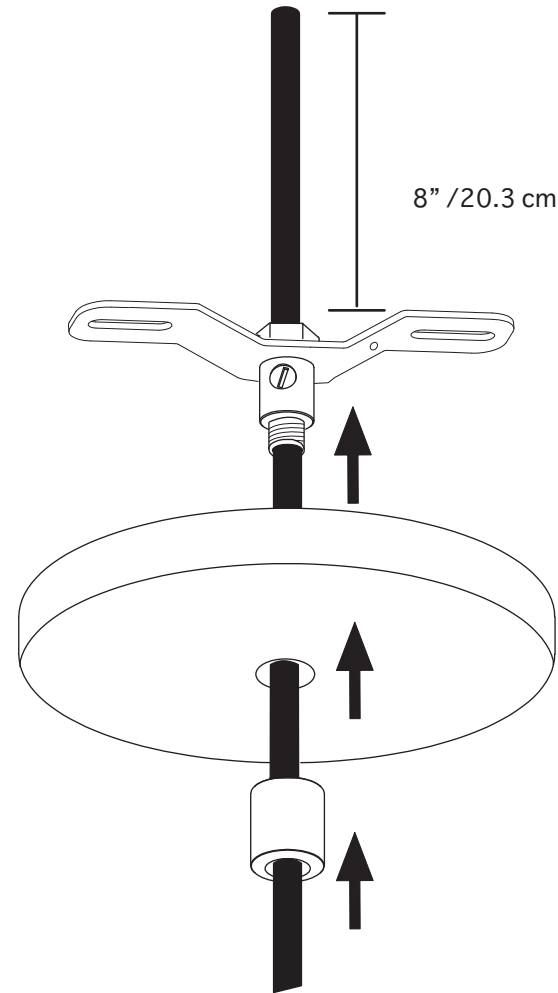


6



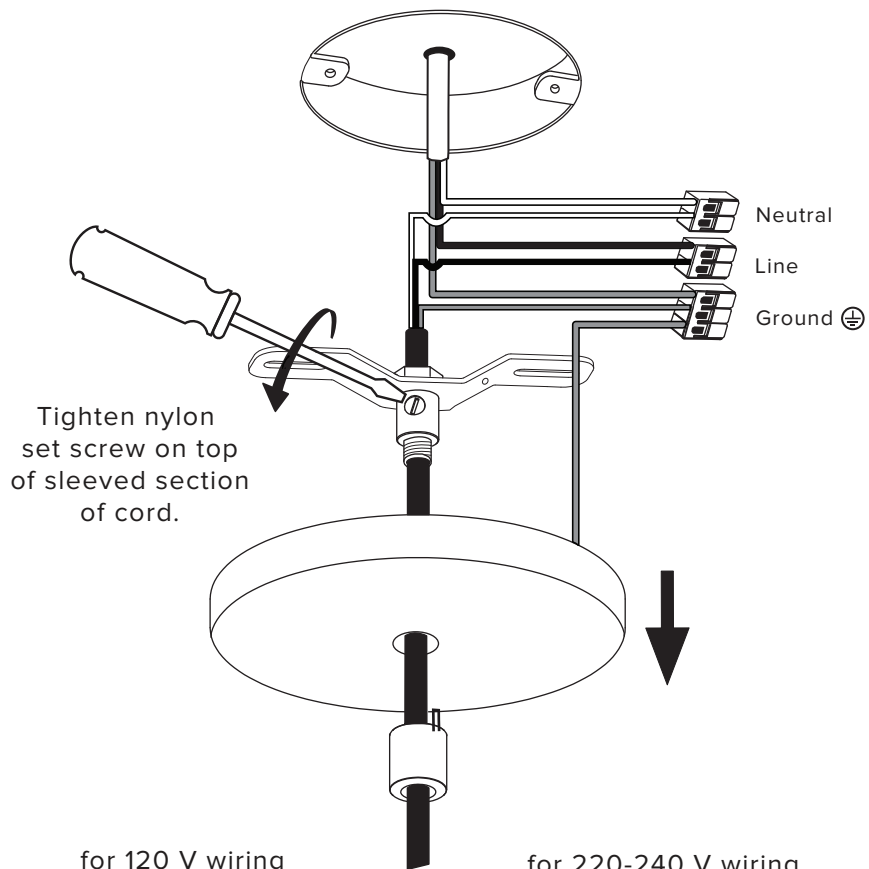
7

Feed cord through then adjust cord length. Leave 8" / 20.3 cm of cord after the bracket.

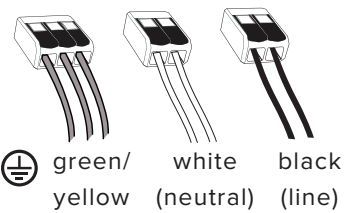


8

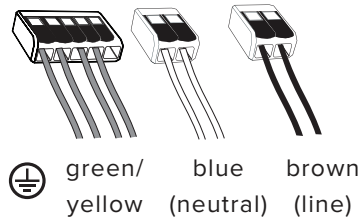
MAKE MAIN /LINE VOLTAGE CONNECTIONS



for 120 V wiring

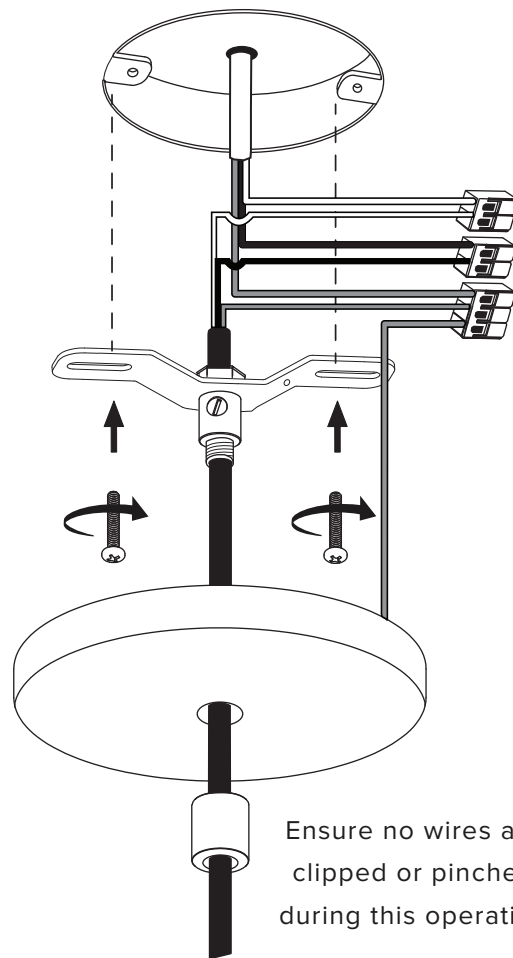


for 220-240 V wiring

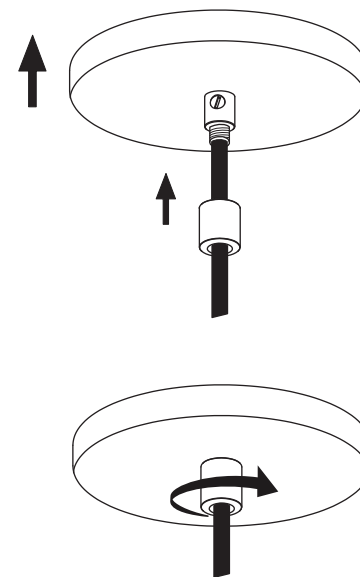


6mm

9



10



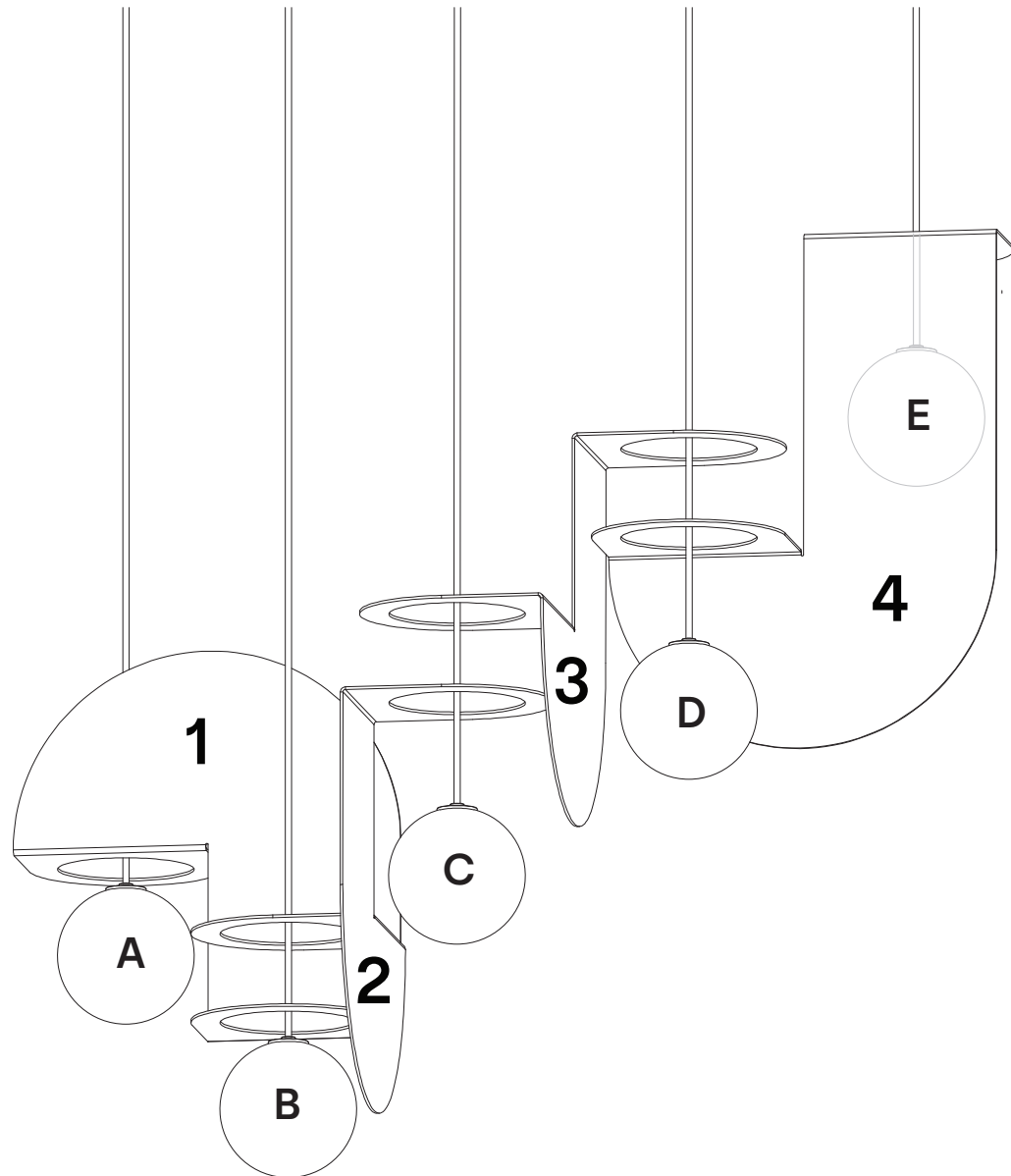
11

The globes and shades need to be installed in order as presented. There are aluminium and steel shades that need to be layered correctly.

The shades are clearly labeled.

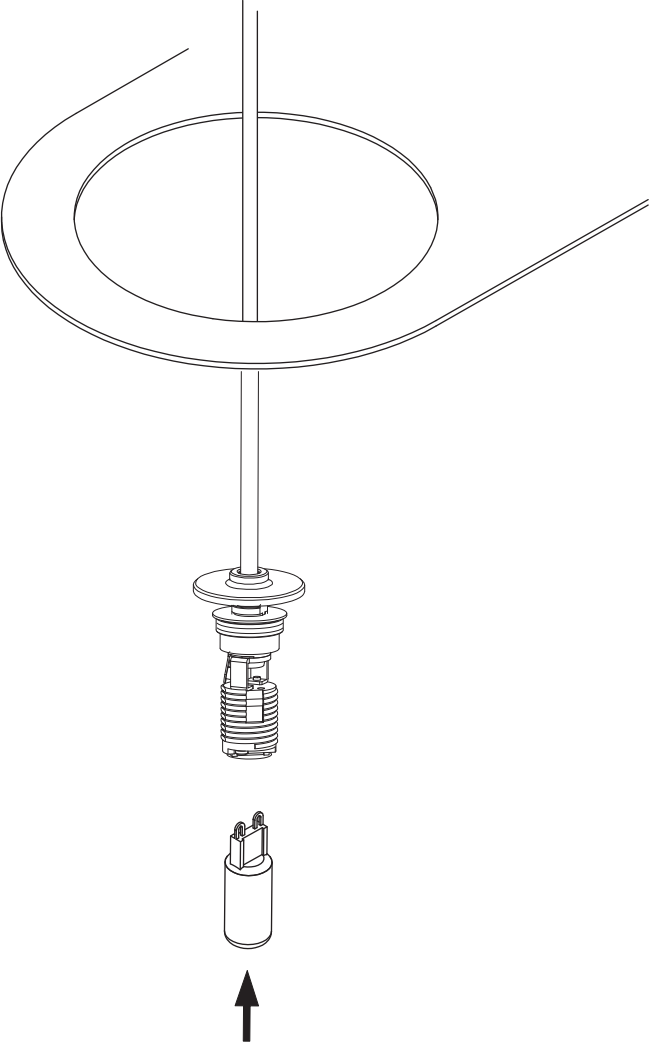
After each step (1 to 5) screw on the globes by following the steps on next page.

1. Pass wire for globe **A** through shade **1**
2. Pass wire for globe **B** through shade **2**, then **1**
3. Pass wire for globe **C** through shade **3**, then **2**
4. Pass wire for globe **D** through shade **3**, then **4**
5. Pass wire for globe **E** through shade **4**



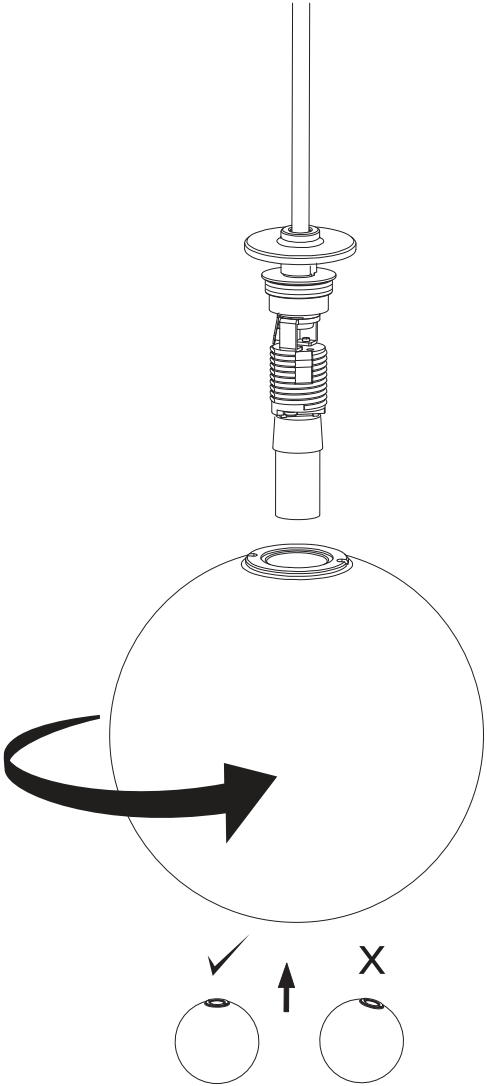
12

Place the wire through the shade



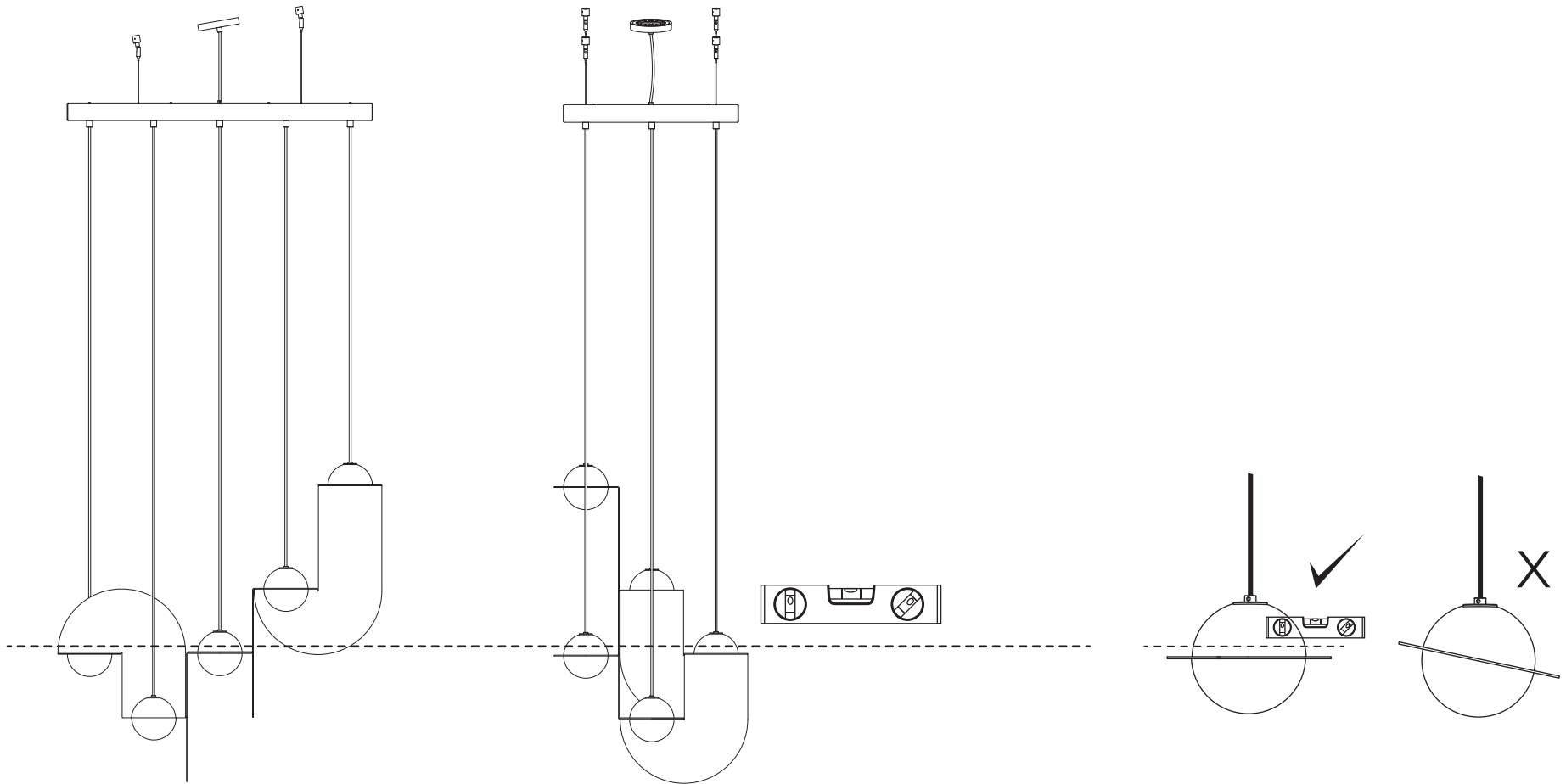
13

Screw the globe to the assembled light source.



14

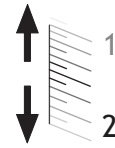
Make sure the luminaire is level and balanced.



15

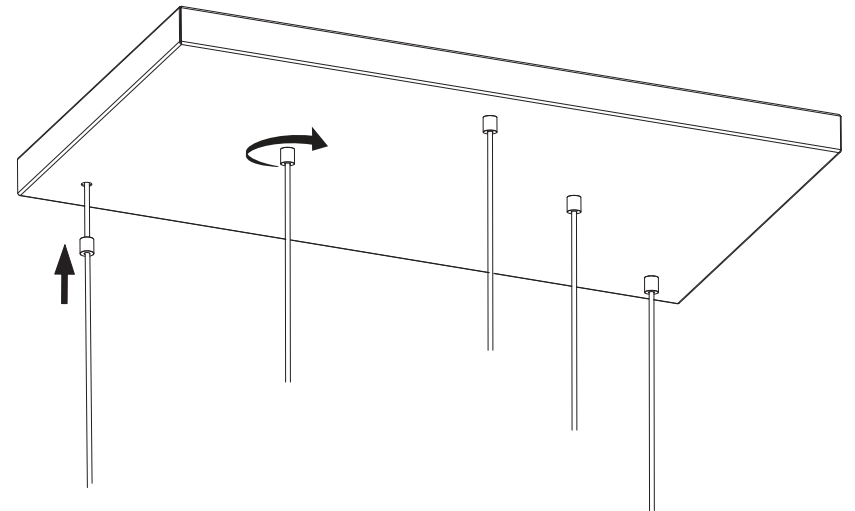
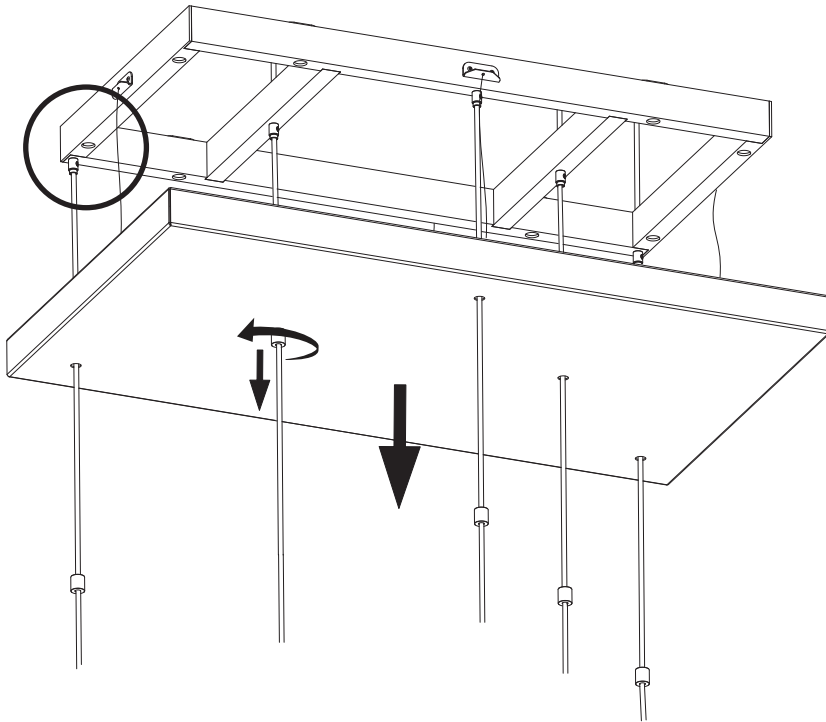
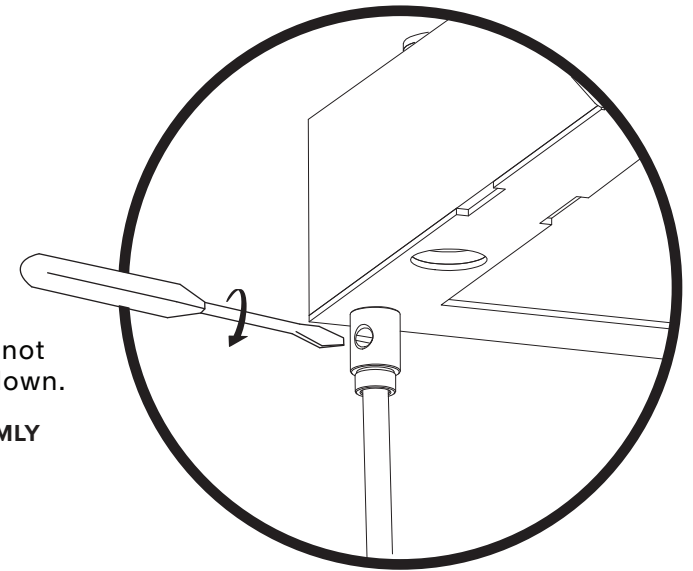
If micro adjustments to wire length are needed, open canopy cover by rotating the 5 caps.

The lower part of the canopy is temporarily held in place with stainless steel cables to facilitate adjustments.



Micro-adjustments cannot exceed 1" / 2.5cm up or down.

SCREW GENTLY BUT FIRMLY



When adjustments are complete, raise the canopy cover and secure it in place by screwing the caps back into place.

Make sure the stainless steel cable is tucked inside of the canopy cover when raising it.