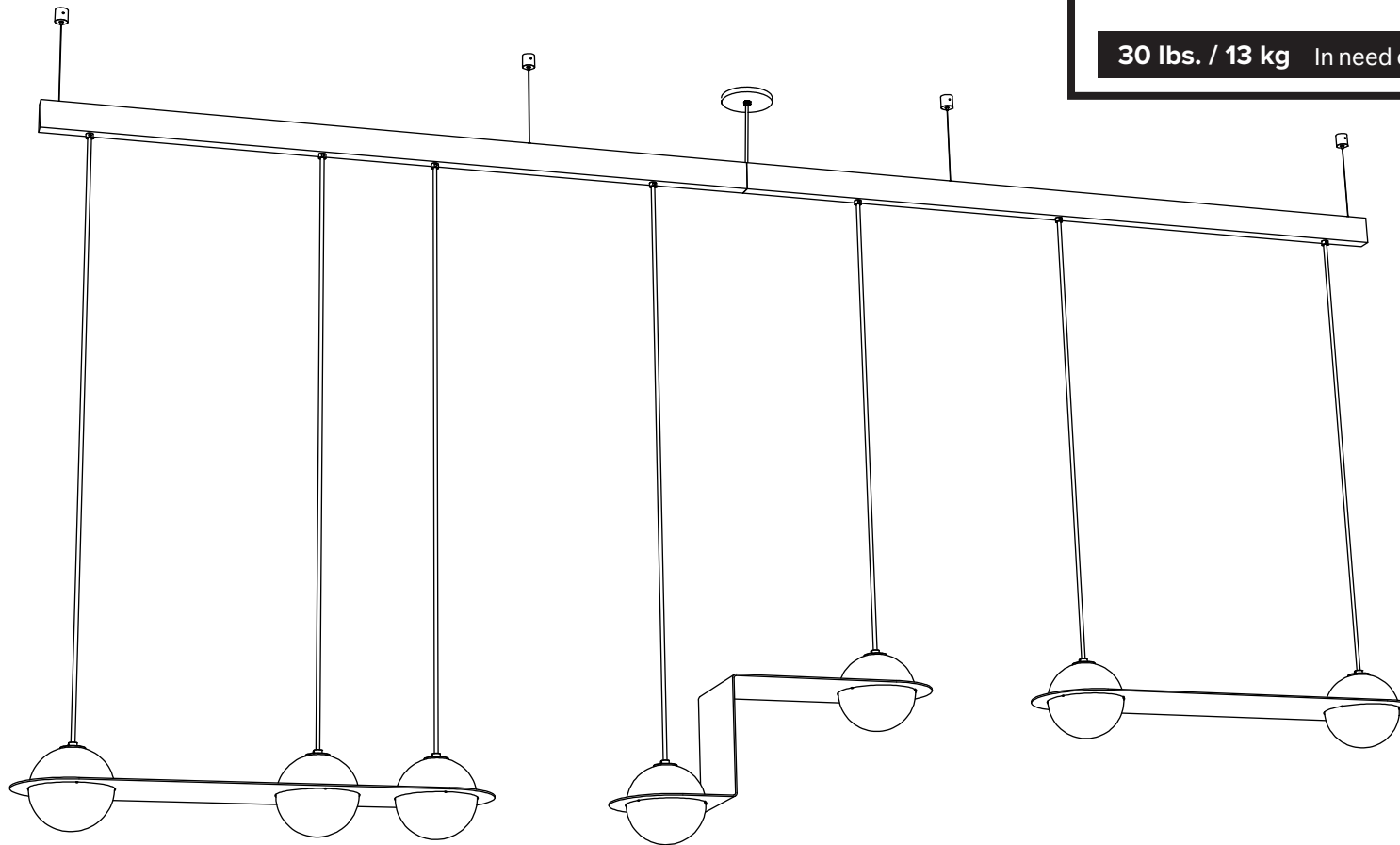


LAURENT 14



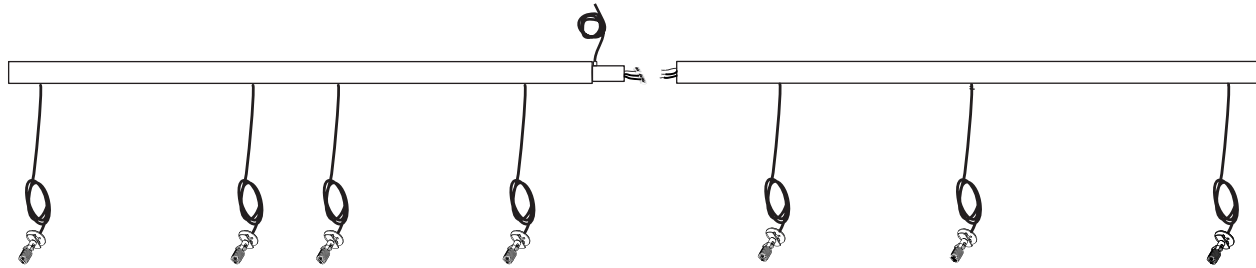
- To be installed by an electrician to an electrical box
- Use appropriate screws where necessary
- Wear enclosed gloves when handling lamp
- Handle materials with care. Please consult lamp maintenance sheet on our web site
- Should be used exclusively as a lamp and not as a shelving, display or hanging unit



30 lbs. / 13 kg In need of background nailing

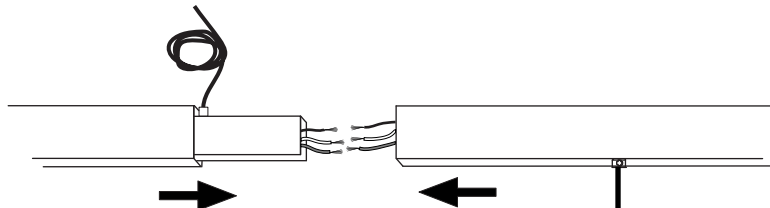
1

To ensure easy assembly and efficient shipping, the luminaire has been shipped as two parts that are assembled together

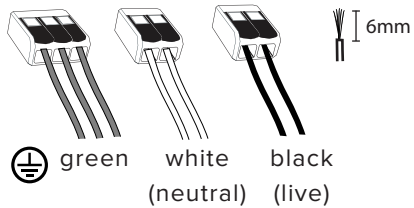


2

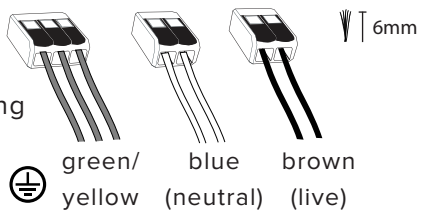
Make connection between bars.



for 120 V wiring

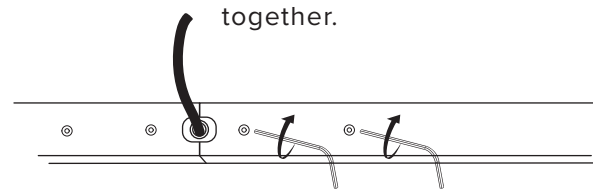


for 220-240 V wiring



3

Carefully place wires and Wagos in between connecting plates of the bars before sliding the bars



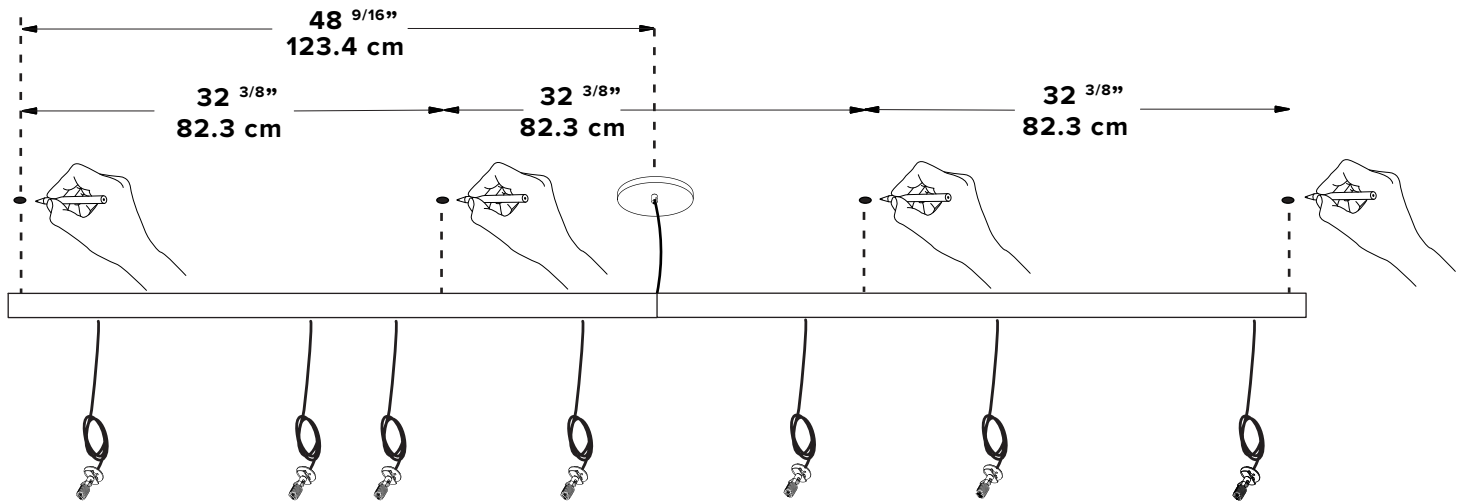
view from the top



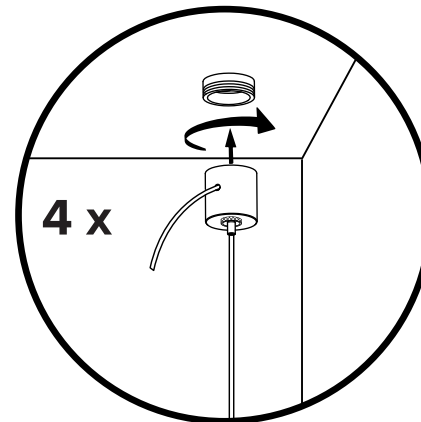
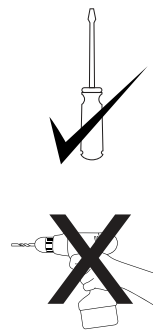
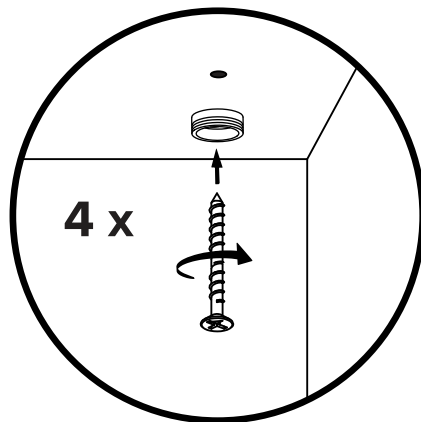
Ensure no wires are clipped or pinched during this operation.

4

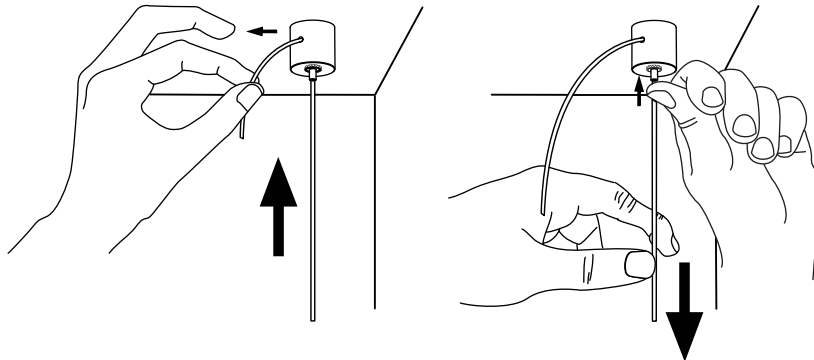
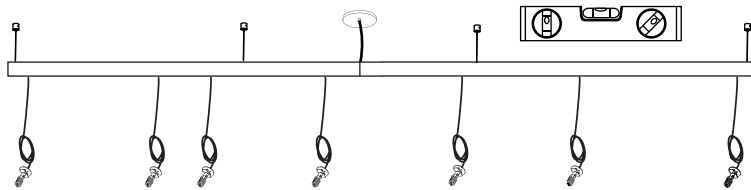
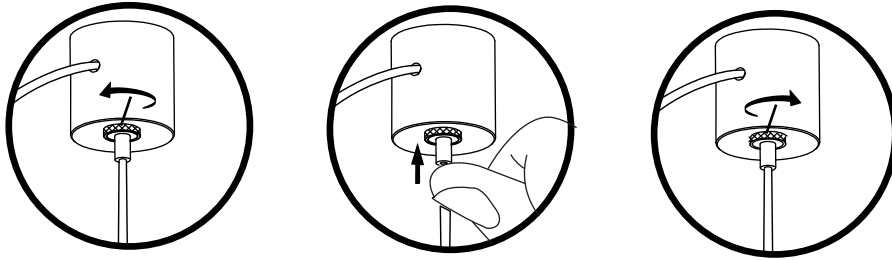
Mark anchor locations using your electrical box and canopy as a guide



5

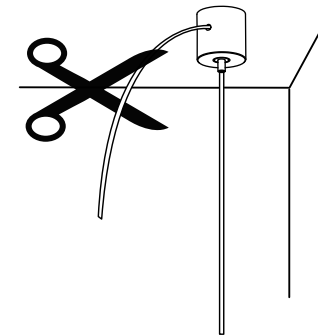


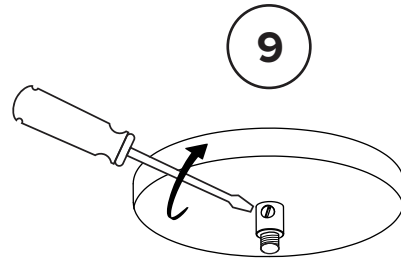
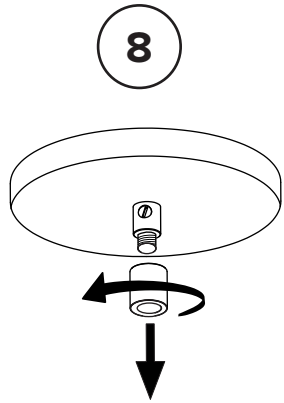
6



7

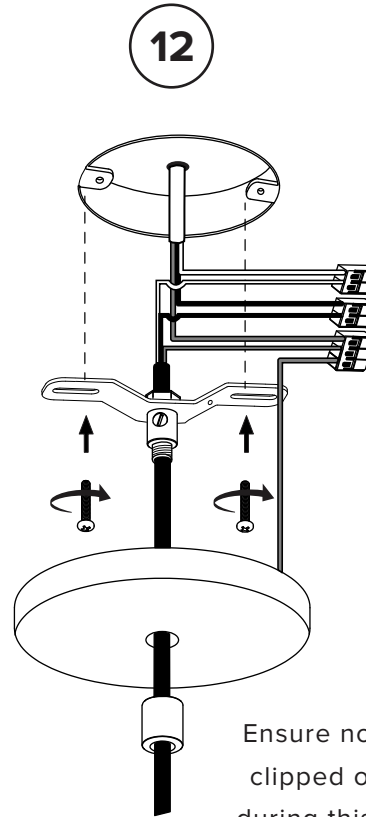
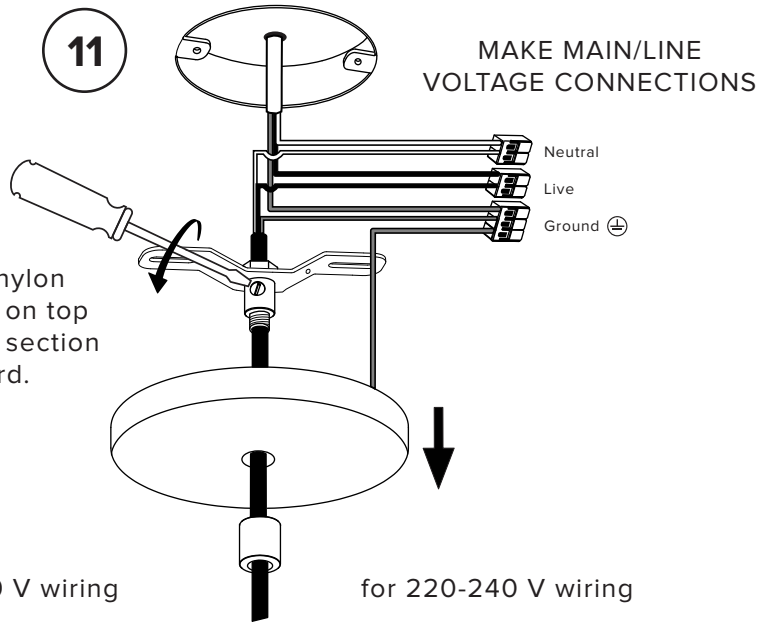
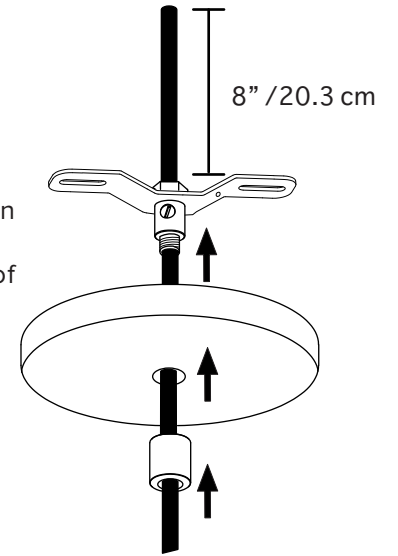
Trim extra cable when
desired level and height
are achieved



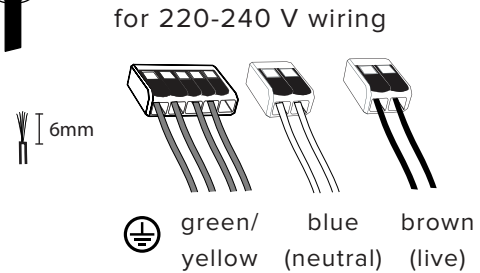
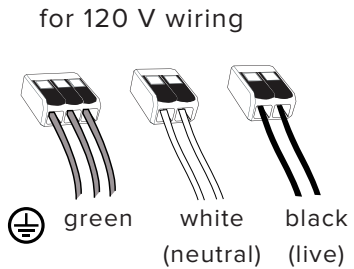
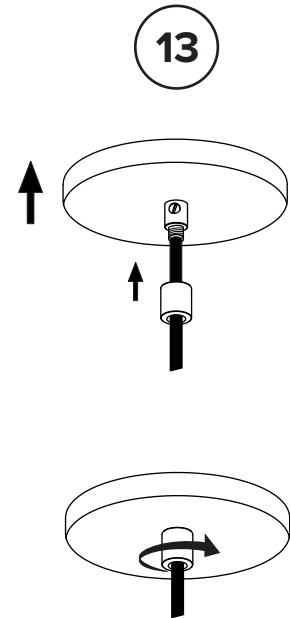


10

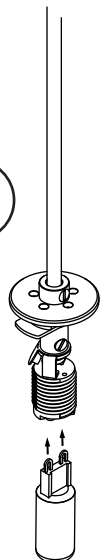
Feed line/main voltage cord A through then adjust cord length. Leave a minimum of 8" / 20.3 cm of cord after the bracket.



Ensure no wires are clipped or pinched during this operation.



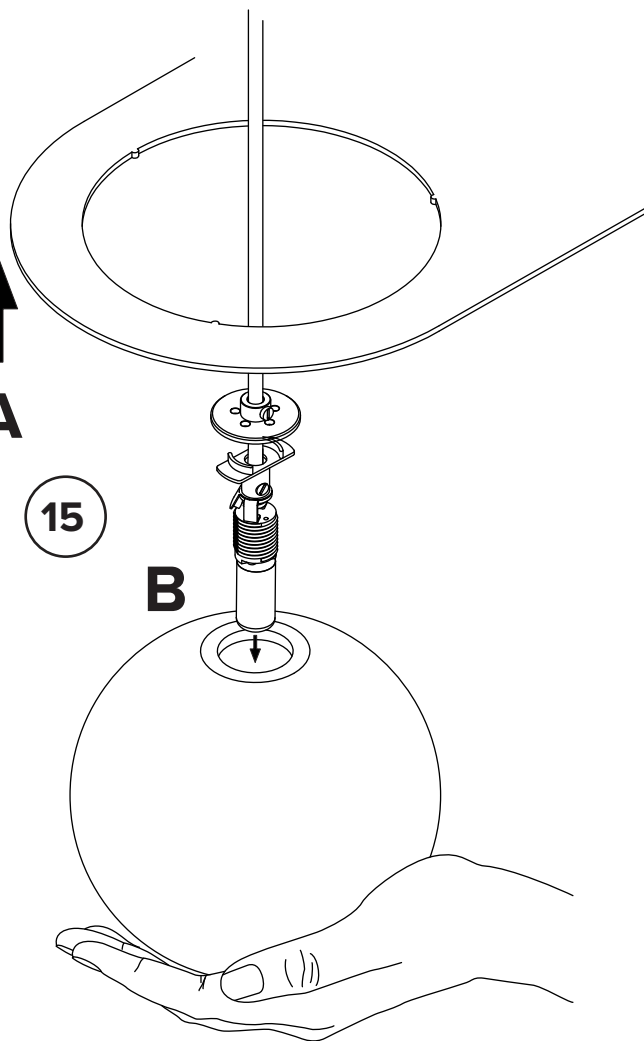
14



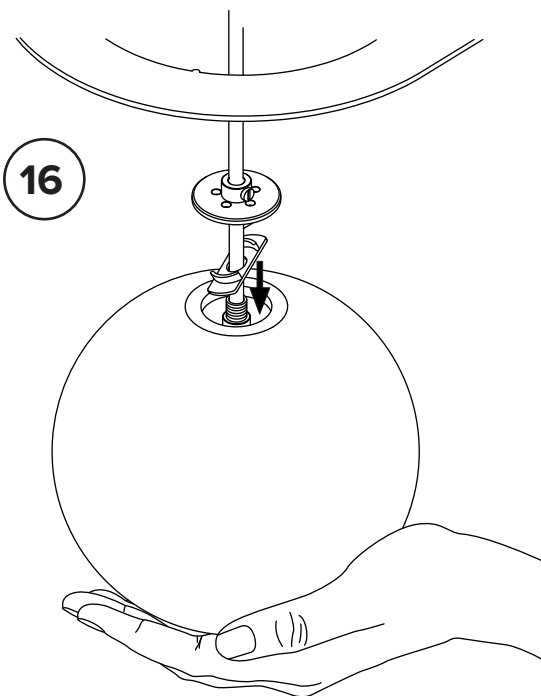
A

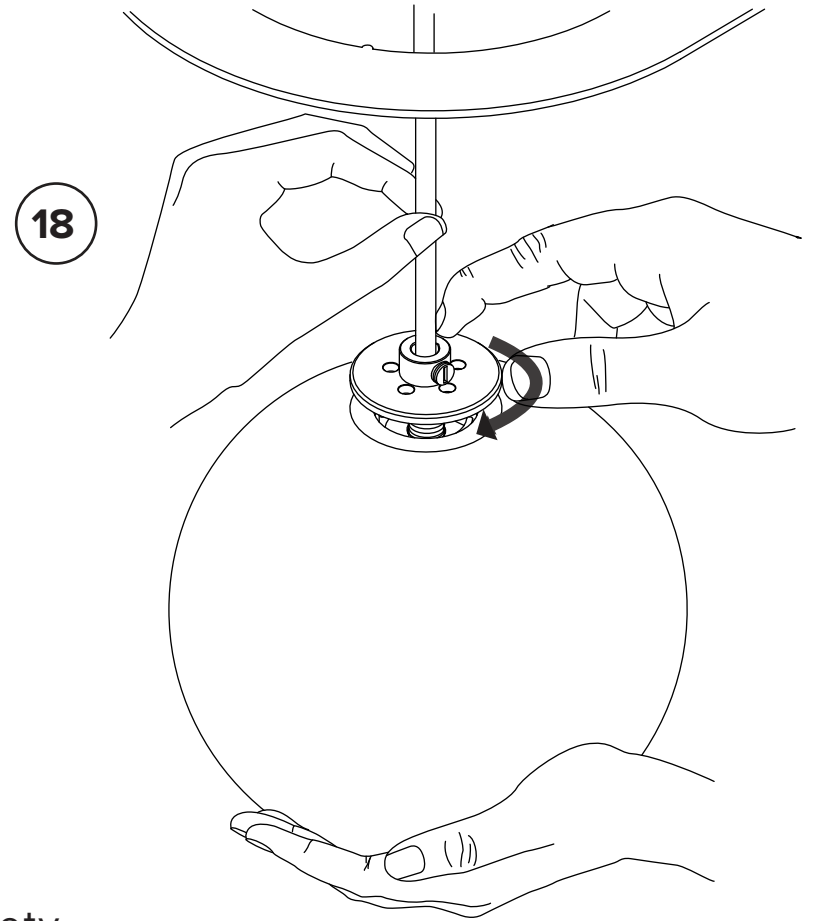
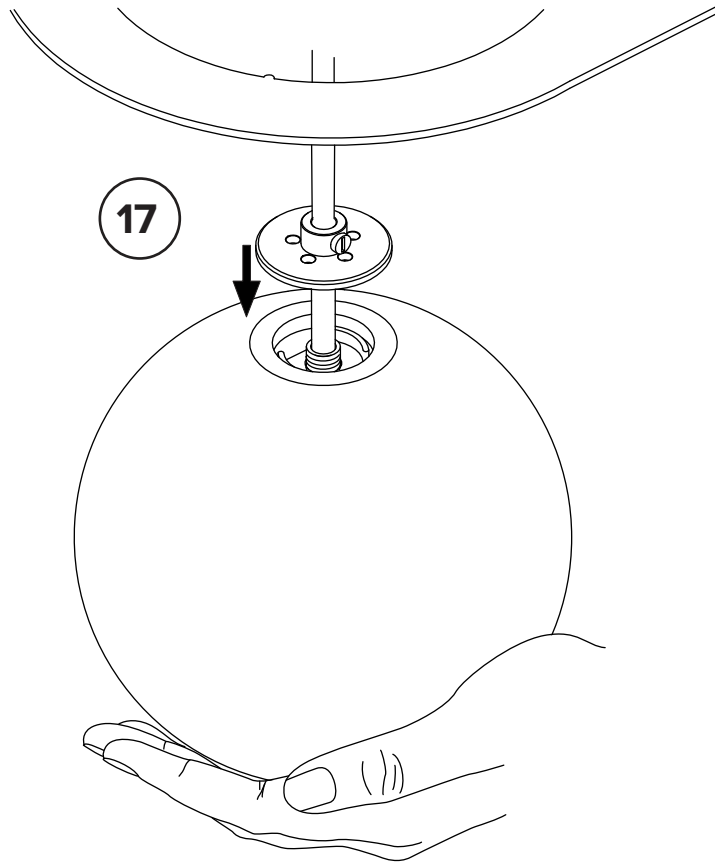
15

B



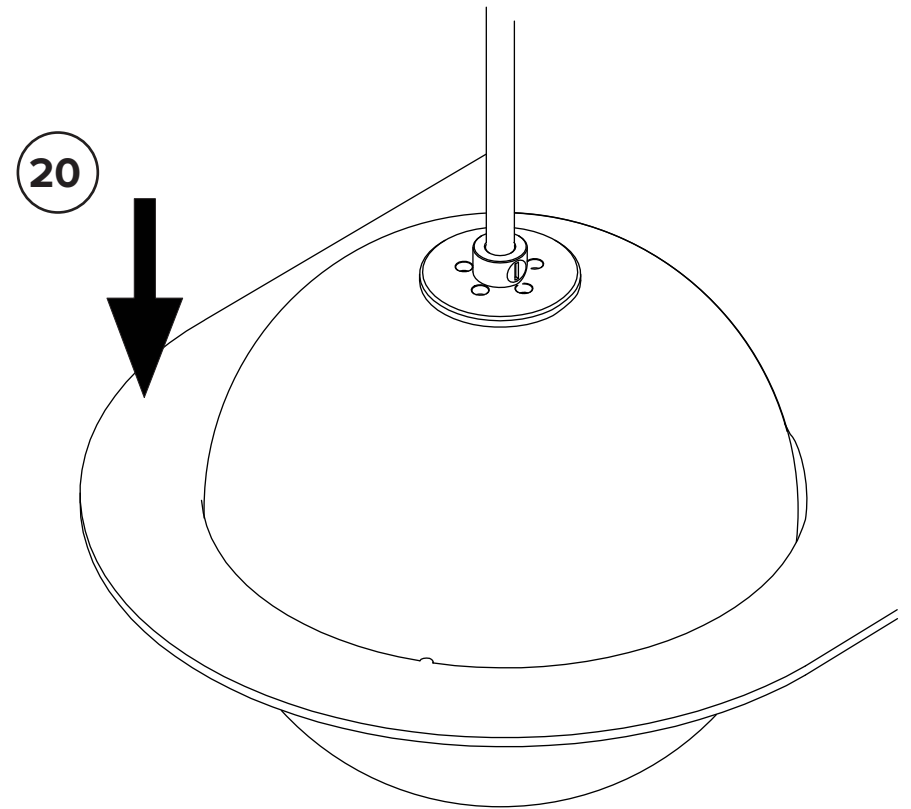
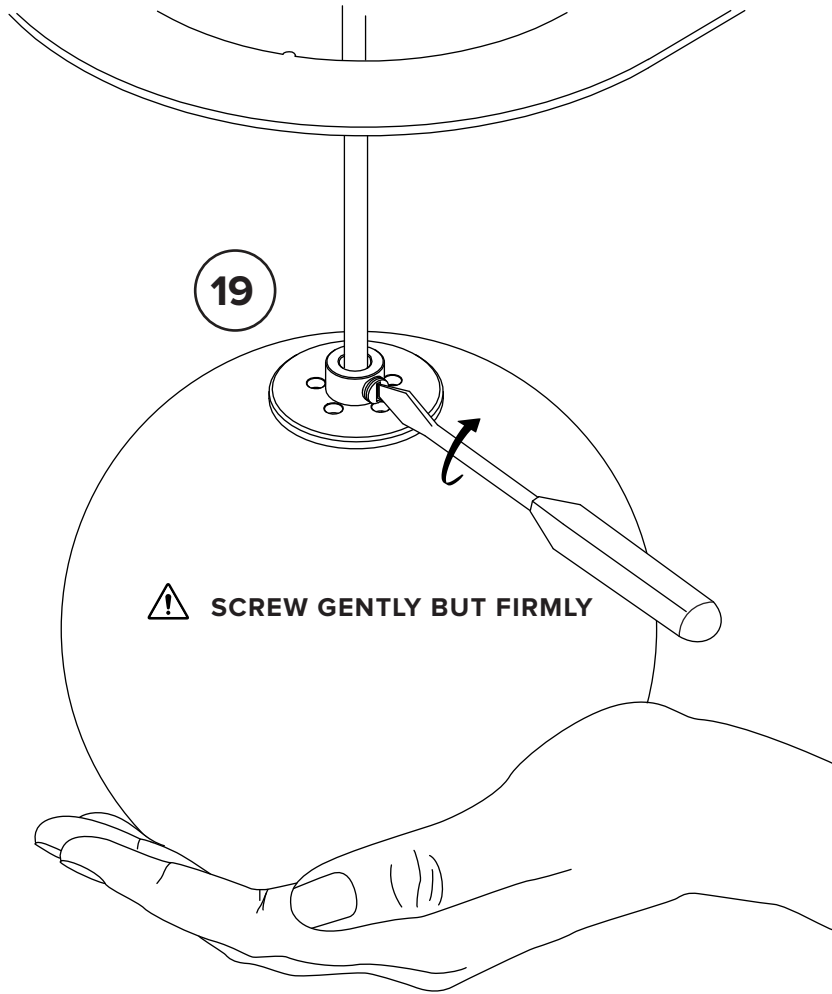
16





* To ensure safety,
**PLEASE FOLLOW THESE STEPS
CAREFULLY**

* To ensure safety,
**PLEASE FOLLOW THESE STEPS
CAREFULLY**



21

Make sure the globes are level by micro-adjusting the wire lengths.

SCREW GENTLY BUT FIRMLY

