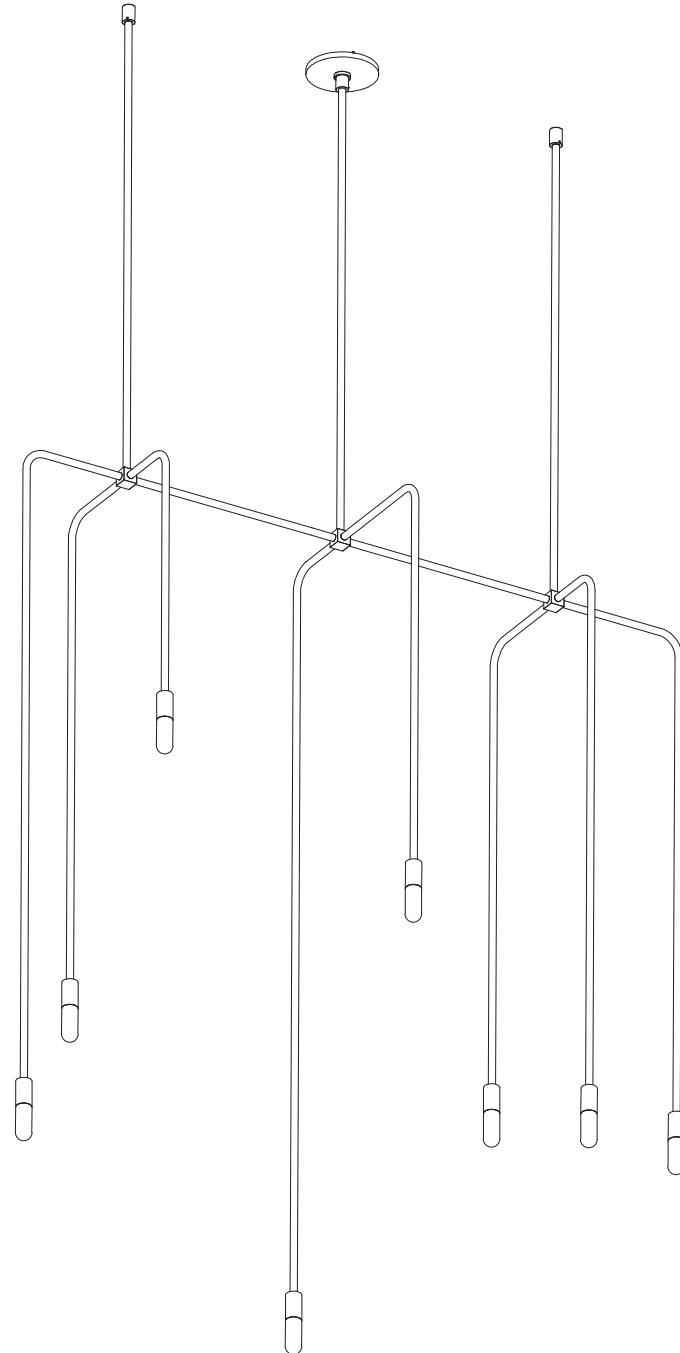


BEAUBIEN ATELIER

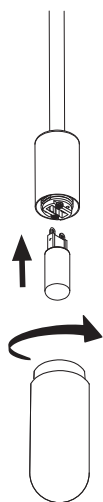


- Please read entire manual before installing
- To be installed by an electrician to an electrical box
- Use appropriate screws where necessary
- Wear enclosed gloves when handling lamp
- Handle materials with care. Please consult lamp maintenance sheet on our web site
- Should be used exclusively as a lamp and not as a shelving, display or hanging unit





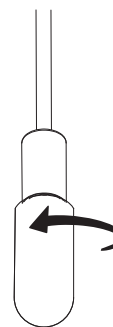
Important steps to follow when installing a glass globe



Insert bulb.



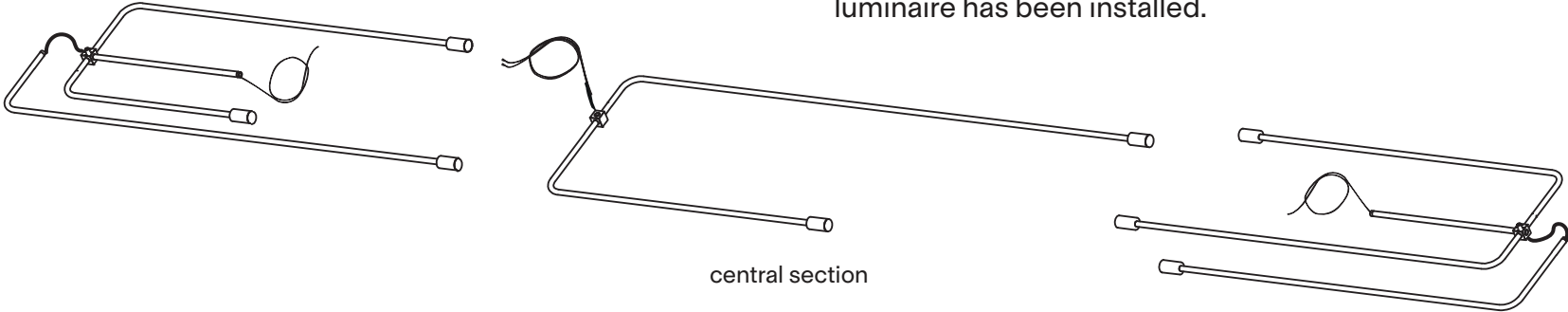
Screw in globe gently until it is tight. Do not force the globe.



Unscrew bulb slightly 1/2 turn.

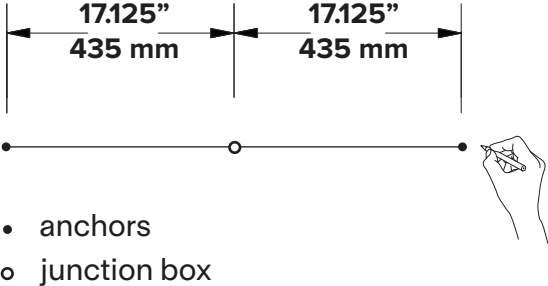
The luminaire was shipped as three sections.

Some arms were reorientated for shipping.
These arms will be repositioned once the luminaire has been installed.



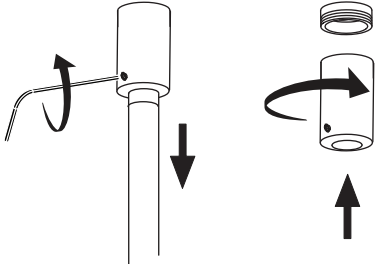
1

Mark anchor points



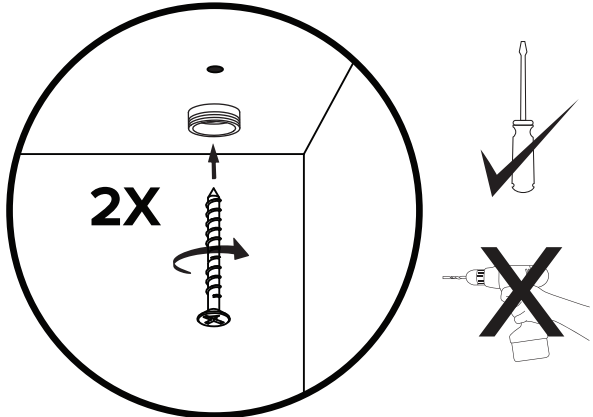
2

Loosen set screw to release ceiling rod from the ceiling anchor.



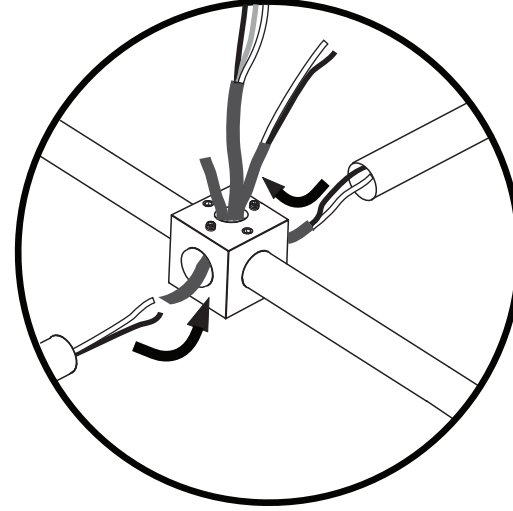
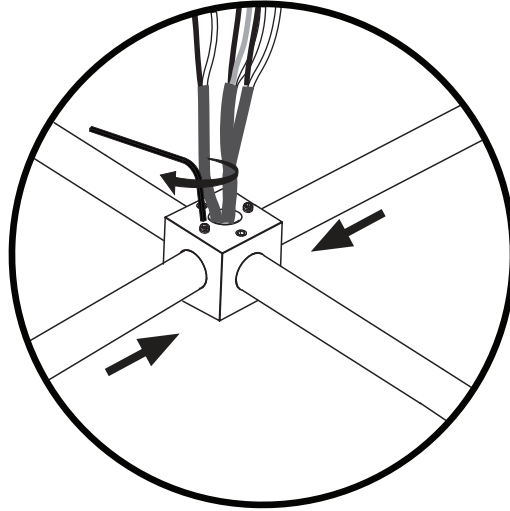
3

Screw in ceiling anchors using appropriate screws.



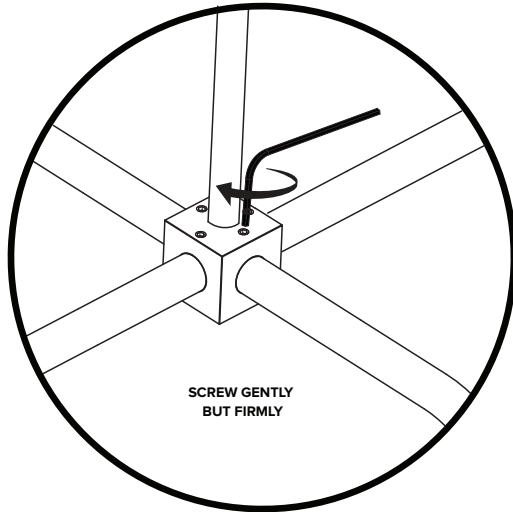
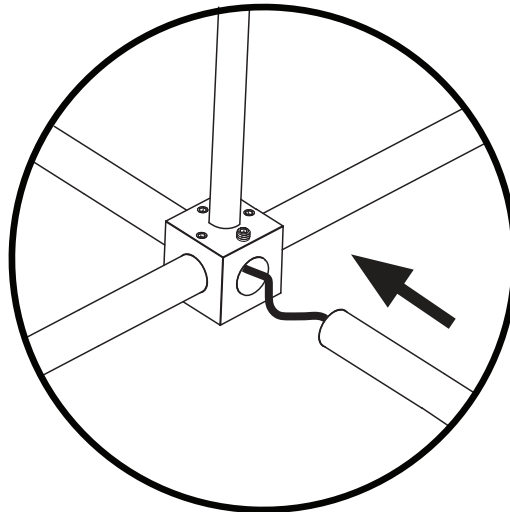
4

Carefully pass wires through the anti-abrasive sleeve in central cube.
Do not pinch wires.



5

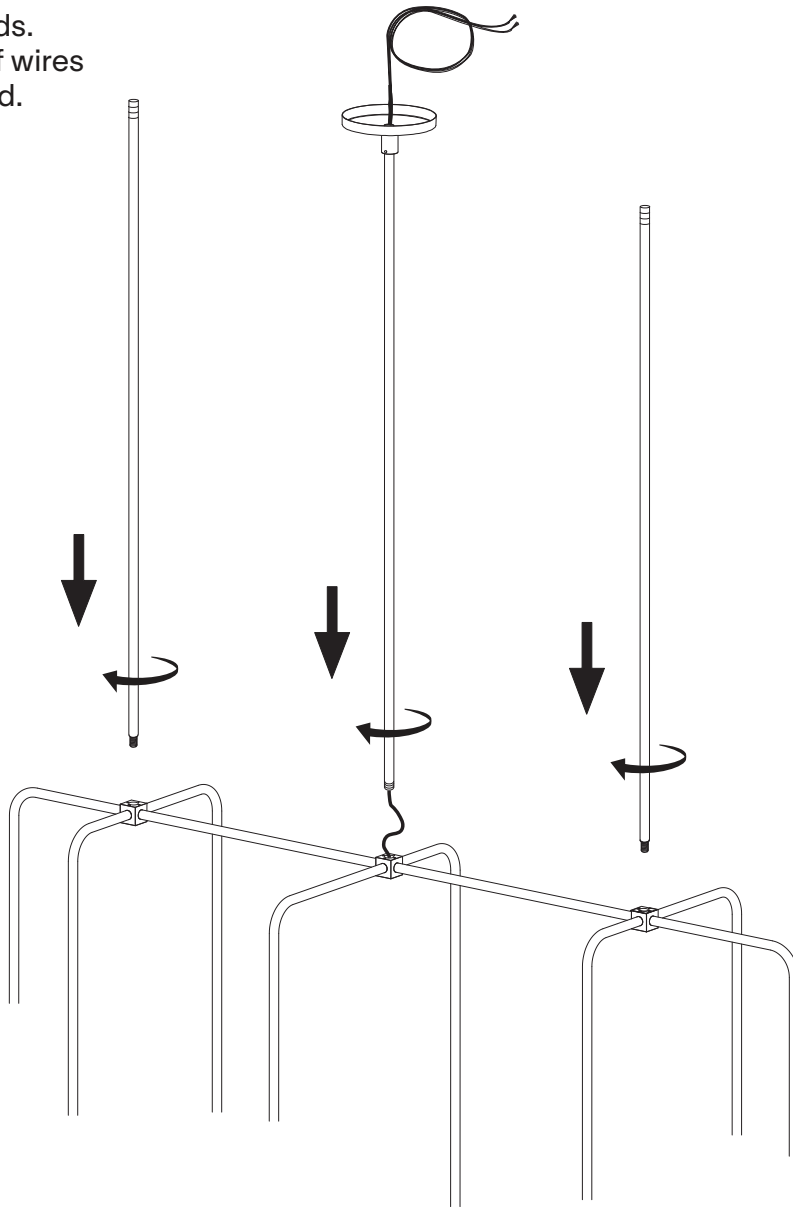
Secure the loose arms
into place temporarily.
Do not pinch wires.



Repeat for all arms.

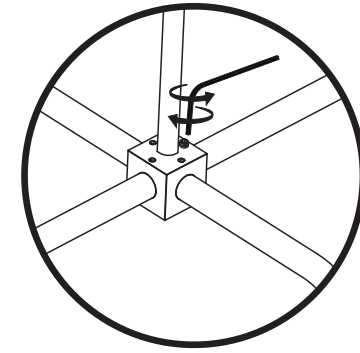
6

Screw in ceiling rods.
Feed all three groups of wires
through central rod.



7

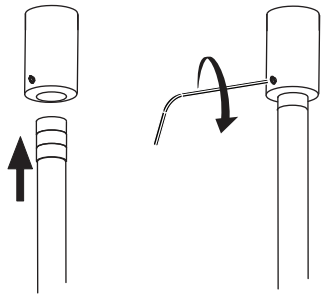
Reposition arms at both
ends into their final positions.
These arms were rotated
to facilitate shipping.



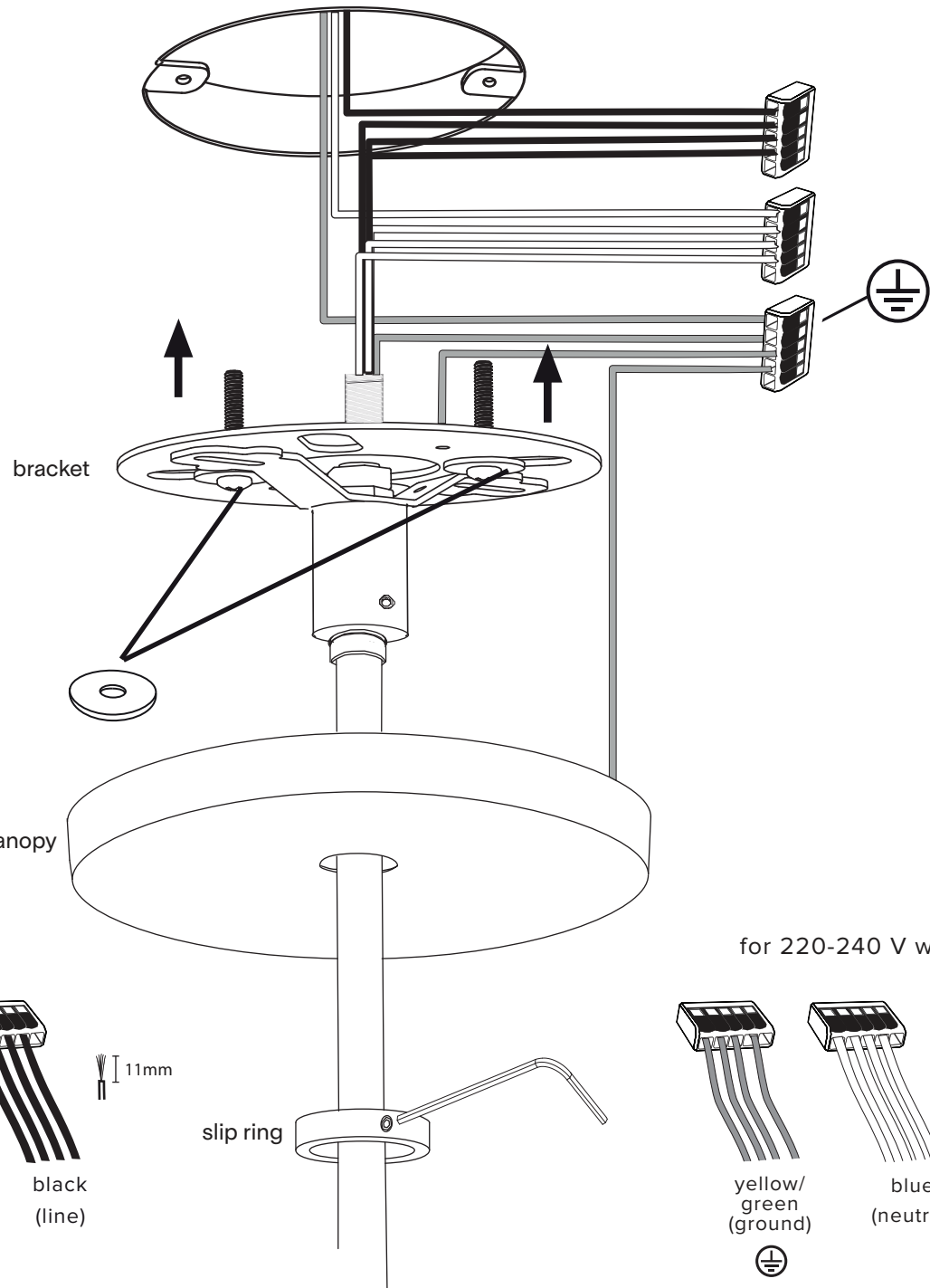
Losen set screw, reposition arm
then tighten set screw gently, but firmly.

8

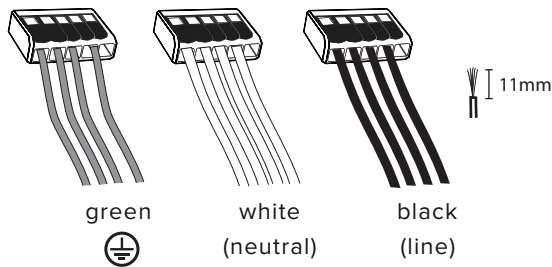
- lower slip ring and canopy
- make connections
- mount universal bracket to junction box while raising the two other stems into the ceiling anchors
- raise canopy and slip ring and secure the canopy in place



SCREW GENTLY
BUT FIRMLY



for 120 V wiring



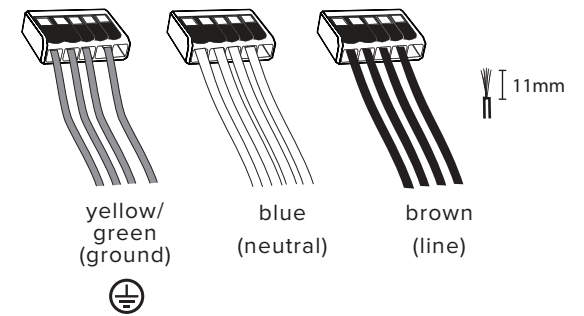
green

white
(neutral)

black
(line)

slip ring

for 220-240 V wiring

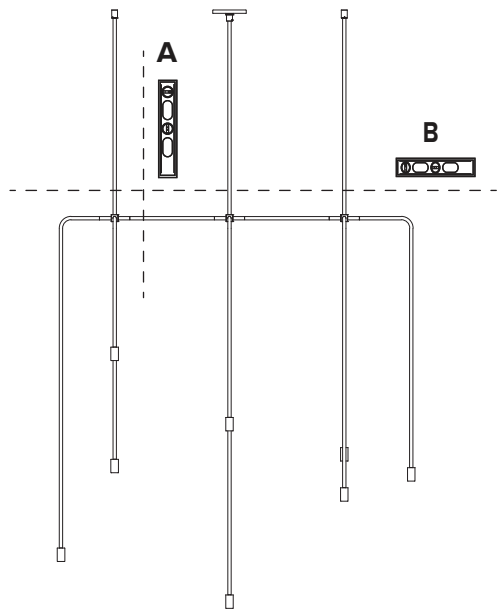


yellow/
green
(ground)

blue
(neutral)

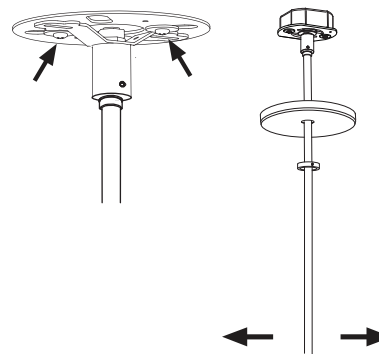
brown
(line)

9



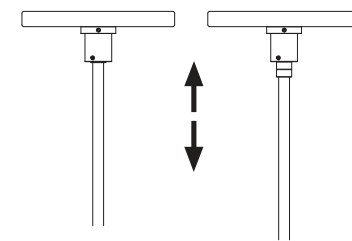
A

Horizontal level is adjusted by tightening and loosening the ceiling mount screws. Be sure that screws are sufficiently secured for safety



B

Vertical level is adjusted by moving the stem up and down between the two segmented lines



Cubes may have shifted during shipping so assure that all cubes are straight and parallel with one another. Follow step 7 to make adjustments.

10

Insert bulbs and globes into the sockets

