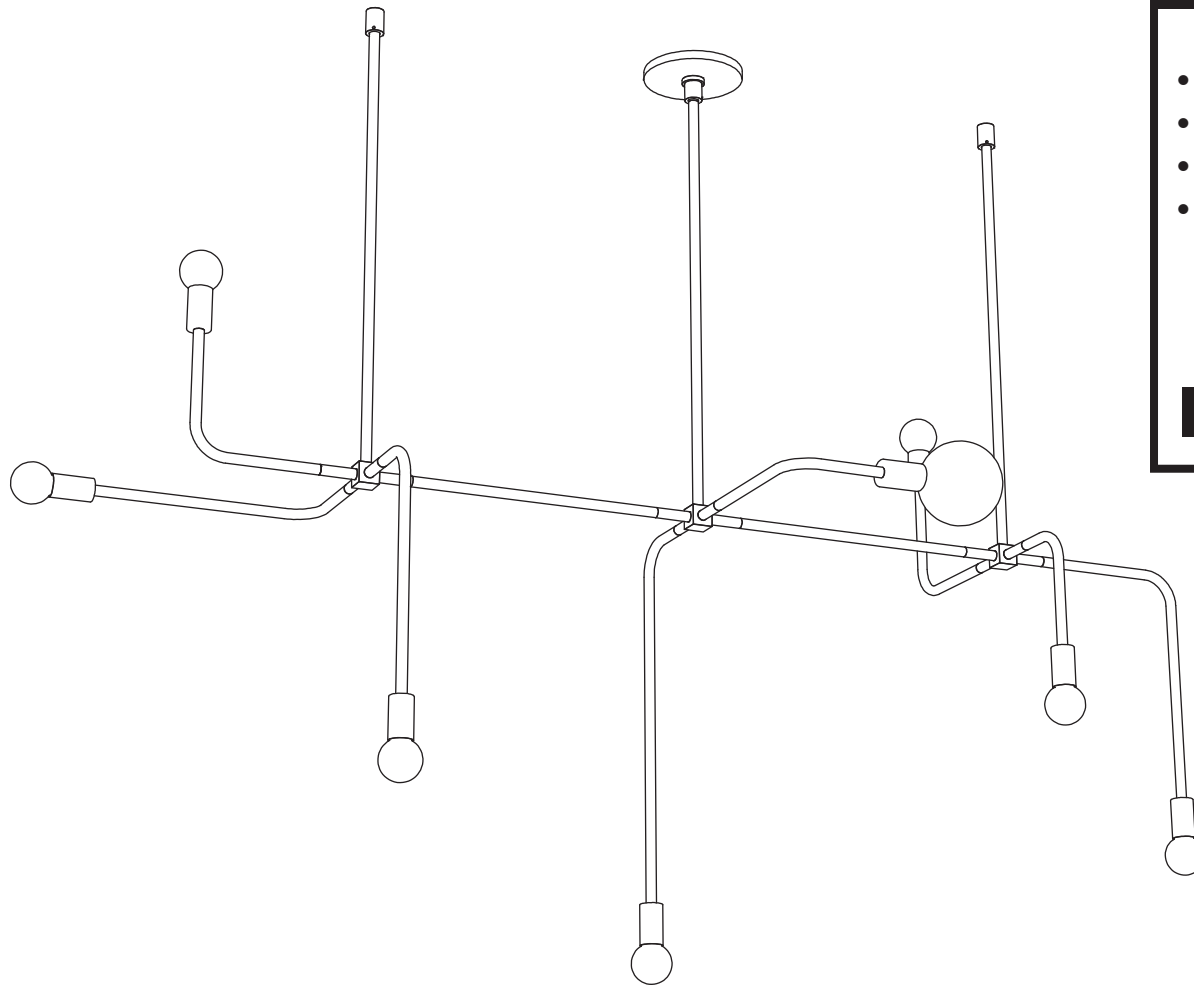
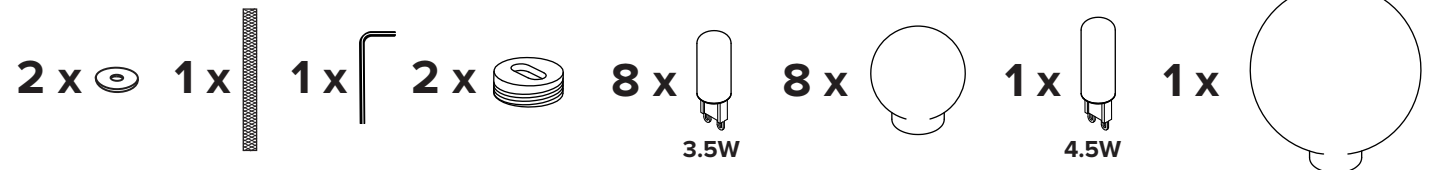



# BEAUBIEN 05



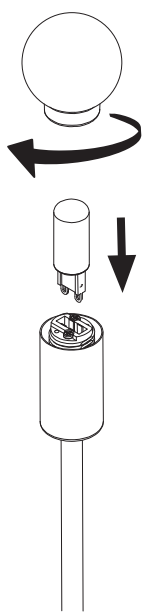
- 
- To be installed by an electrician to an electrical box
  - Use appropriate screws where necessary
  - Wear enclosed gloves when handling lamp
  - Handle materials with care. Please consult lamp maintenance sheet on our web site



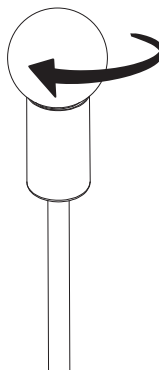
**6 lbs. / 3 kg** In need of background nailing



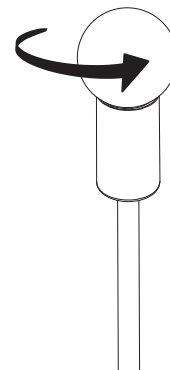
**Important steps to follow when installing a glass globe**



Insert bulb.



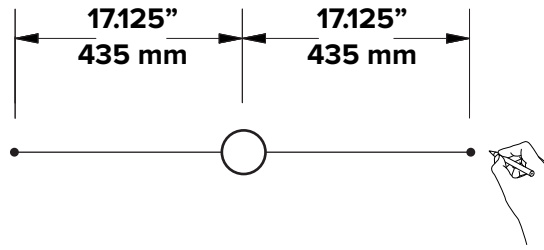
Screw in globe gently until it is tight.  
Do not force the globe.



Unscrew bulb slightly 1/2 turn.

1

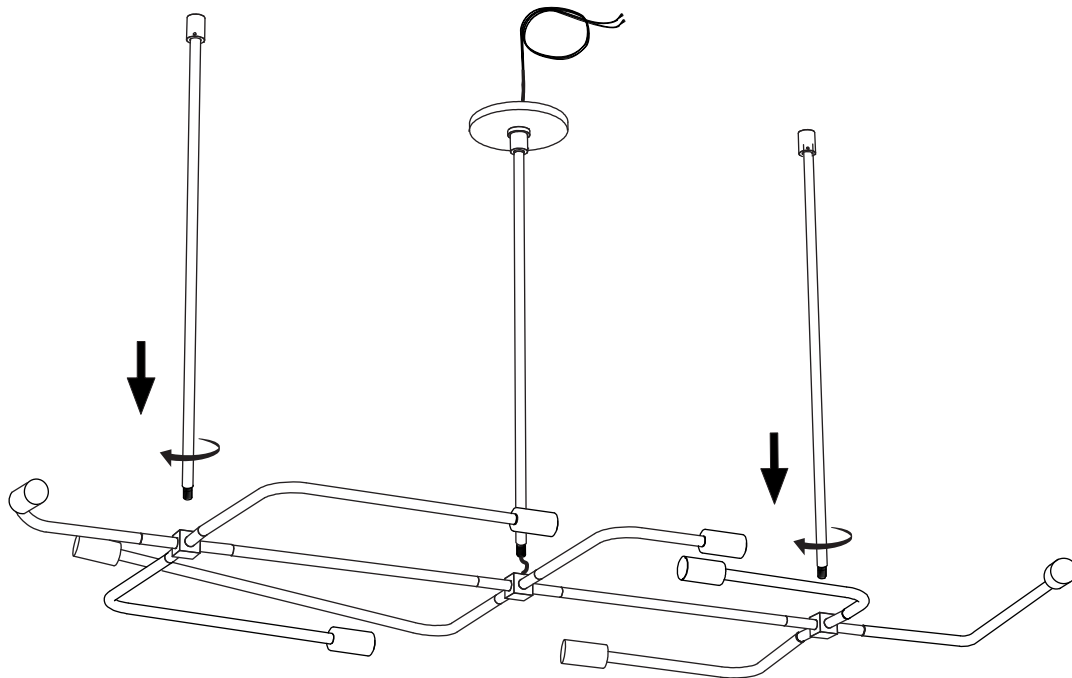
Mark anchor locations using your electrical box as a guide



2

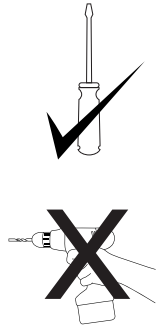
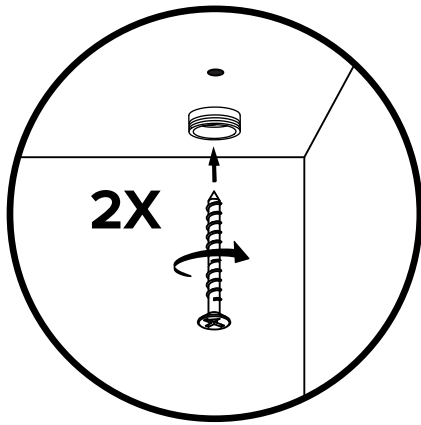
Screw in ceiling mounts and canopy

The arms will be repositioned properly once the fixture has been installed to the ceiling

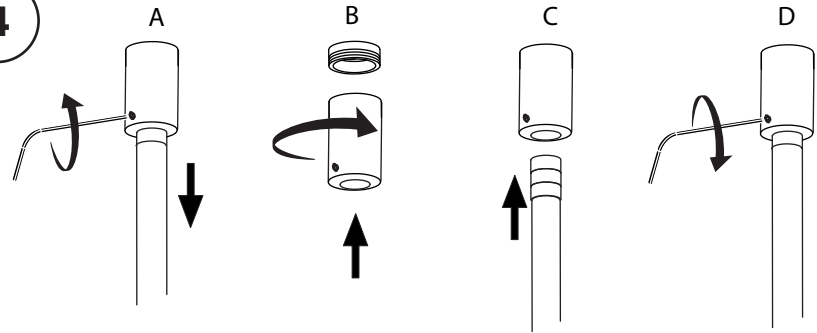


3

After having marked anchor location on the ceiling, screw in ceiling anchors using appropriate screws



4



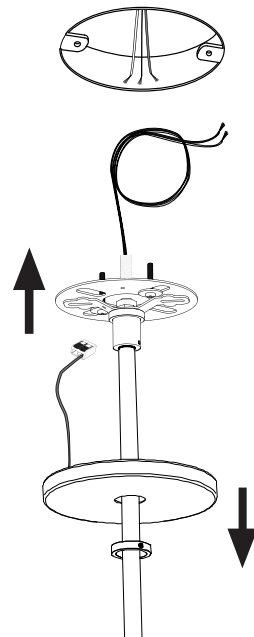
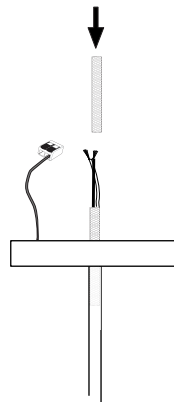
Loosen set screw and lower ceiling rod to allow mount to be screwed into the ceiling anchor

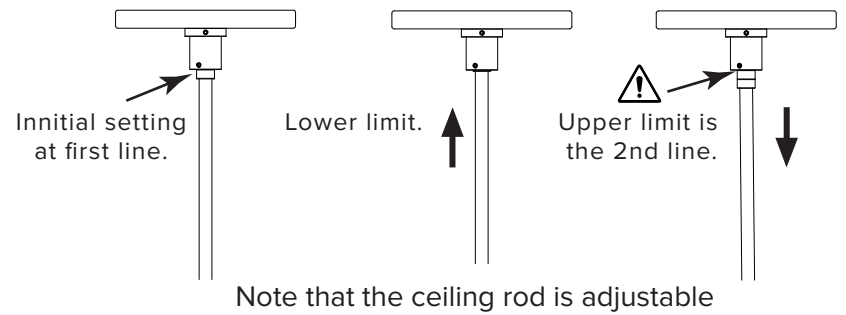
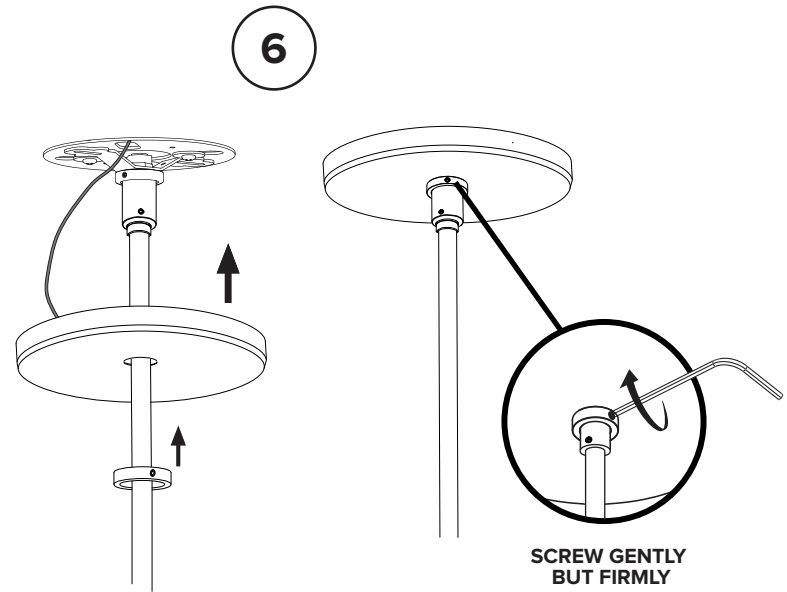
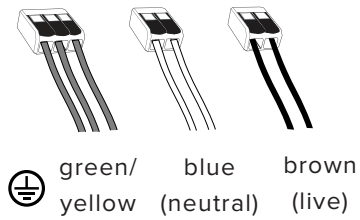
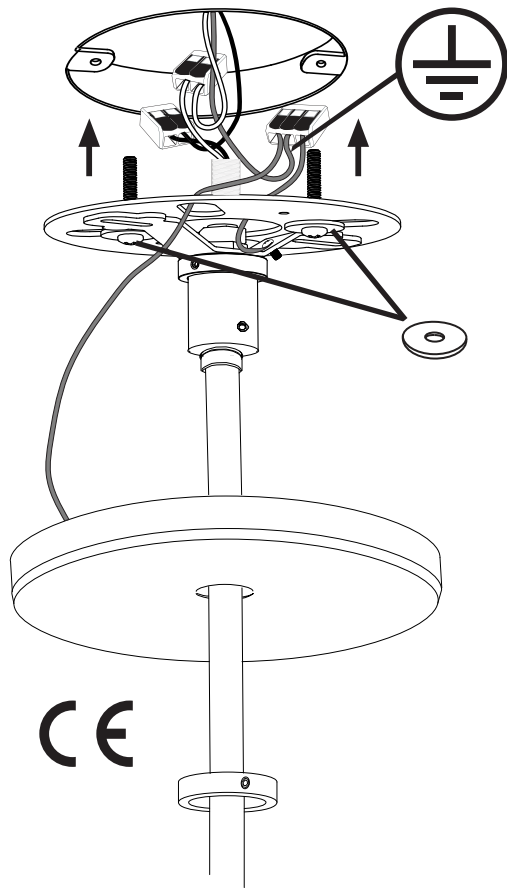
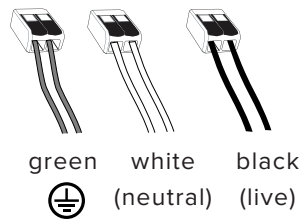
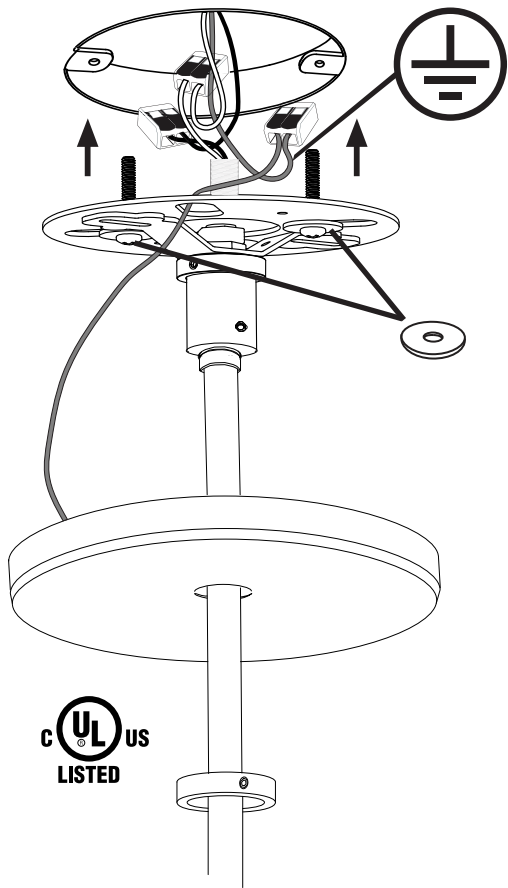
Raise ceiling stems into the anchored ceiling mount and tighten the set screw

**SCREW GENTLY BUT FIRMLY**

5

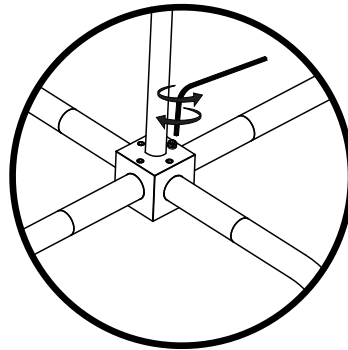
Make connection



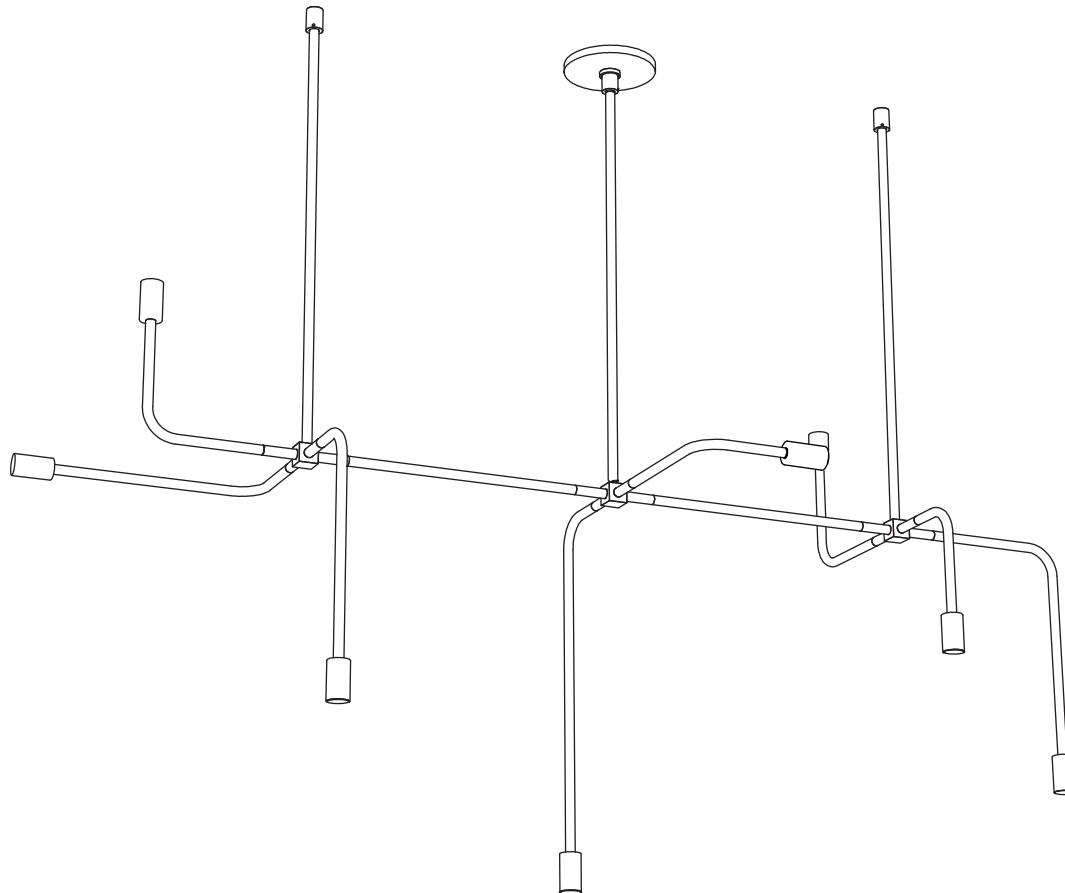


7

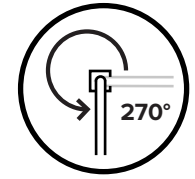
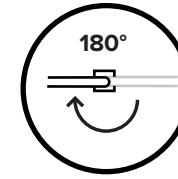
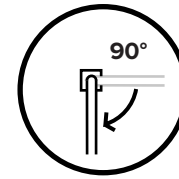
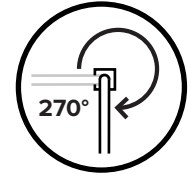
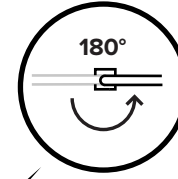
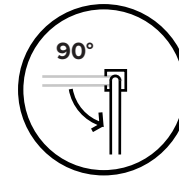
Reposition arms into their proper final positions. These arms were turned to facilitate shipping



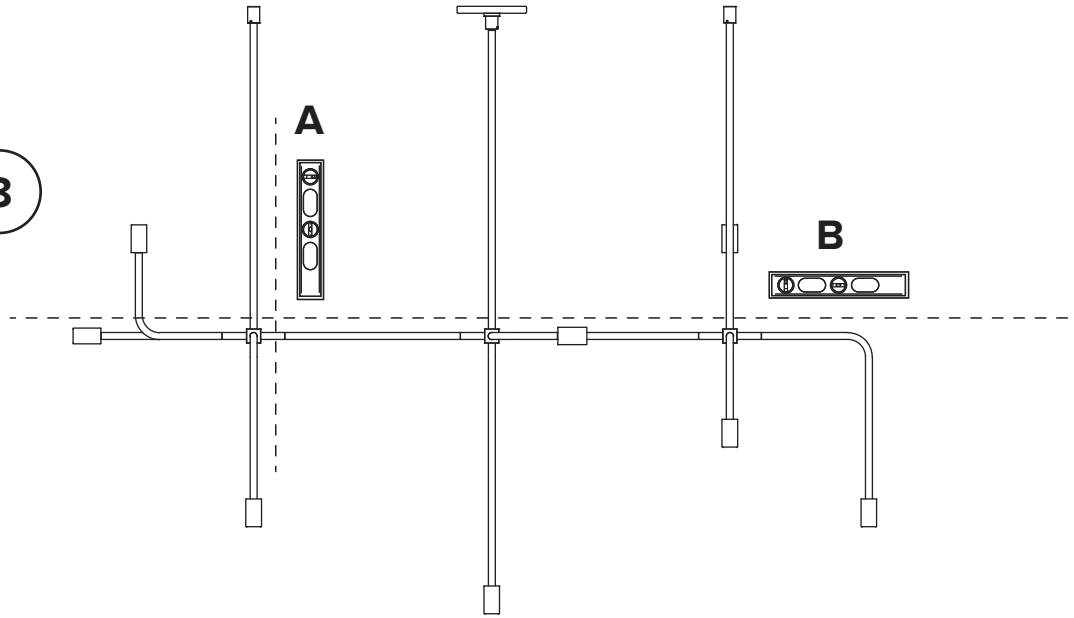
Losen set screw, reposition arm then tighten set screw gently, but firmly.



Rotate arms shortest distance possible.  
Do not rotate 3/4 turn.

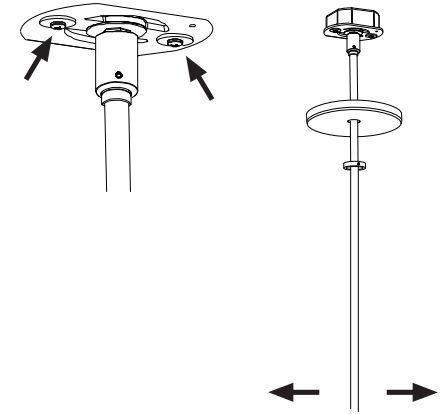


8

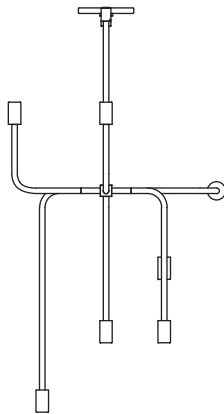


**A**

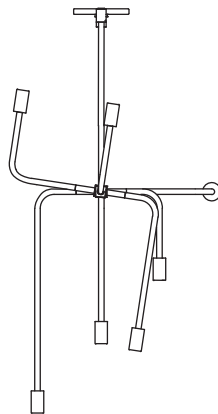
Horizontal level is adjusted by tightening and loosening the ceiling mount screws. Be sure that screws are sufficiently secured for safety



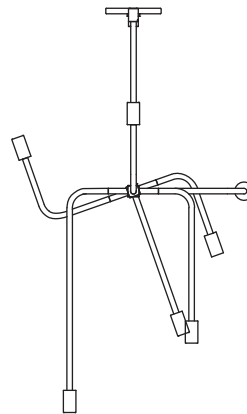
Cubes may have shifted during shipping so assure that all cubes are straight and parallel with one another



**X**

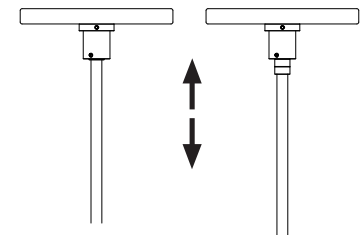


**X**



**B**

Vertical level is adjusted by moving the stem up and down between the two segmented lines



9

Insert bulbs and globes  
into the sockets

