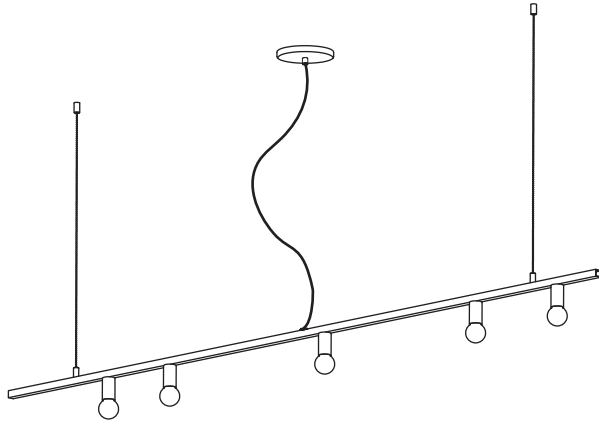
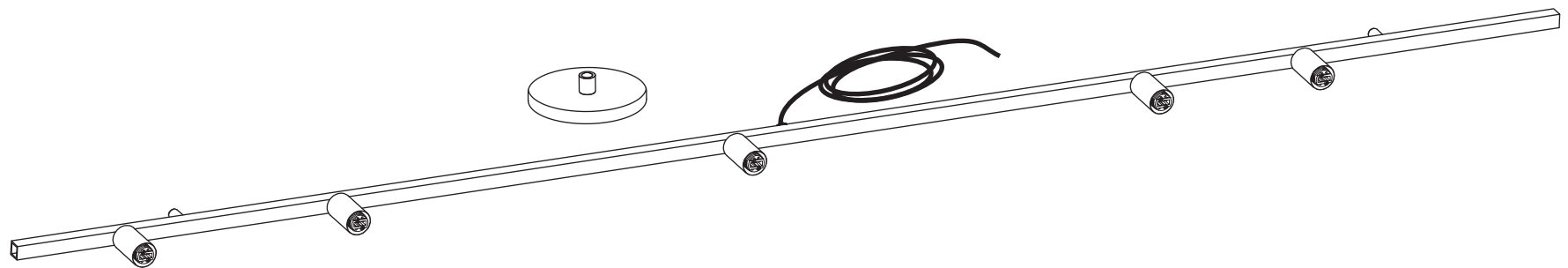


DOT LINE SUSPENSION



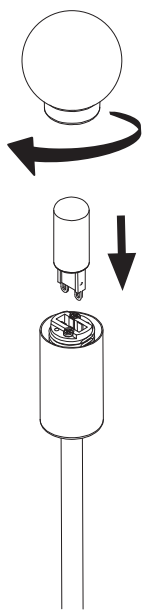
- To be installed by an electrician to an electrical box
- Use appropriate screws and anchors where necessary
- Wear enclosed gloves when handling lamp
- Handle materials with care. Please consult lamp maintenance sheet on our web site
- Should be used exclusively as a lamp and not as a shelving, display or hanging unit

lamp weight **11 lbs / 5 kg**

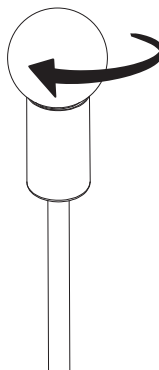




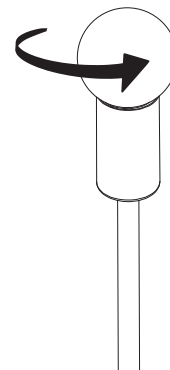
Important steps to follow when installing a glass globe



Insert bulb.

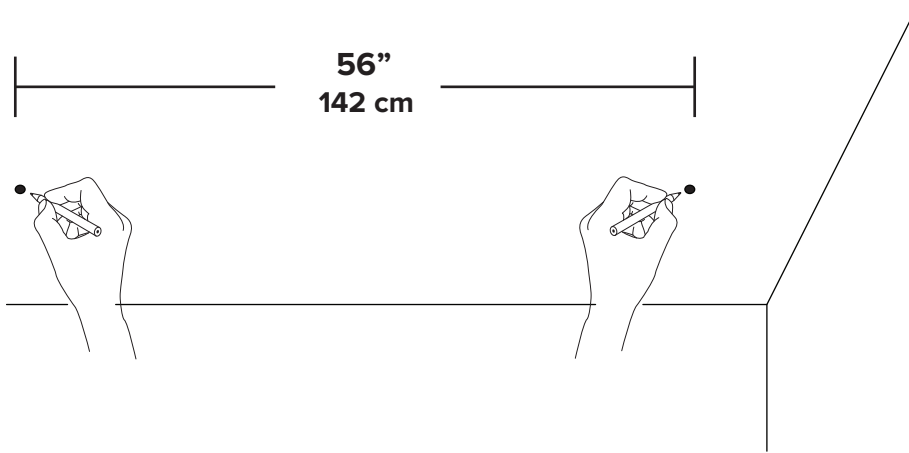
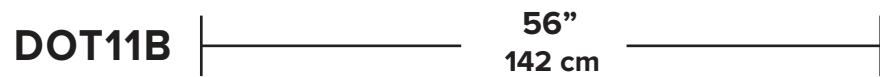
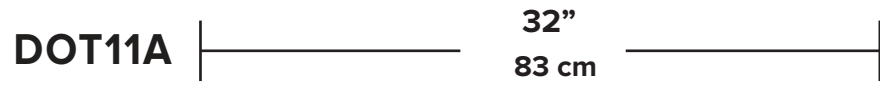


Screw in globe gently until it is tight.
Do not force the globe.



Unscrew bulb slightly 1/2 turn.

1



2

Your luminaire comes with either stainless steel cables or beaded chain hangers.

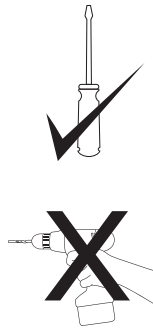
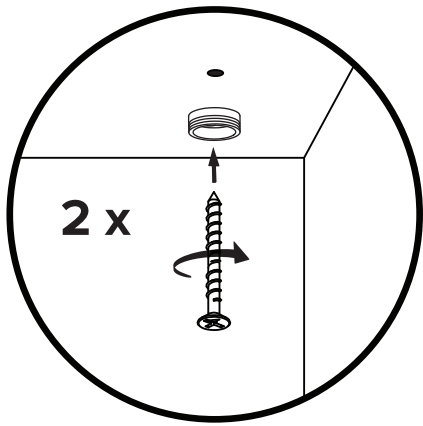
Stainless steel cable instructions: steps 3-6.

Beaded chain instructions skip to: steps 7-10.



Do not install at less than 4" from the ceiling

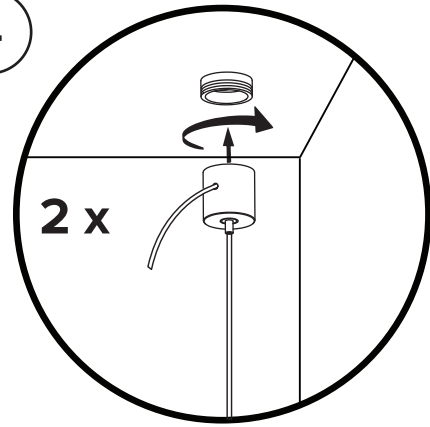
3



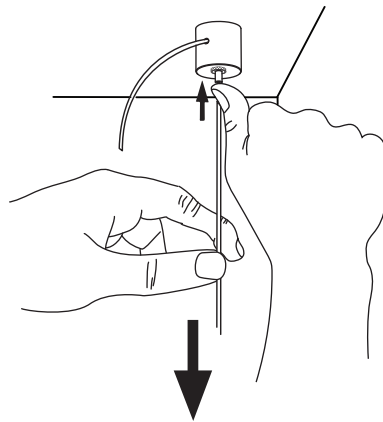
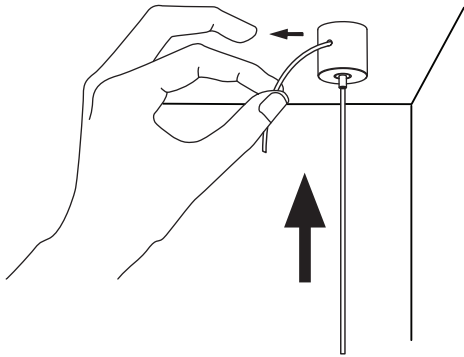
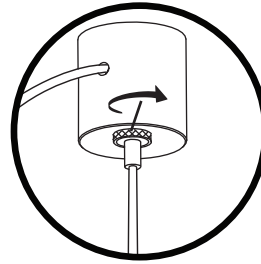
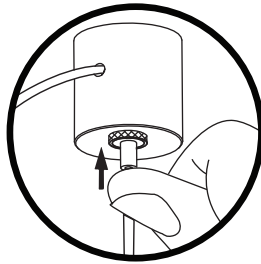
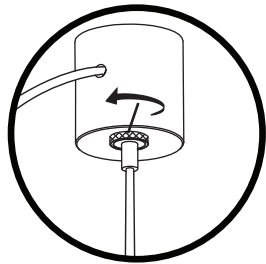
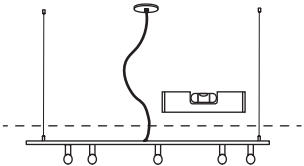
* Make sure to use appropriate anchors

Each anchor must be able to support 27 lbs / 13 kg

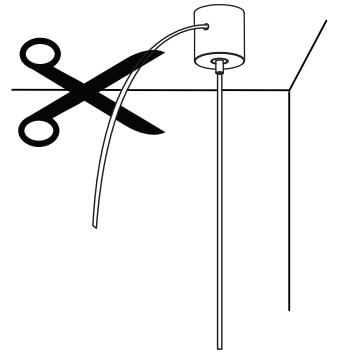
4



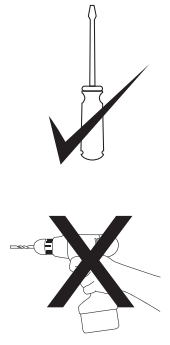
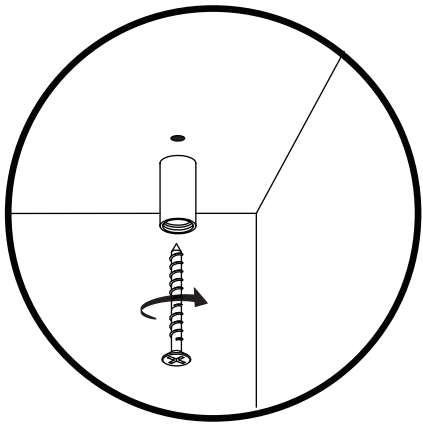
5



6



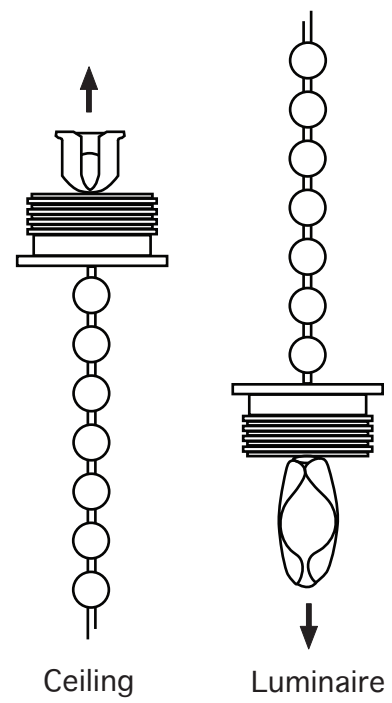
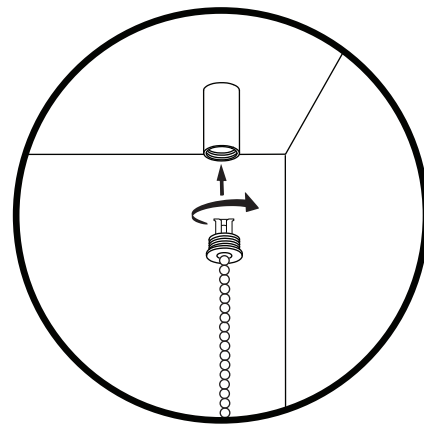
7



* Make sure to use appropriate anchors

Each anchor must be able to support 27 lbs / 13 kg

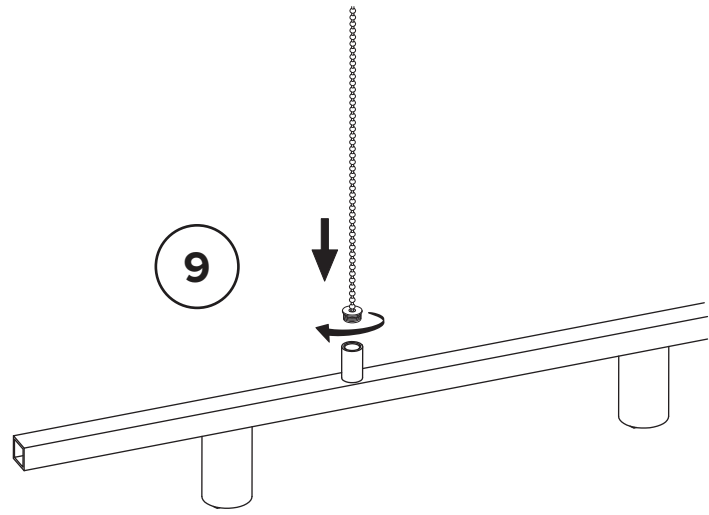
8



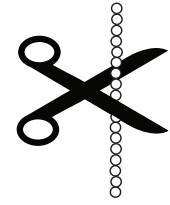
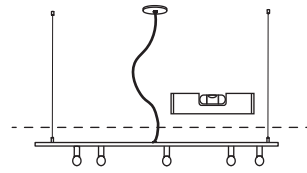
Ceiling

Luminaire

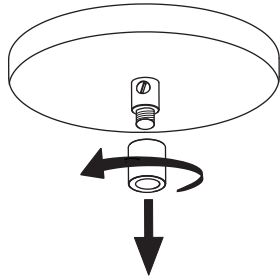
9



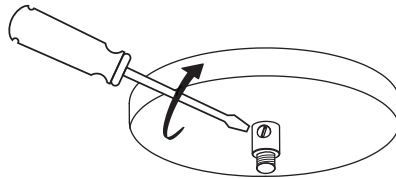
10



11

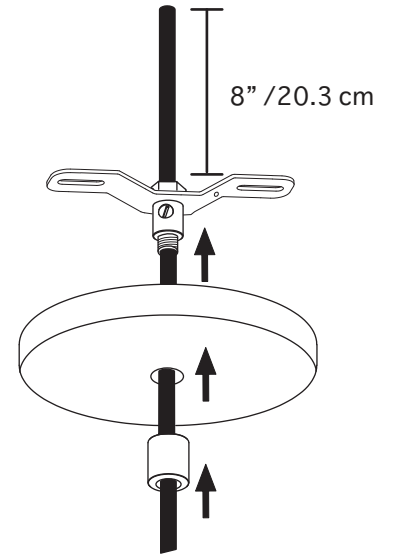


12



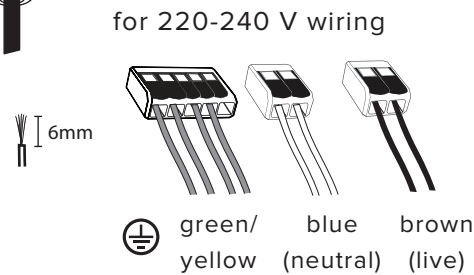
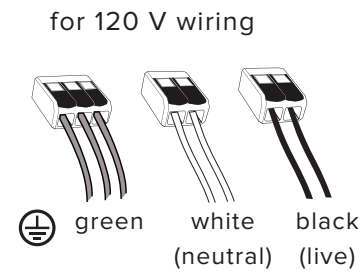
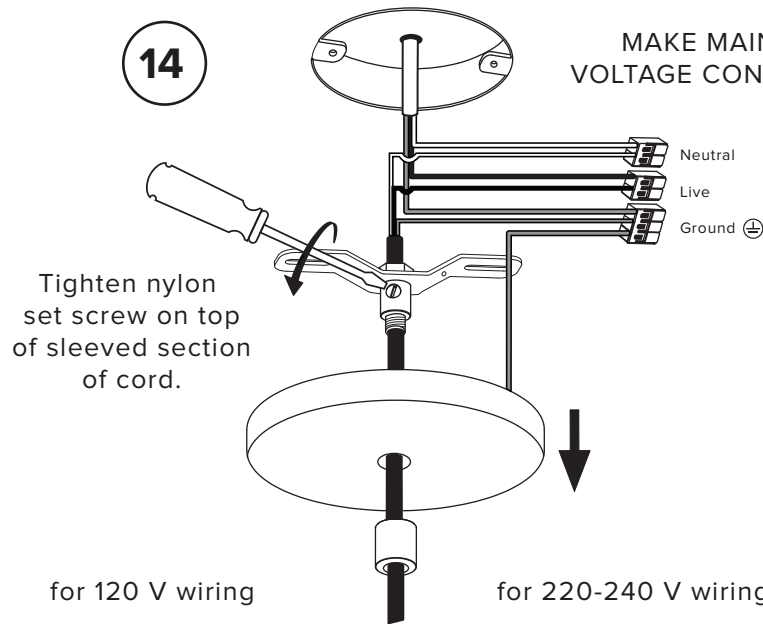
13

Feed cord through then adjust cord length. Leave 8" / 20.3 cm after the bracket.

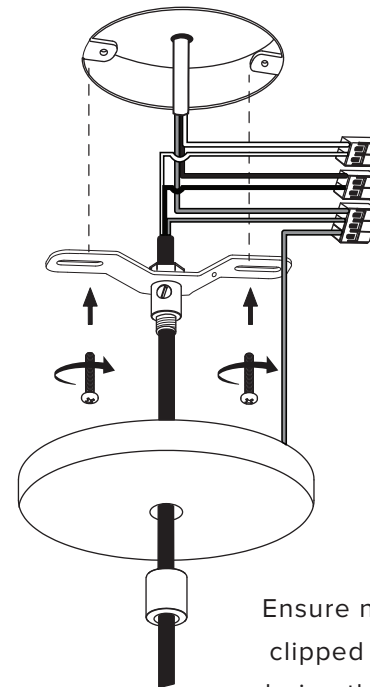


14

MAKE MAIN /LINE VOLTAGE CONNECTIONS



15



Ensure no wires are clipped or pinched during this operation.

