

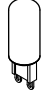
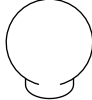

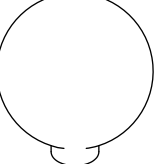
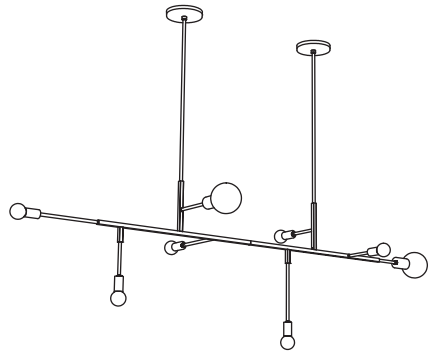



# CLIFF SUSPENSION 07


- 2 x 
- 1 x 
- 6 x  3.5W
- 6 x  G50
- 2 x  4.5W
- 2 x  G80

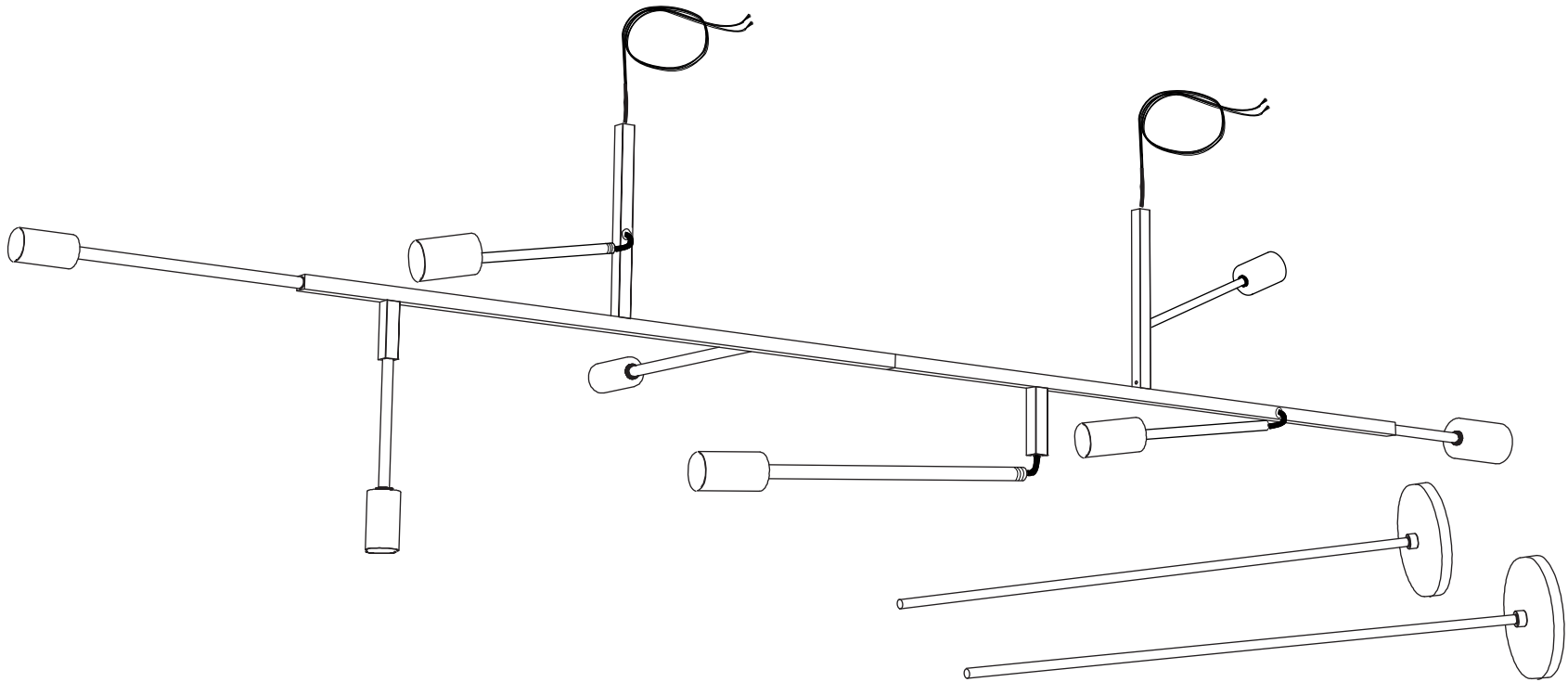




- To be installed by an electrician to an electrical box
- Use appropriate screws and anchors where necessary
- Wear enclosed gloves when handling lamp
- Handle materials with care. Please consult lamp maintenance sheet on our web site

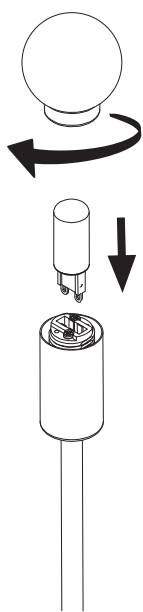
**8 lbs.**



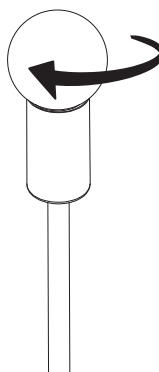




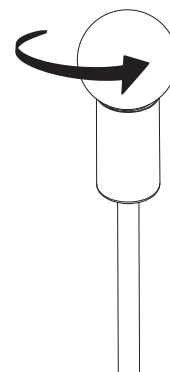
**Important steps to follow when installing a glass globe**



Insert bulb.



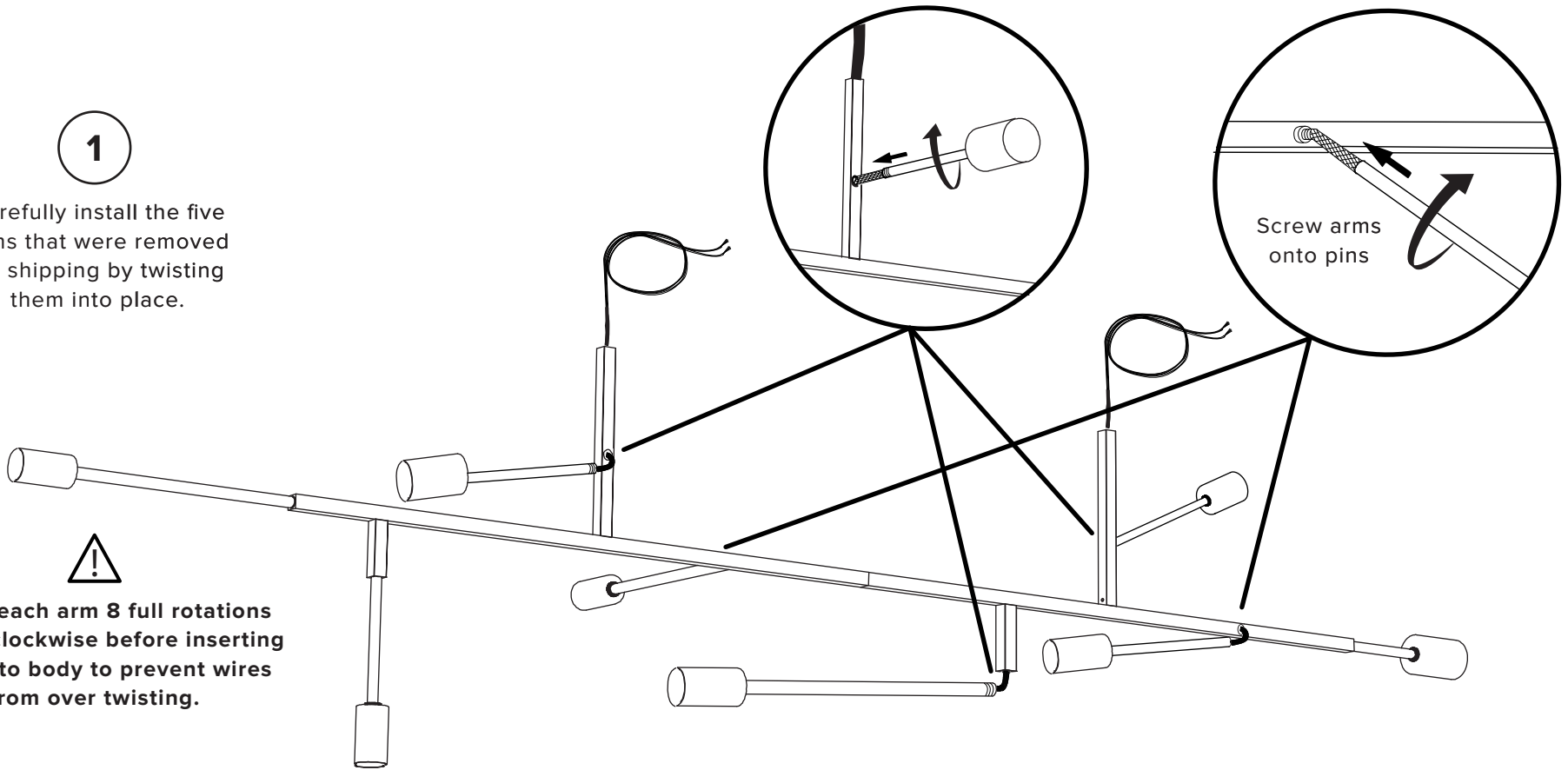
Screw in globe gently until it is tight.  
Do not force the globe.



Unscrew bulb slightly 1/2 turn.

1

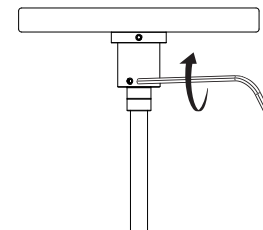
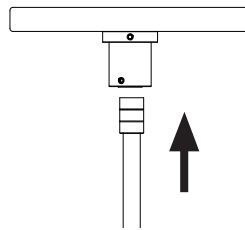
Carefully install the five arms that were removed for shipping by twisting them into place.



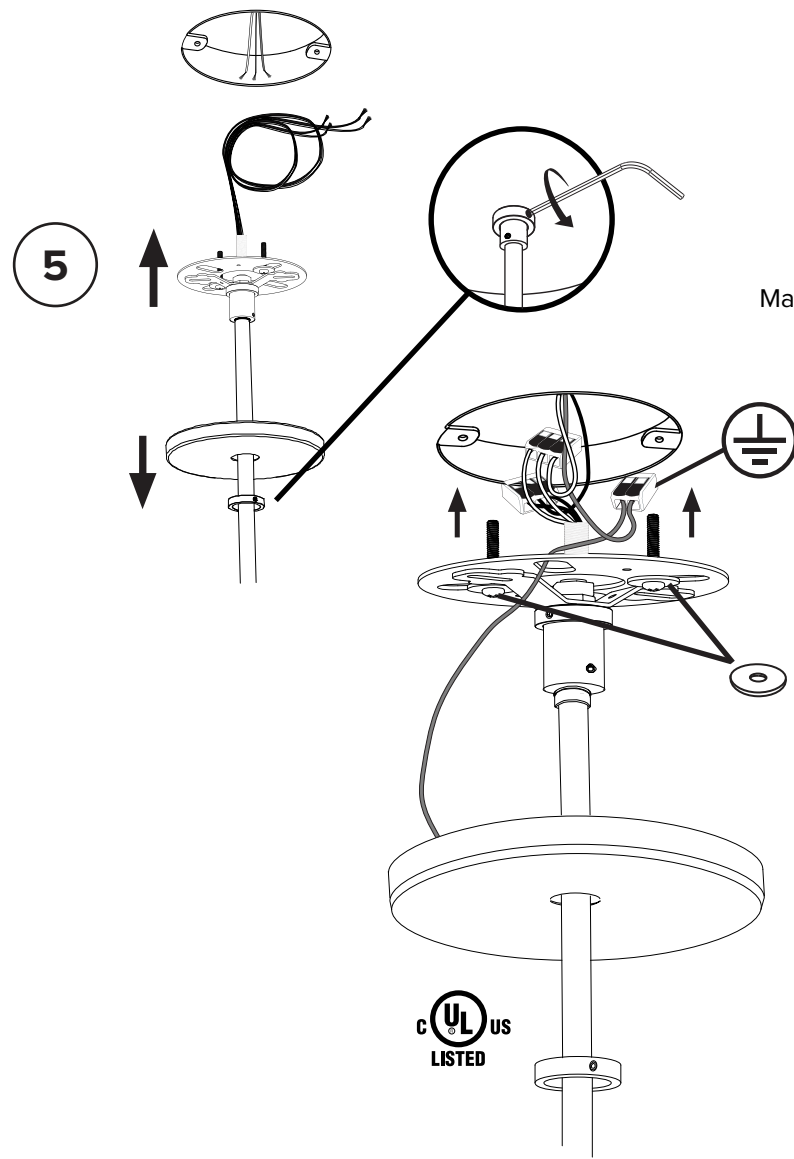
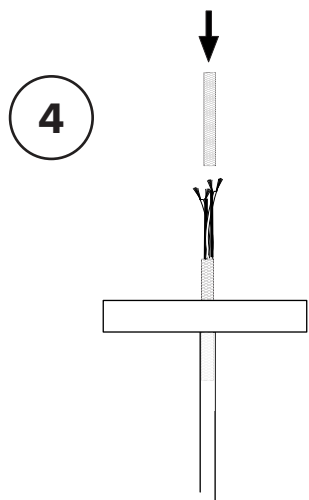
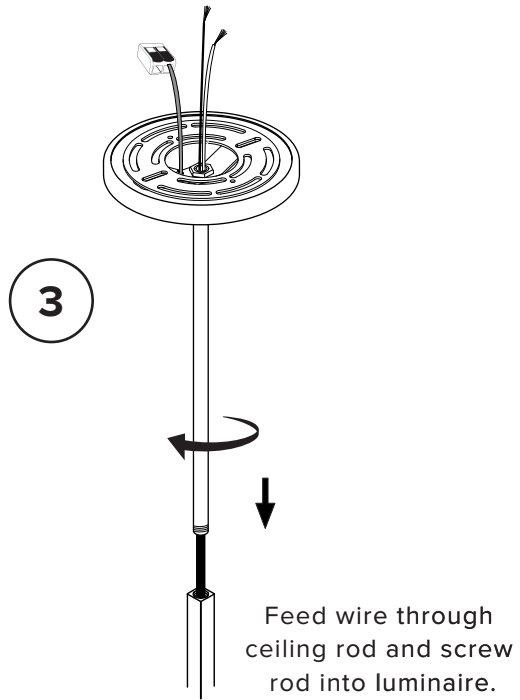
Rotate each arm 8 full rotations counterclockwise before inserting arms into body to prevent wires from over twisting.

2

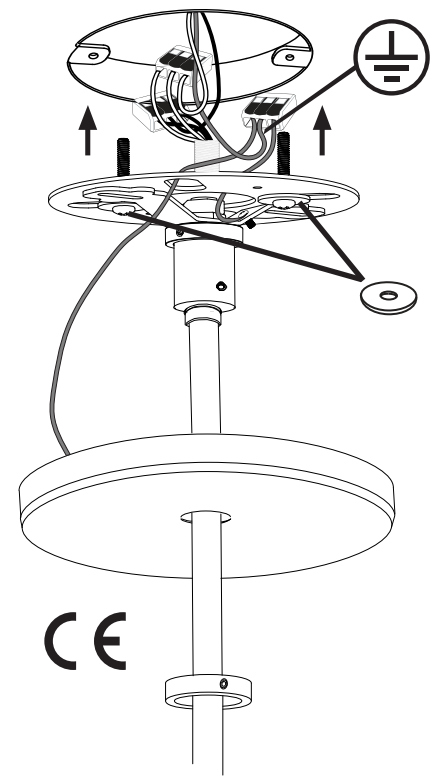
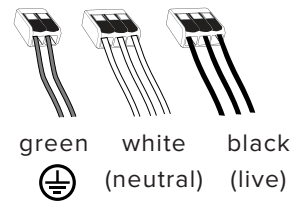
Install canopies onto ceiling rods



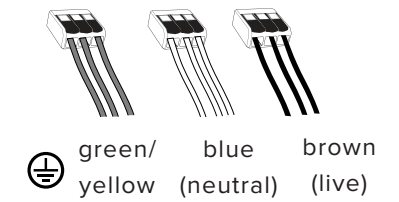
SCREW GENTLY BUT FIRMLY



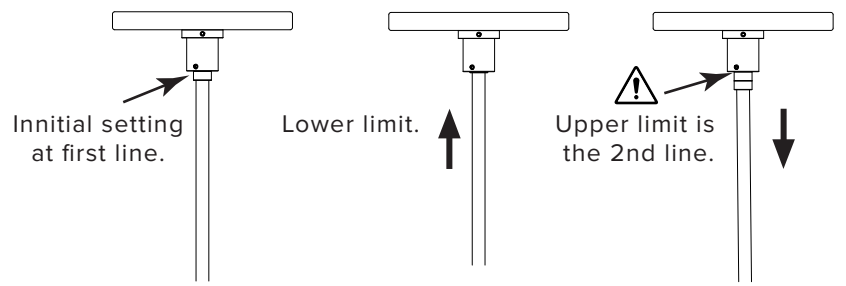
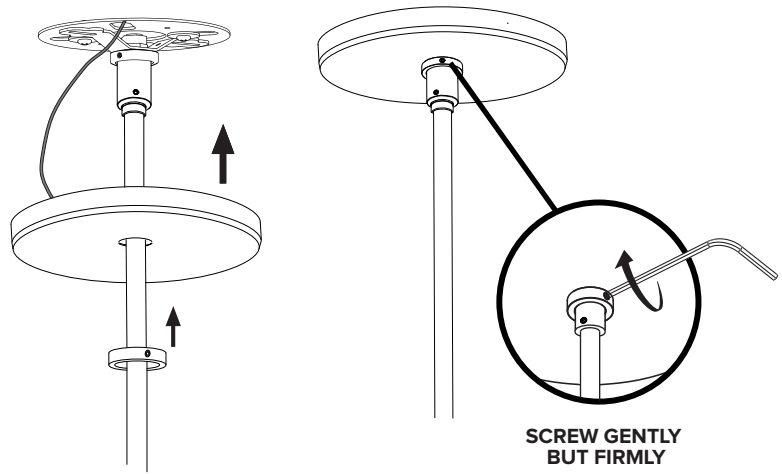
UL US LISTED



CE



6



Note that the ceiling rod is adjustable

7

Insert bulbs and globes into the sockets

