


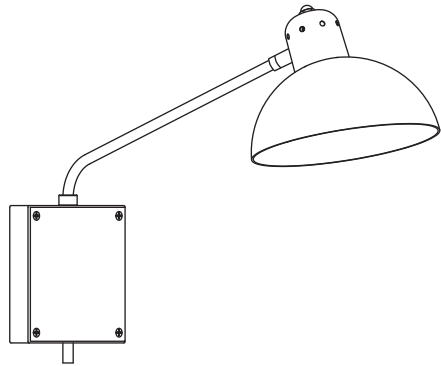
WALDORF WALL SMALL HARDWIRE

1 x 

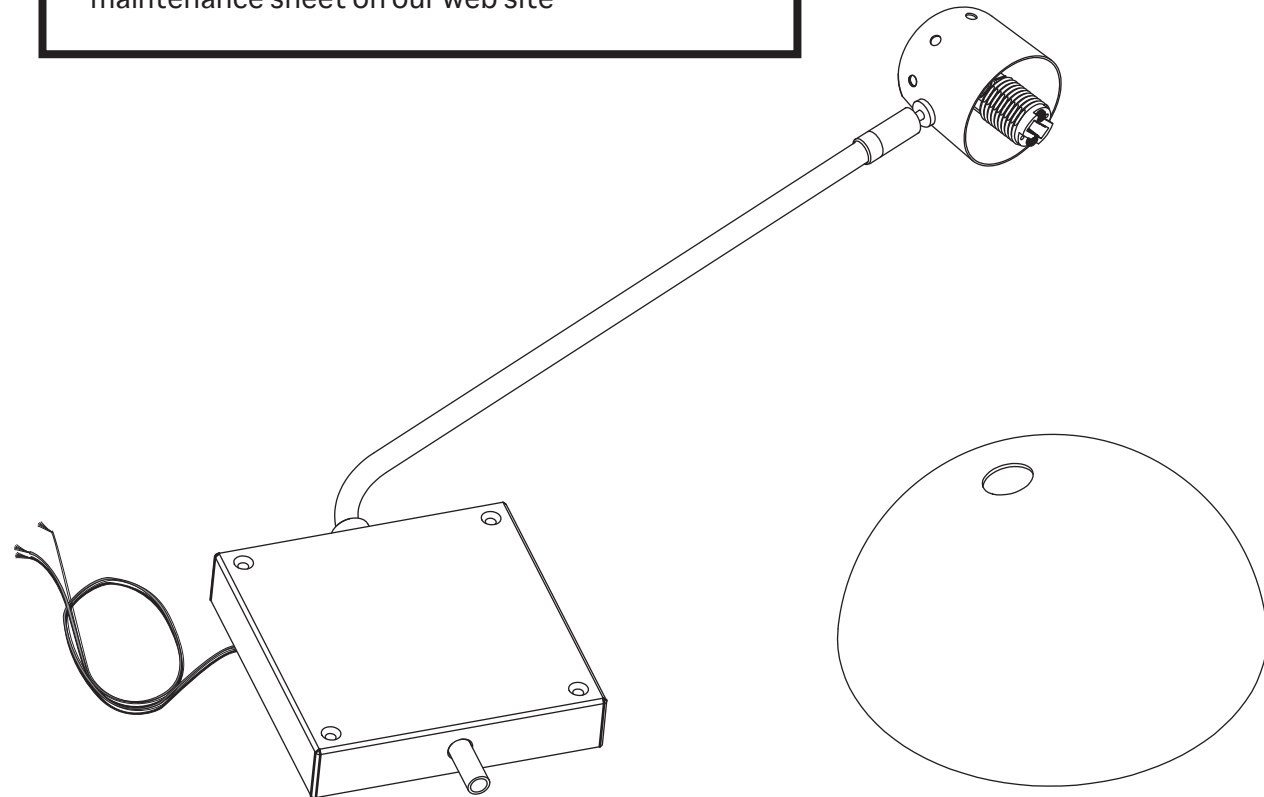
4 x 

1 x 
4.5W

1 x 
G60

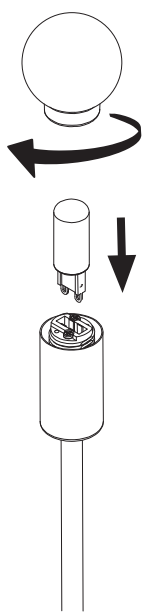


- To be installed by an electrician to an electrical box
- Use appropriate screws and anchors where necessary
- Wear enclosed gloves when handling lamp
- Handle materials with care. Please consult lamp maintenance sheet on our web site

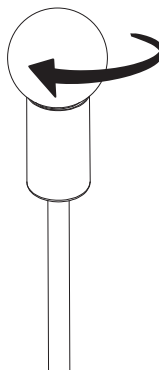




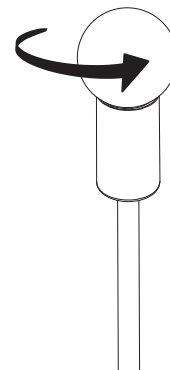
Important steps to follow when installing a glass globe



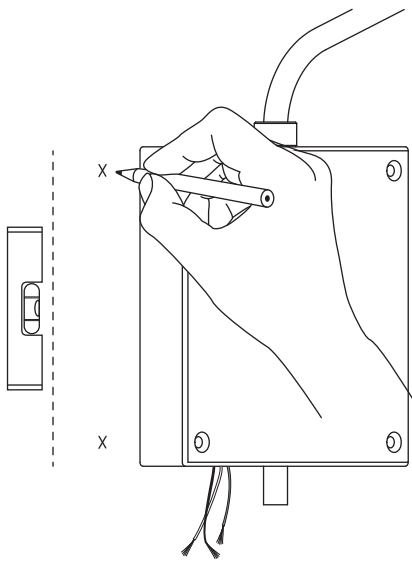
Insert bulb.



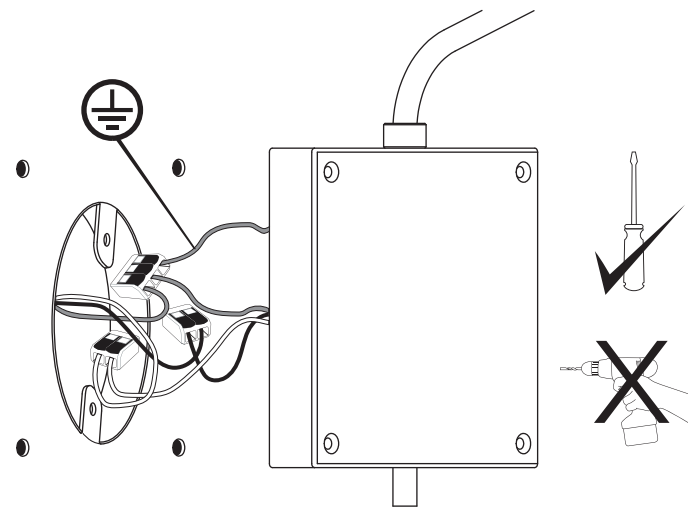
Screw in globe gently until it is tight.
Do not force the globe.



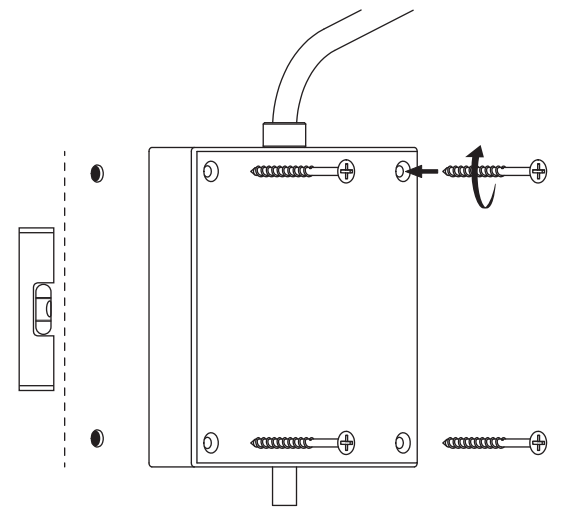
Unscrew bulb slightly 1/2 turn.



1

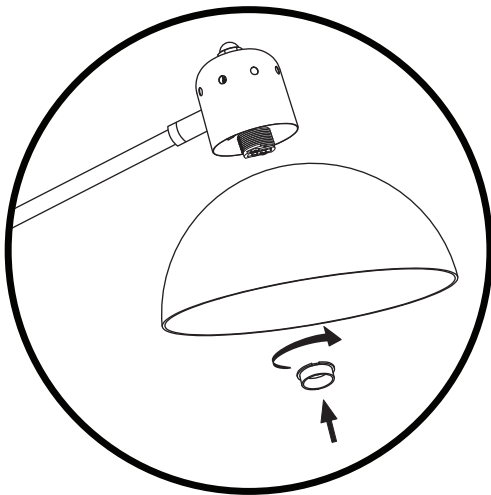


2

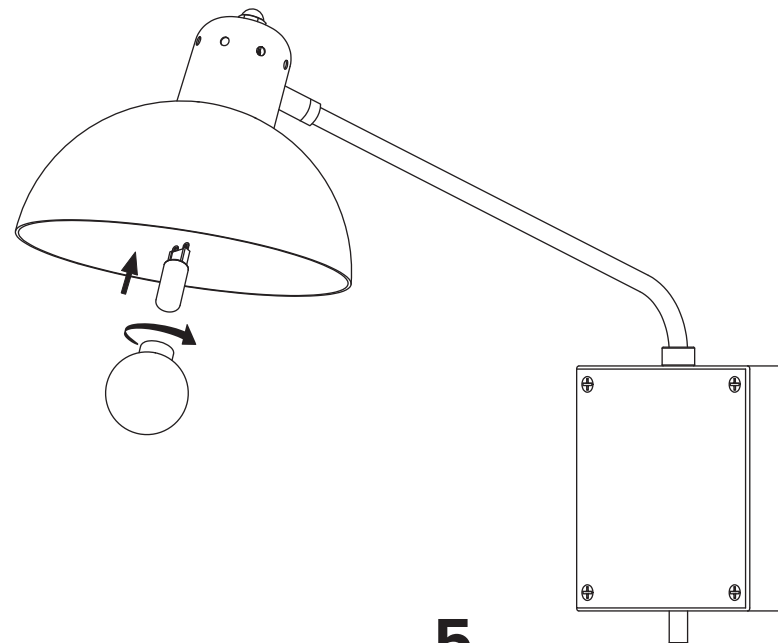


* Use appropriate anchors

3



4



5

