

WALDORF WALL LARGE SOFTWARE

1 x 

2 x 

1 x 

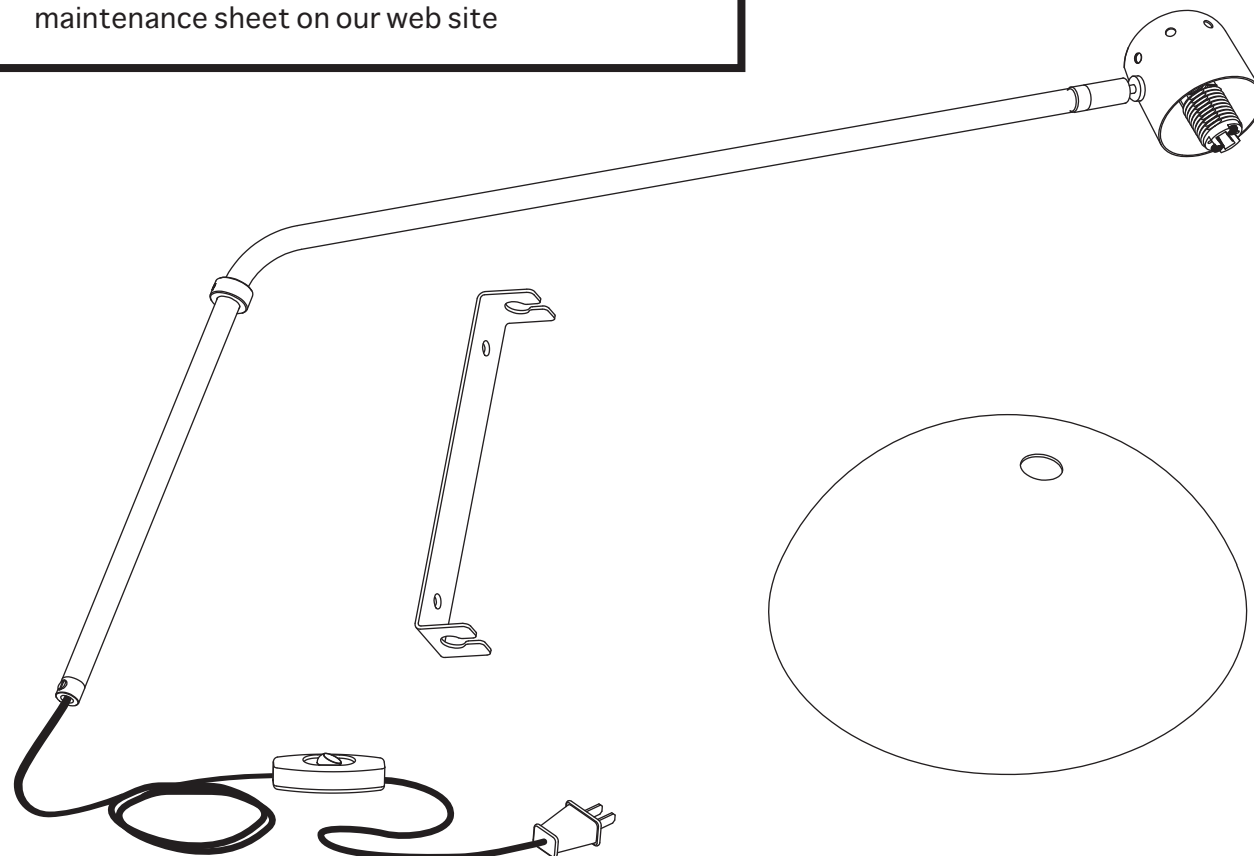
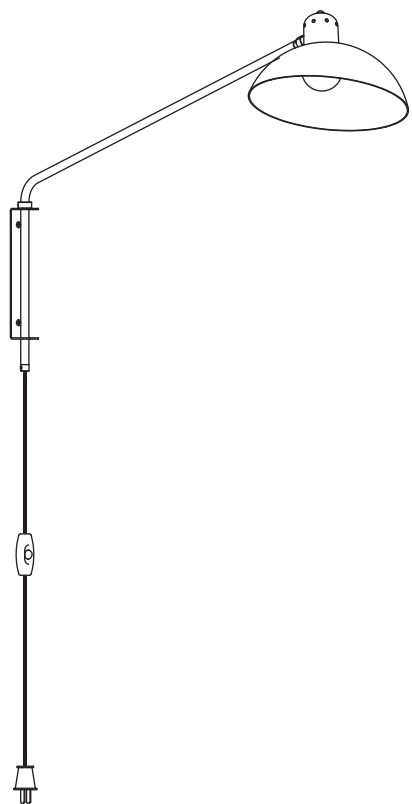
1 x 

4.5W

G60

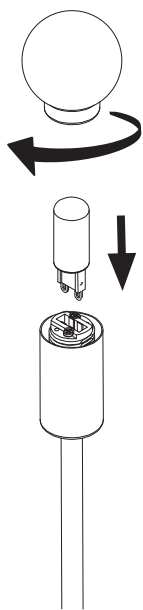


- To be installed by an electrician to an electrical box
- Use appropriate screws and anchors where necessary
- Wear enclosed gloves when handling lamp
- Handle materials with care. Please consult lamp maintenance sheet on our web site

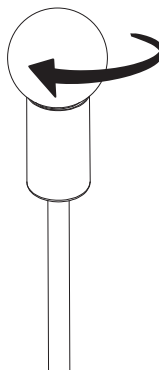




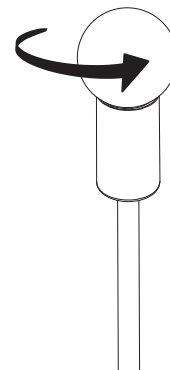
Important steps to follow when installing a glass globe



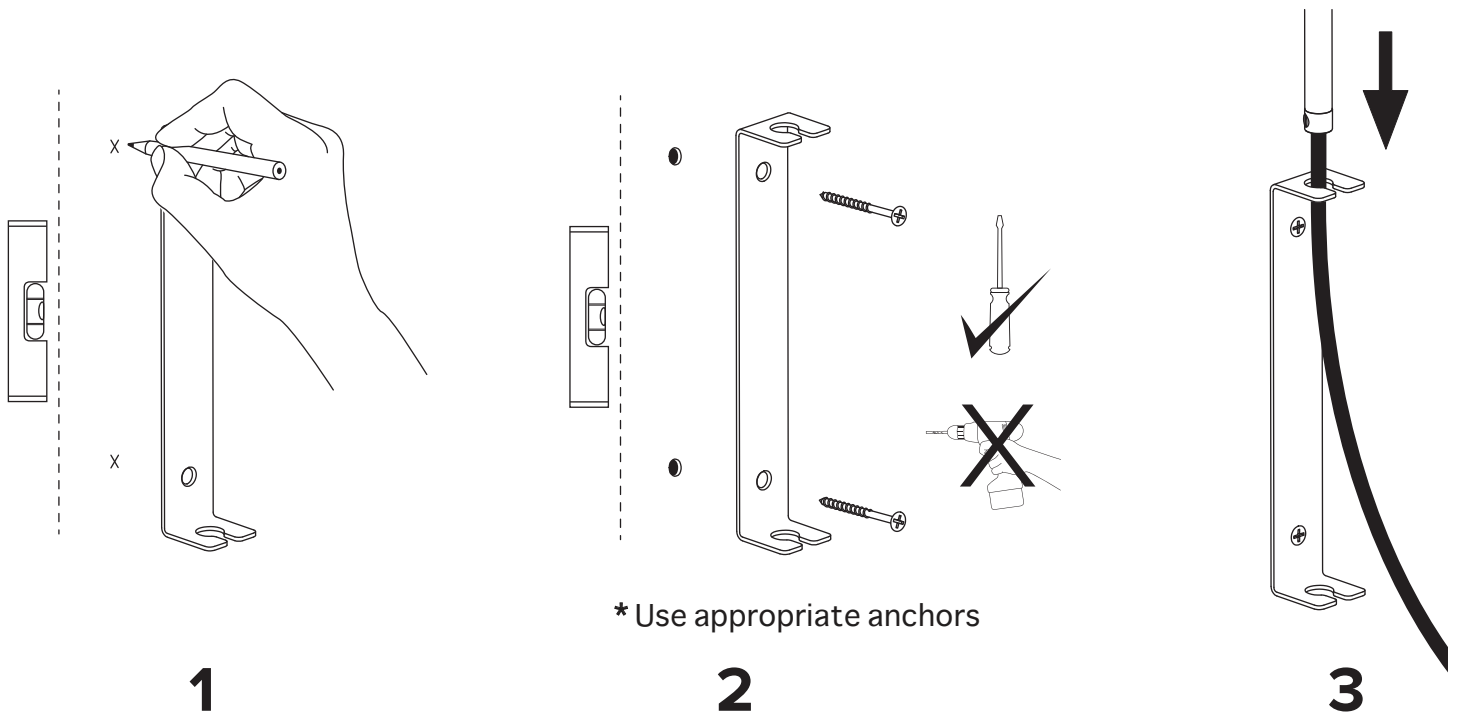
Insert bulb.



Screw in globe gently until it is tight.
Do not force the globe.



Unscrew bulb slightly 1/2 turn.



* Use appropriate anchors

