

ANVERS WALL / CEILING SMALL FLUSH

FINISH

satin brass finish with alabaster
bronze finish with alabaster

DIMENSIONS (body of fixture)

ø 195 x 48 mm (dia x h)

WEIGHT

2.5kg (5.5lbs)

please ensure wall/ceiling structure is strong enough to support the weight of the light

ILLUMINATION

220-240v - integrated LED - 10.5w - 3000K (modified to 2700k)
110-130v - integrated LED - 10.5w - 3000K (modified to 2700k) LED driver to be installed in the wall/ceiling cavity
drivers must be installed up to 20 meters from the body of the light

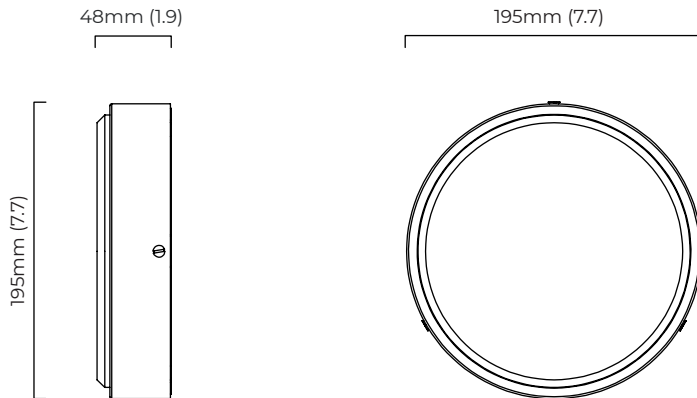
DIMMING

trailing edge dimmable / phase cut (rotary dimmer) - standard
DALI option available (220-240v only)
0/1-10v (220-240v) - on request

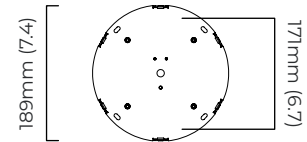
CEILING ROSE / PLATE

round ceiling plate - ø 195 mm (dia)

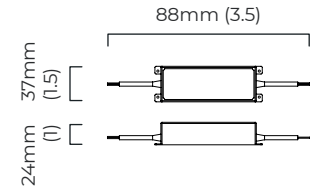
CERTIFICATION



mounting plate dimensions



LED driver dimensions



*Diagrams are not to scale.

SKU NUMBER	FINISH DESCRIPTION	VOLTAGE
ANVCWSBZHA-FL-240	bronze finish with alabaster	220 - 240V
ANVCWSSBHA-FL-240	satin brass finish with alabaster	220 - 240V
ANVCWSBZHA-FL-110	bronze finish with alabaster	110 - 130V
ANVCWSSBHA-FL-110	satin brass finish with alabaster	110 - 130V

ANVERS WALL / CEILING SMALL WALL / CEILING ROSE

FINISH

satin brass finish with alabaster
bronze finish with alabaster

DIMENSIONS (body of fixture)

ø 195 x 83 mm (dia x h)

WEIGHT

2.5kg (5.5lbs)

please ensure wall/ceiling structure is strong enough to support the weight of the light

ILLUMINATION

220-240v - integrated LED - 10.5w - 3000K (modified to 2700k)

110-130v - integrated LED - 10.5w - 3000K (modified to 2700k)

LED driver to be installed in the wall/ceiling rose

DIMMING

trailing edge dimmable / phase cut (rotary dimmer) - standard

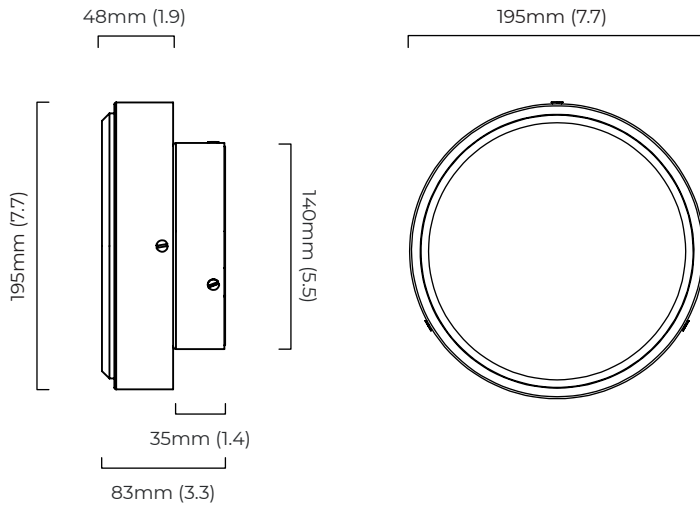
DALI option available (220-240v only)

0/1-10v (220-240v) - on request

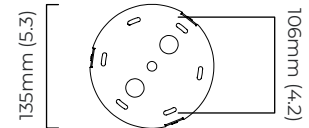
CEILING ROSE / PLATE

round ceiling rose - ø 140 x 35 mm (dia x h)

CERTIFICATION



mounting plate dimensions



*Diagrams are not to scale.

SKU NUMBER	FINISH DESCRIPTION	VOLTAGE
ANVCWSBZHA-CR-240	bronze finish with alabaster	220 - 240V
ANVCWSSBHA-CR-240	satin brass finish with alabaster	220 - 240V
ANVCWSBZHA-CR-110	bronze finish with alabaster	110 - 130V
ANVCWSSBHA-CR-110	satin brass finish with alabaster	110 - 130V

ANVERS WALL / CEILING SMALL FLUSH - DALI-A

FINISH

satin brass finish with alabaster
bronze finish with alabaster

DIMENSIONS (body of fixture)

ø 195 x 48 mm (dia x h)

WEIGHT

2.5kg (5.5lbs)

please ensure wall/ceiling structure is strong enough to support the weight of the light

ILLUMINATION

220-240v - integrated LED - 10.5w - 3000K (modified to 2700k)

DALI LED driver to be installed in the wall/ceiling cavity

drivers must be installed up to 20 meters from the body of the light

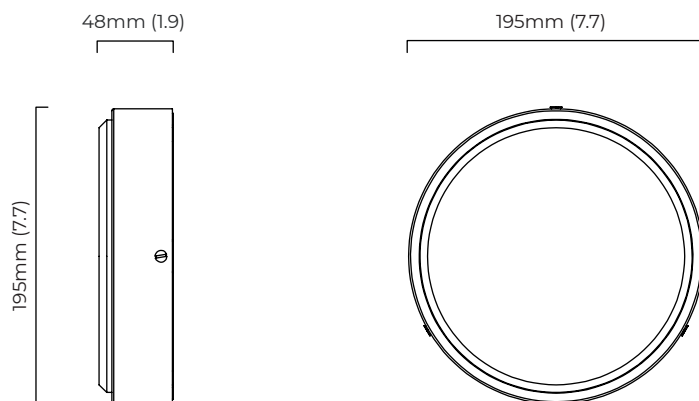
DIMMING

DALI compatible

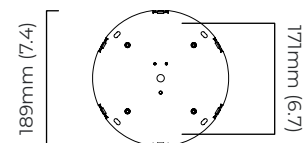
CEILING ROSE / PLATE

round ceiling plate - ø 195 mm (dia)

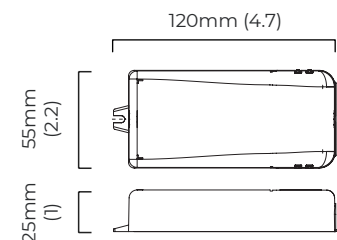
CERTIFICATION



mounting plate dimensions



DALI LED driver dimensions



*Diagrams are not to scale.

SKU NUMBER	FINISH DESCRIPTION	TYPE OF DALI	VOLTAGE
ANVCWSBZHA-CM-DALIA-240	bronze finish with alabaster	DALI A included - For lights that do not require aesthetic alterations. Dali can be fitted inside the ceiling/wall cavity	220 - 240V
ANVCWSSBHA-CM-DALIA-240	satin brass finish with alabaster	DALI A included - For lights that do not require aesthetic alterations. Dali can be fitted inside the ceiling/wall cavity	220 - 240V

ANVERS WALL / CEILING SMALL WALL / CEILING ROSE - DALI-A

FINISH

satin brass finish with alabaster
bronze finish with alabaster

DIMENSIONS (body of fixture)

ø 195 x 83 mm (dia x h)

WEIGHT

2.5kg (5.5lbs)

please ensure wall/ceiling structure is strong enough to support the weight of the light

ILLUMINATION

220-240v - integrated LED - 10.5w - 3000K (modified to 2700K)
DALI LED driver to be installed in the wall/ceiling rose

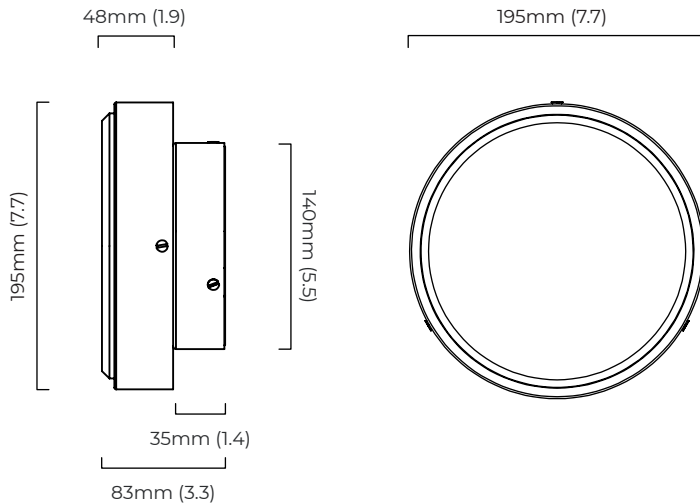
DIMMING

DALI compatible

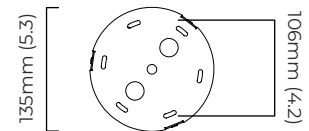
CEILING ROSE / PLATE

round ceiling rose - ø 140 x 35 mm (dia x h)

CERTIFICATION



mounting plate dimensions



*Diagrams are not to scale.

SKU NUMBER	FINISH DESCRIPTION	TYPE OF DALI	VOLTAGE
ANVCWSBZHA-CR-DALIA-240	bronze finish with alabaster	DALI A included - For lights that do not require aesthetic alterations. Dali can be fitted in the existent ceiling/wall rose	220 - 240V
ANVCWSSBHA-CR-DALIA-240	satin brass finish with alabaster	DALI A included - For lights that do not require aesthetic alterations. Dali can be fitted in the existent ceiling/wall rose	220 - 240V