

## ANVERS WALL / CEILING MEDIUM FLUSH

### FINISH

satin brass finish with alabaster  
bronze finish with alabaster

### DIMENSIONS (body of fixture)

ø 335 x 48 mm (dia x h)

### WEIGHT

7kg (15.4lbs)

please ensure wall/ceiling structure is strong enough to support the weight of the light

### ILLUMINATION

220-240v - integrated LED - 17w - 3000K (modified to 2700k)

110-130v - integrated LED - 17w - 3000K (modified to 2700k)

LED driver to be installed in the wall/ceiling cavity

drivers must be installed up to 20 meters from the body of the light

### DIMMING

trailing edge dimmable / phase cut (rotary dimmer) - standard

DALI option available (220-240v only)

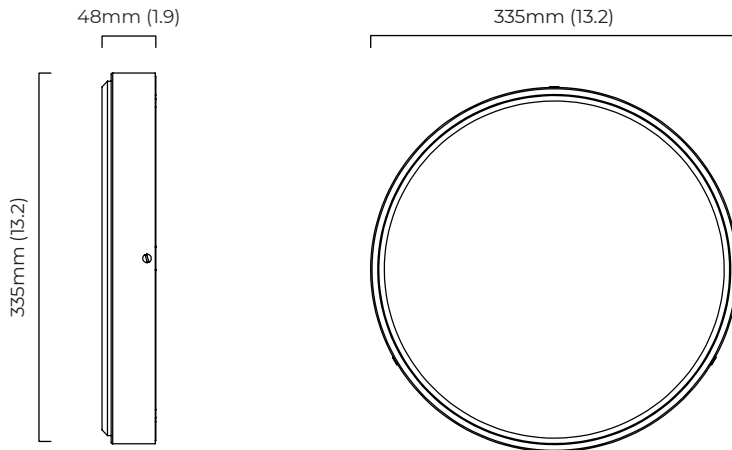
0/1-10v (220-240v) - on request



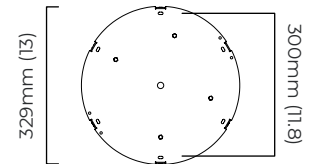
### CEILING ROSE / PLATE

round ceiling plate - ø 335 mm (dia)

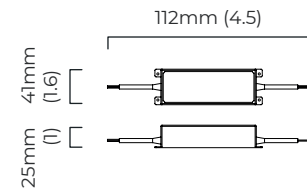
### CERTIFICATION



### mounting plate dimensions



### LED driver dimensions



\*Diagrams are not to scale.

SKU NUMBER	FINISH DESCRIPTION	VOLTAGE
ANVCWMBZHA-FL-240	bronze finish with alabaster	220 - 240V
ANVCWMSBHA-FL-240	satin brass finish with alabaster	220 - 240V
ANVCWMBZHA-FL-110	bronze finish with alabaster	110 - 130V
ANVCWMSBHA-FL-110	satin brass finish with alabaster	110 - 130V

## ANVERS WALL / CEILING MEDIUM WALL / CEILING ROSE

### FINISH

satin brass finish with alabaster  
bronze finish with alabaster

### DIMENSIONS (body of fixture)

ø 335 x 88 mm (dia x h)

### WEIGHT

7kg (15.4lbs)

please ensure wall/ceiling structure is strong enough to support the weight of the light

### ILLUMINATION

220-240v - integrated LED - 17w - 3000K (modified to 2700k)

110-130v - integrated LED - 17w - 3000K (modified to 2700k)

LED driver to be installed in the wall/ceiling rose

### DIMMING

trailing edge dimmable / phase cut (rotary dimmer) - standard

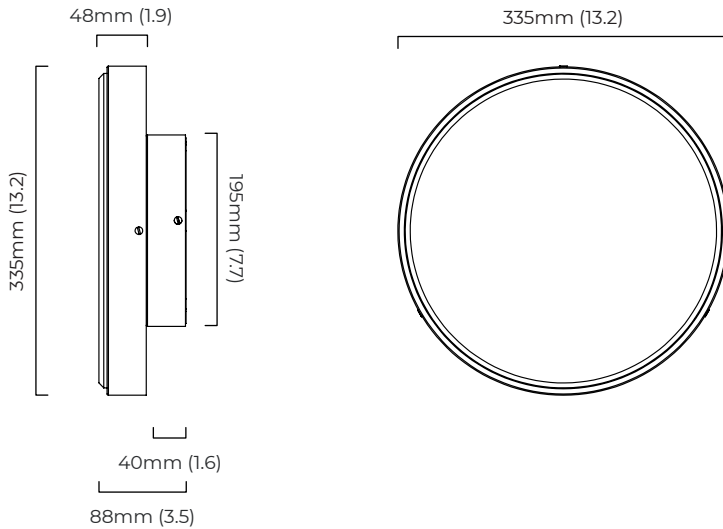
DALI option available (220-240v only)

0/1-10v (220-240v) - on request

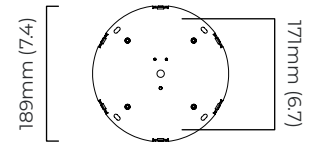
### CEILING ROSE / PLATE

round ceiling rose - ø 195 x 40 mm (dia x h)

### CERTIFICATION



mounting plate dimensions



\*Diagrams are not to scale.

SKU NUMBER	FINISH DESCRIPTION	VOLTAGE
ANVCWMBZHA-CR-240	bronze finish with alabaster	220 - 240V
ANVCWMSBHA-CR-240	satin brass finish with alabaster	220 - 240V
ANVCWMBZHA-CR-110	bronze finish with alabaster	110 - 130V
ANVCWMSBHA-CR-110	satin brass finish with alabaster	110 - 130V

## ANVERS WALL / CEILING MEDIUM FLUSH - DALI-A

### FINISH

satin brass finish with alabaster  
bronze finish with alabaster

### DIMENSIONS (body of fixture)

ø 335 x 48 mm (dia x h)

### WEIGHT

7kg (15.4lbs)

please ensure wall/ceiling structure is strong enough to support the weight of the light

### ILLUMINATION

220-240v - integrated LED - 17w - 3000K (modified to 2700k)

DALI LED driver to be installed in the wall/ceiling cavity

drivers must be installed up to 20 meters from the body of the light

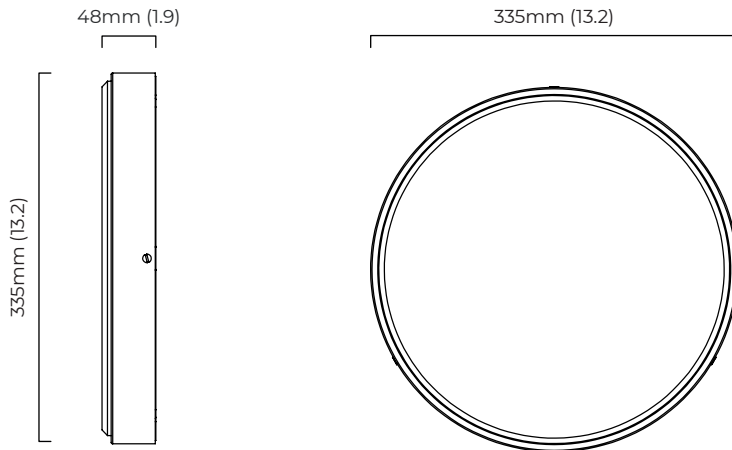
### DIMMING

DALI compatible

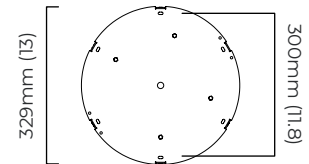
### CEILING ROSE / PLATE

round ceiling plate - ø 335 mm (dia)

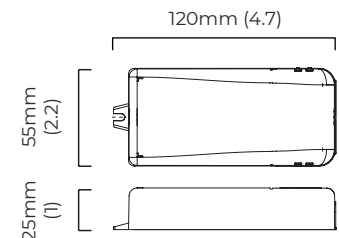
### CERTIFICATION



mounting plate dimensions



DALI LED driver dimensions



\*Diagrams are not to scale.

SKU NUMBER	FINISH DESCRIPTION	TYPE OF DALI	VOLTAGE
ANVCWMBZHA-CM-DALIA-240	bronze finish with alabaster	DALI A included - For lights that do not require aesthetic alterations. Dali can be fitted inside the ceiling/wall cavity	220 - 240V
ANVCWMSBHA-CM-DALIA-240	satin brass finish with alabaster	DALI A included - For lights that do not require aesthetic alterations. Dali can be fitted inside the ceiling/wall cavity	220 - 240V

## ANVERS WALL / CEILING MEDIUM WALL / CEILING ROSE - DALI-A

### FINISH

satin brass finish with alabaster  
bronze finish with alabaster

### DIMENSIONS (body of fixture)

ø 545 x 88 mm (dia x h)

### WEIGHT

7kg (15.4lbs)

please ensure wall/ceiling structure is strong enough to support the weight of the light

### ILLUMINATION

220-240v - integrated LED - 17w - 3000K (modified to 2700k)  
DALI LED driver to be installed in the wall/ceiling rose

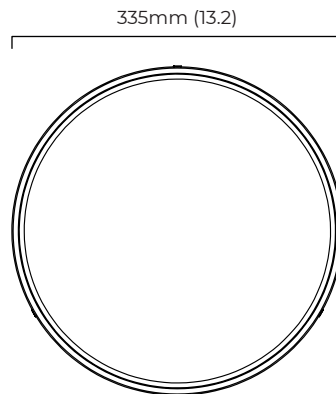
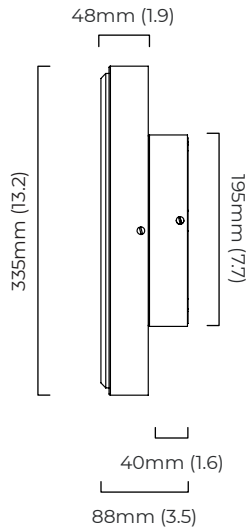
### DIMMING

DALI compatible

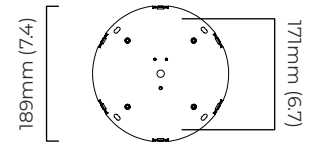
### CEILING ROSE / PLATE

round ceiling rose - ø 195 x 40 mm (dia x h)

### CERTIFICATION



mounting plate dimensions



\*Diagrams are not to scale.

SKU NUMBER	FINISH DESCRIPTION	TYPE OF DALI	VOLTAGE
ANVCWMBZHA-CR-DALIA-240	bronze finish with alabaster	DALI A included - For lights that do not require aesthetic alterations. Dali can be fitted in the existent ceiling/wall rose	220 - 240V
ANVCWMSBHA-CR-DALIA-240	satin brass finish with alabaster	DALI A included - For lights that do not require aesthetic alterations. Dali can be fitted in the existent ceiling/wall rose	220 - 240V