

## MODULO WALL SINGLE

### FINISH

bronze with smoked kiln cast glass and opal glass shades  
satin brass with smoked kiln cast glass and opal glass shades

### DIMENSIONS (body of fixture)

120 x 80 x 280 mm (w x d x h)

### WEIGHT

1kg (2.2lbs)

### ILLUMINATION

220-240v - integrated mains LED - 4.5w - 2700k  
110-130v - integrated mains LED - 4.5w - 2700k

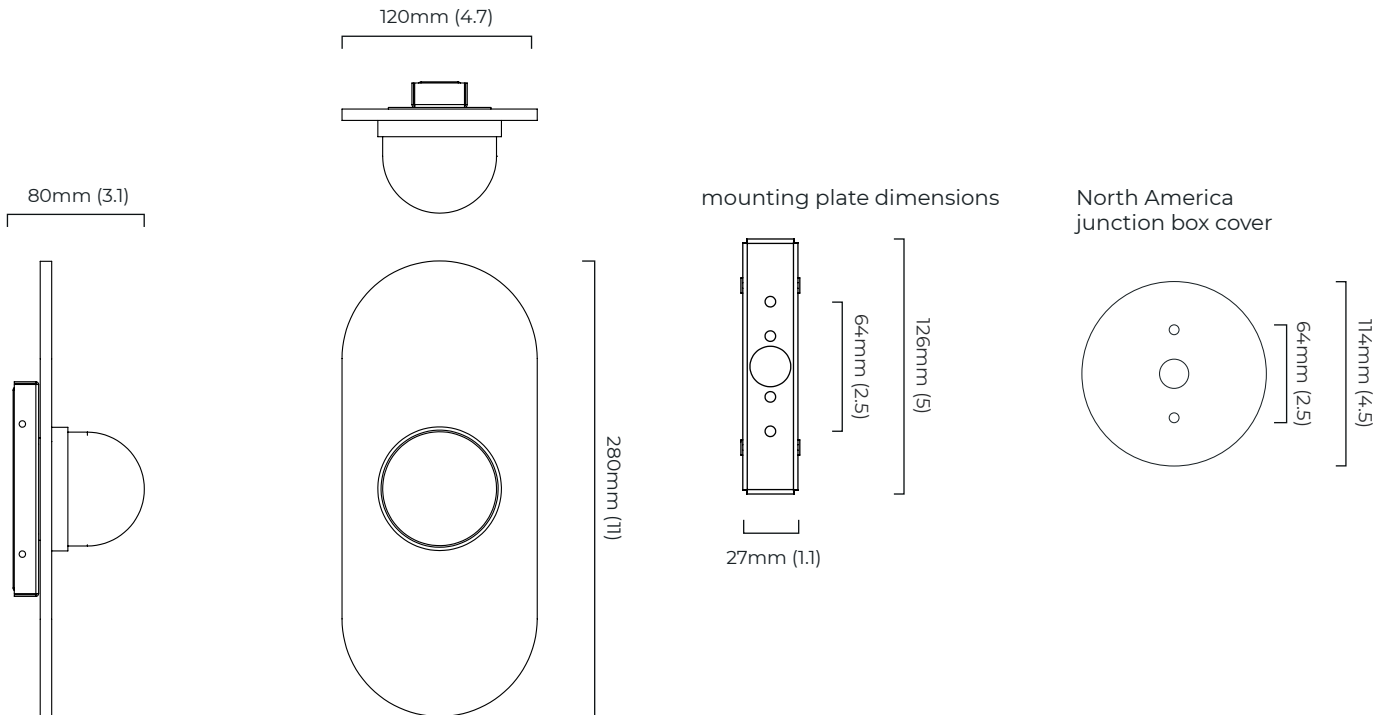
### DIMMING

trailing edge dimmable / phase cut (rotary dimmer) - standard  
DALI option available (220-240v only)

### WALL ROSE / PLATE

rectangular wall box - 34 x 132 x 15 mm (w x d x h)

### CERTIFICATION



\*Diagrams are not to scale.

SKU NUMBER	FINISH DESCRIPTION	VOLTAGE
MODWA1BZSKMO-240	bronze with smoked kiln cast glass and opal glass shades	220 - 240V
MODWA1SBSKMO-240	satin brass with smoked kiln cast glass and opal glass shades	220 - 240V
MODWA1BZSKMO-110	bronze with smoked kiln cast glass and opal glass shades	110 - 130V
MODWA1SBSKMO-110	satin brass with smoked kiln cast glass and opal glass shades	110 - 130V

## MODULO WALL SINGLE - DALI-A

### FINISH

bronze with smoked kiln cast glass and opal glass shades  
satin brass with smoked kiln cast glass and opal glass shades

### DIMENSIONS (body of fixture)

120 x 80 x 280 mm (w x d x h)

### WEIGHT

1kg (2.2lbs)

### ILLUMINATION

220-240v - integrated mains LED - 4.5w - 2700k  
DALI converter to be installed in the wall cavity

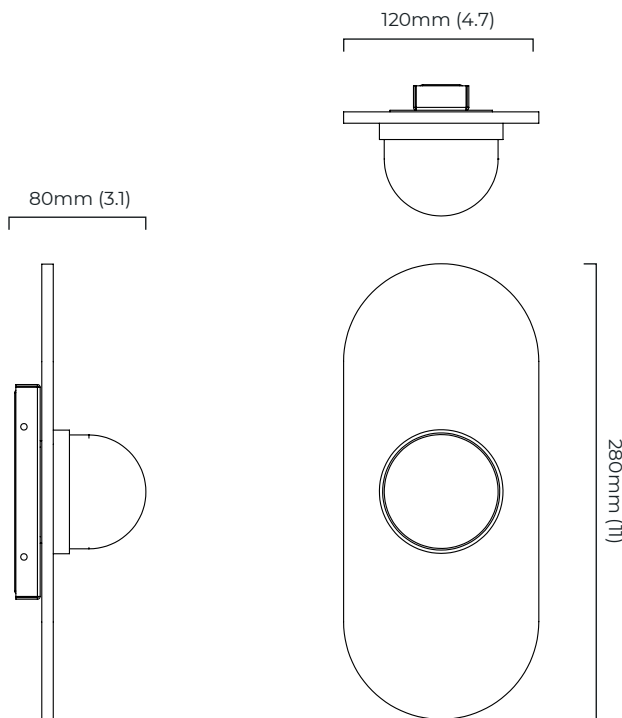
### DIMMING

DALI compatible

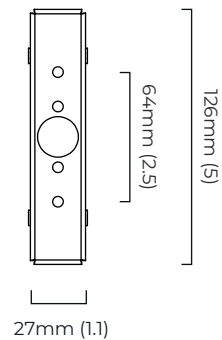
### WALL ROSE / PLATE

rectangular wall box - 34 x 132 x 15 mm (w x d x h)

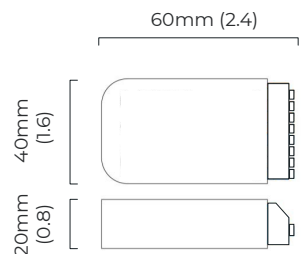
### CERTIFICATION



mounting plate dimensions



DALI converter dimensions



\*Diagrams are not to scale.

SKU NUMBER	FINISH DESCRIPTION	TYPE OF DALI	VOLTAGE
MODWA1BZSKMO-DALIA-240	bronze with smoked kiln cast glass and opal glass shades	DALI A included - For lights that do not require aesthetic alterations. Dali can be fitted inside the ceiling/wall cavity	220 - 240V
MODWA1BSKMO-DALIA-240	satin brass with smoked kiln cast glass and opal glass shades	DALI A included - For lights that do not require aesthetic alterations. Dali can be fitted inside the ceiling/wall cavity	220 - 240V