

TORRES WALL

FINISH

bronze
polished nickel
antique bronze
antique bronze with honed alabaster
bronze with honed alabaster

DIMENSIONS (body of fixture)

200 x 215 x 207 mm (w x d x h)

WEIGHT

2kg (4.4lbs)

ILLUMINATION

220-240v - 1 x G9 - max 4.5W LED 2700k
110-130v - 1 x G9 - max 4.5W LED 2700k
(no bulb supplied)
our bathroom lights are IP44 rated for 220-240v only
the lights are not damp rated for 110-130v

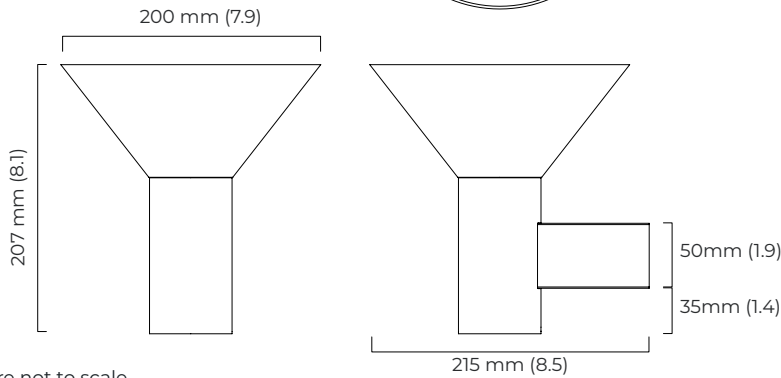
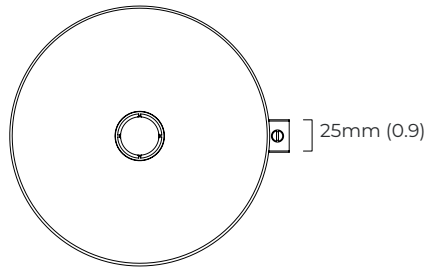
DIMMING

dimnable bulb required
trailing edge dimmable / phase cut (rotary dimmer) - standard
DALI option available (220-240v only)

WALL ROSE / PLATE

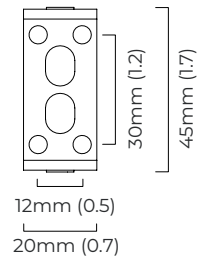
rectangular wall box - 25 x 50 mm (w x d)

CERTIFICATION



*Diagrams are not to scale.

mounting plate dimensions



SKU NUMBER	FINISH DESCRIPTION	VOLTAGE
TORWAOBZ44-240	bronze	220 - 240V
TORWAOBN44-240	polished nickel	220 - 240V
TORWAOAB44-240	antique bronze	220 - 240V
TORWAOABHA44-240	antique bronze with honed alabaster	220 - 240V
TORWAOBZHA44-240	bronze with honed alabaster	220 - 240V
TORWAOBZ-110	bronze	110 - 130V
TORWAOBZ-110	polished nickel	110 - 130V
TORWAOBZ-110	antique bronze	110 - 130V
TORWAOBZ-110	antique bronze with honed alabaster	110 - 130V
TORWAOBZ-110	bronze with honed alabaster	110 - 130V

North America junction box cover

