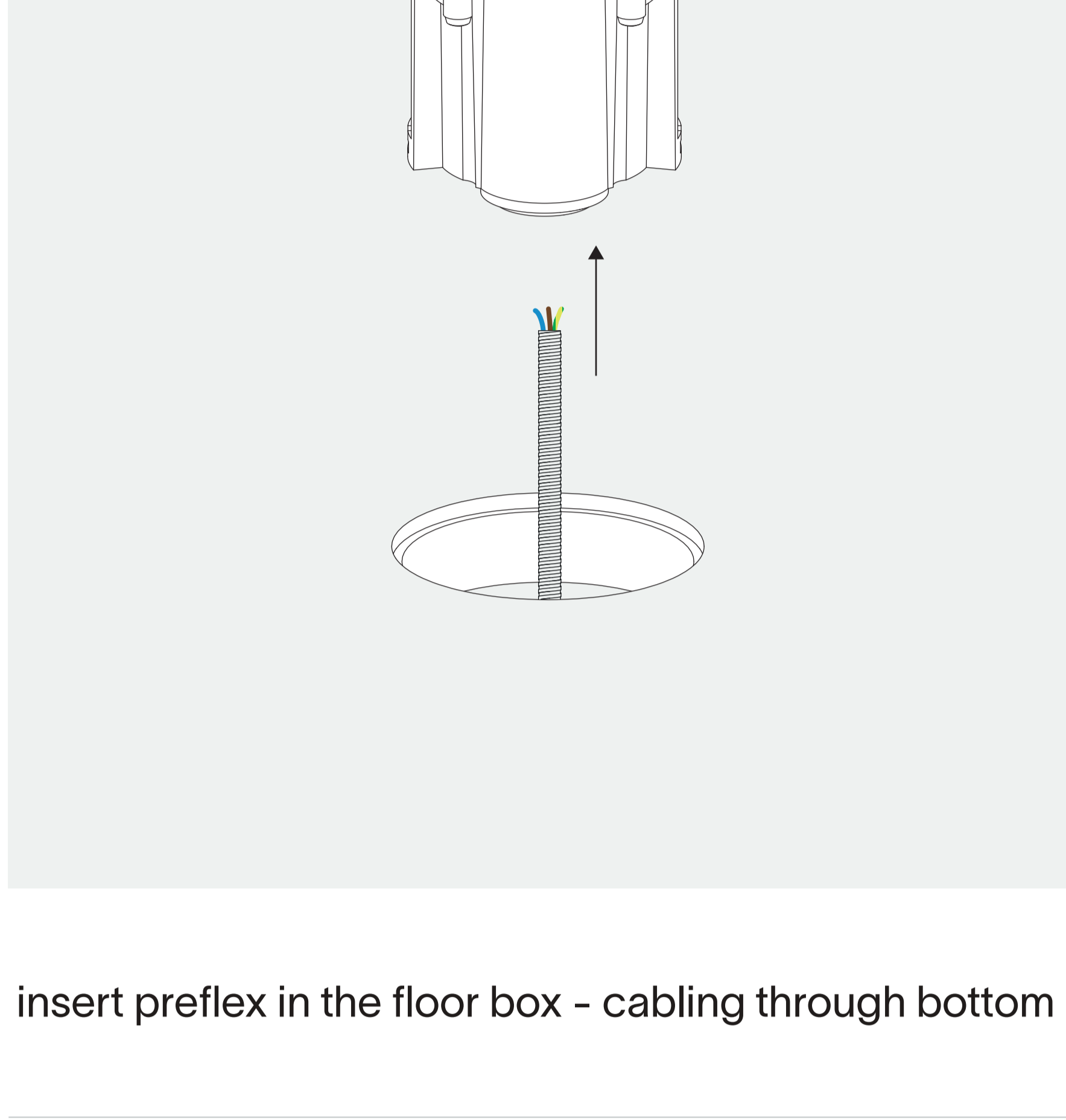
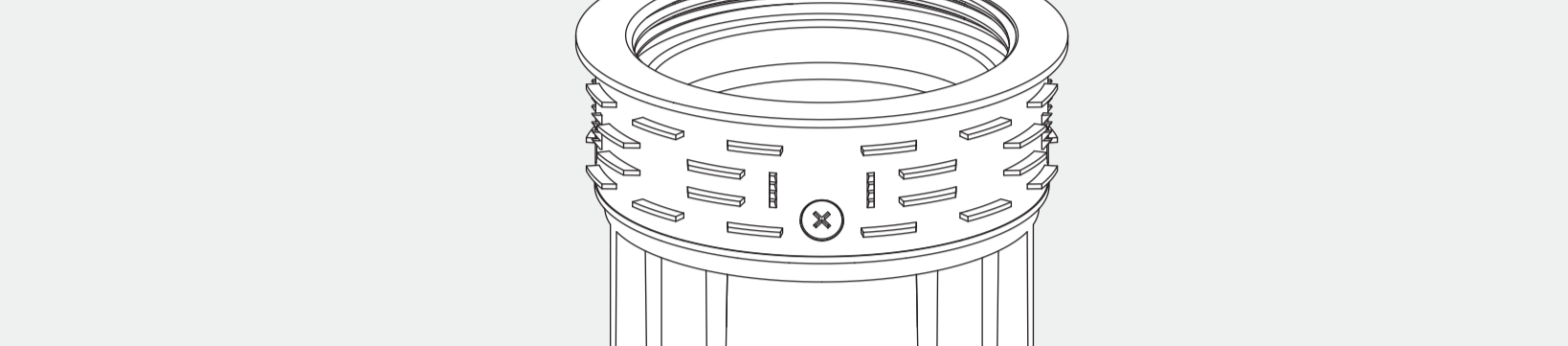


floor box Ø68 installation instruction

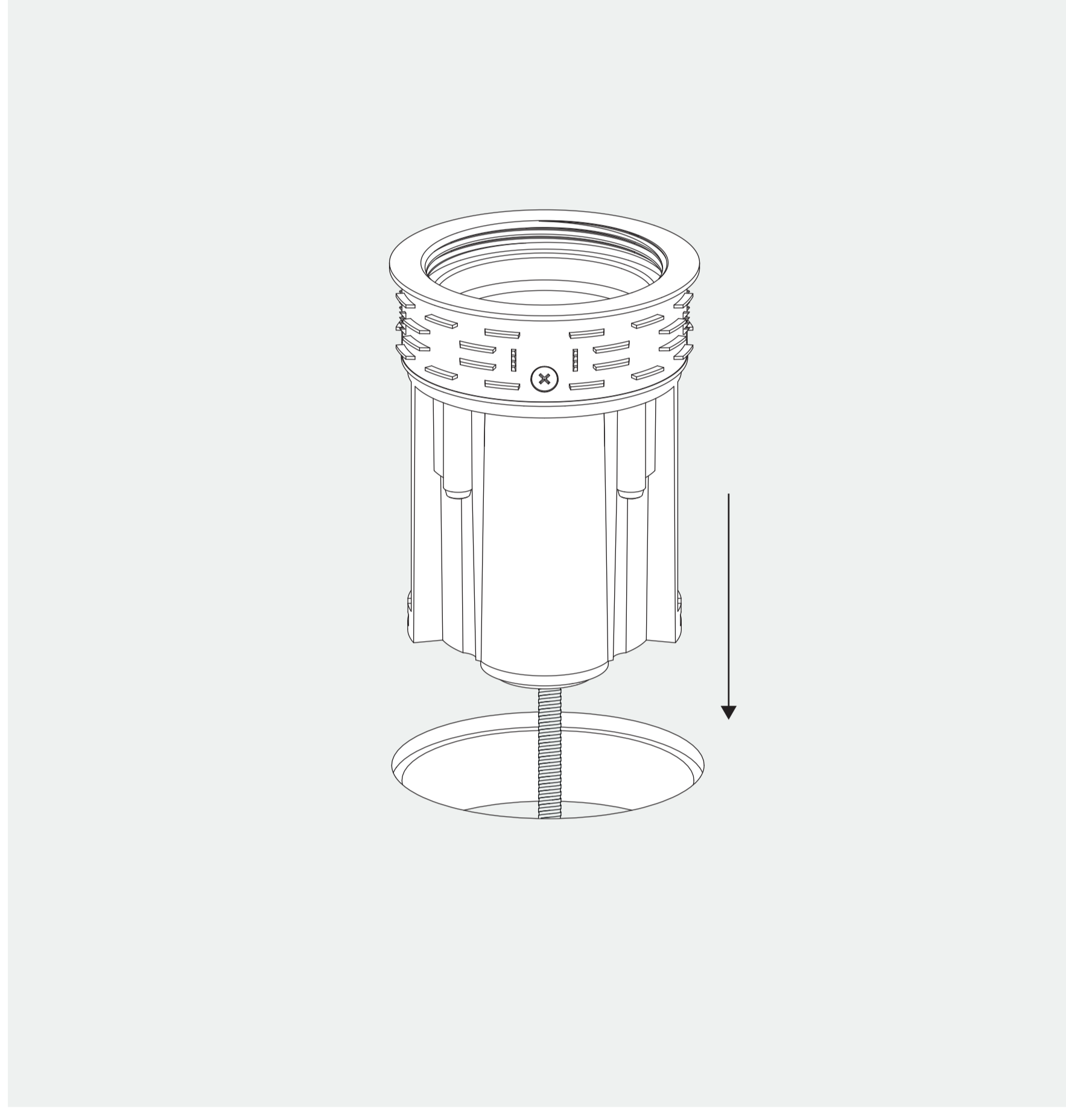


drill a Ø64 hole where the socket has to be located

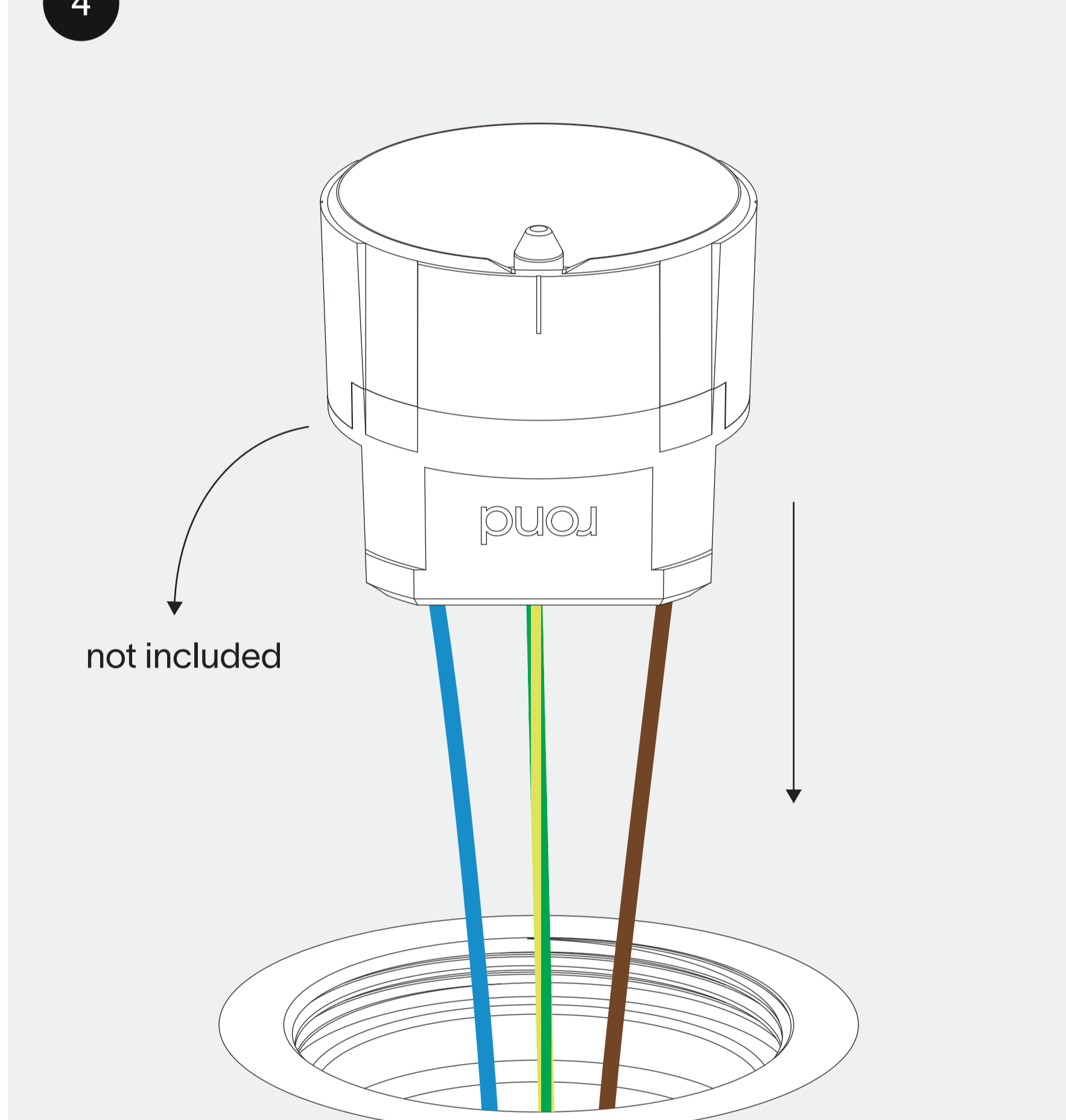
flush mount countersink



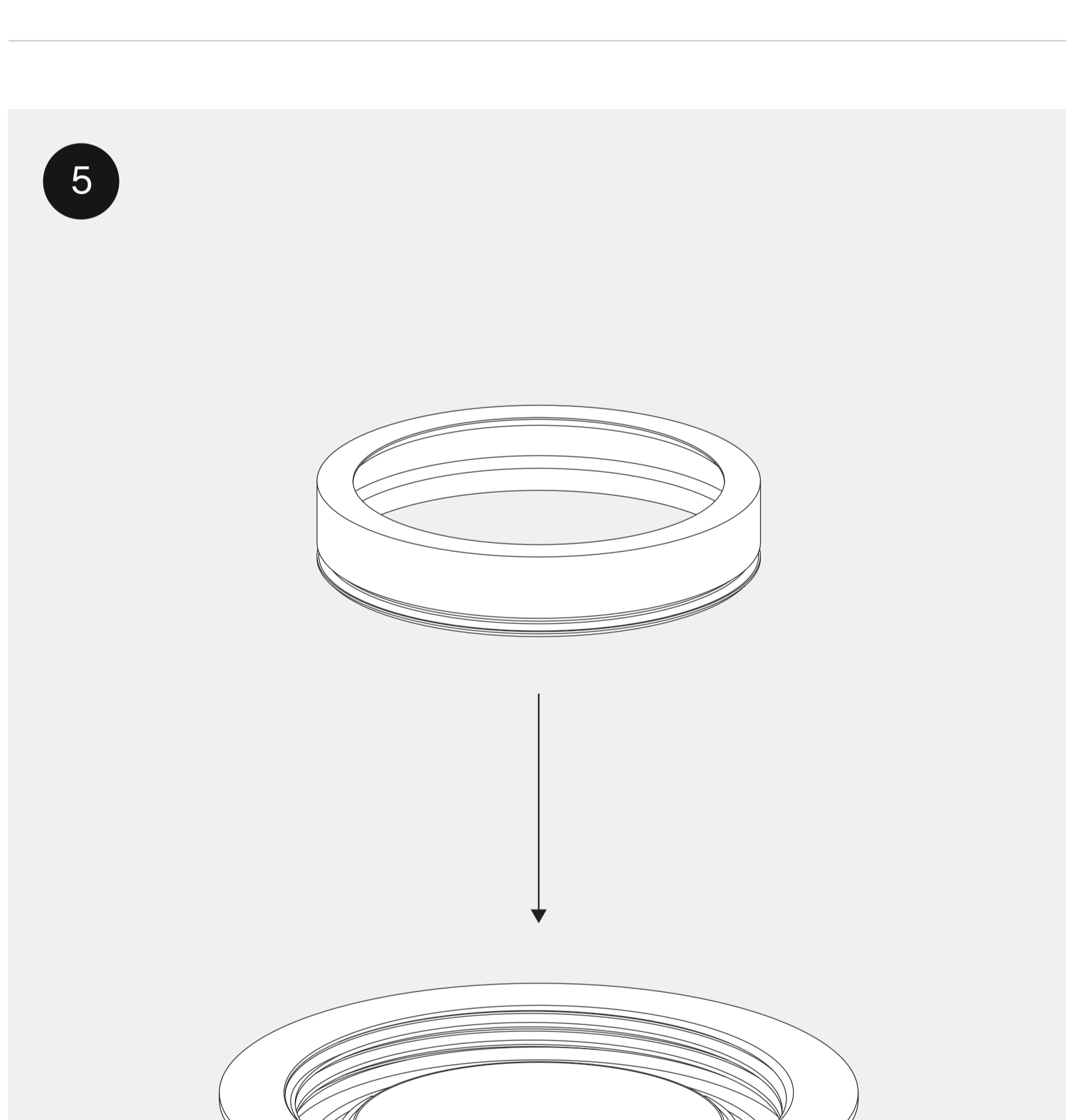
insert preflex in the floor box - cabling through bottom



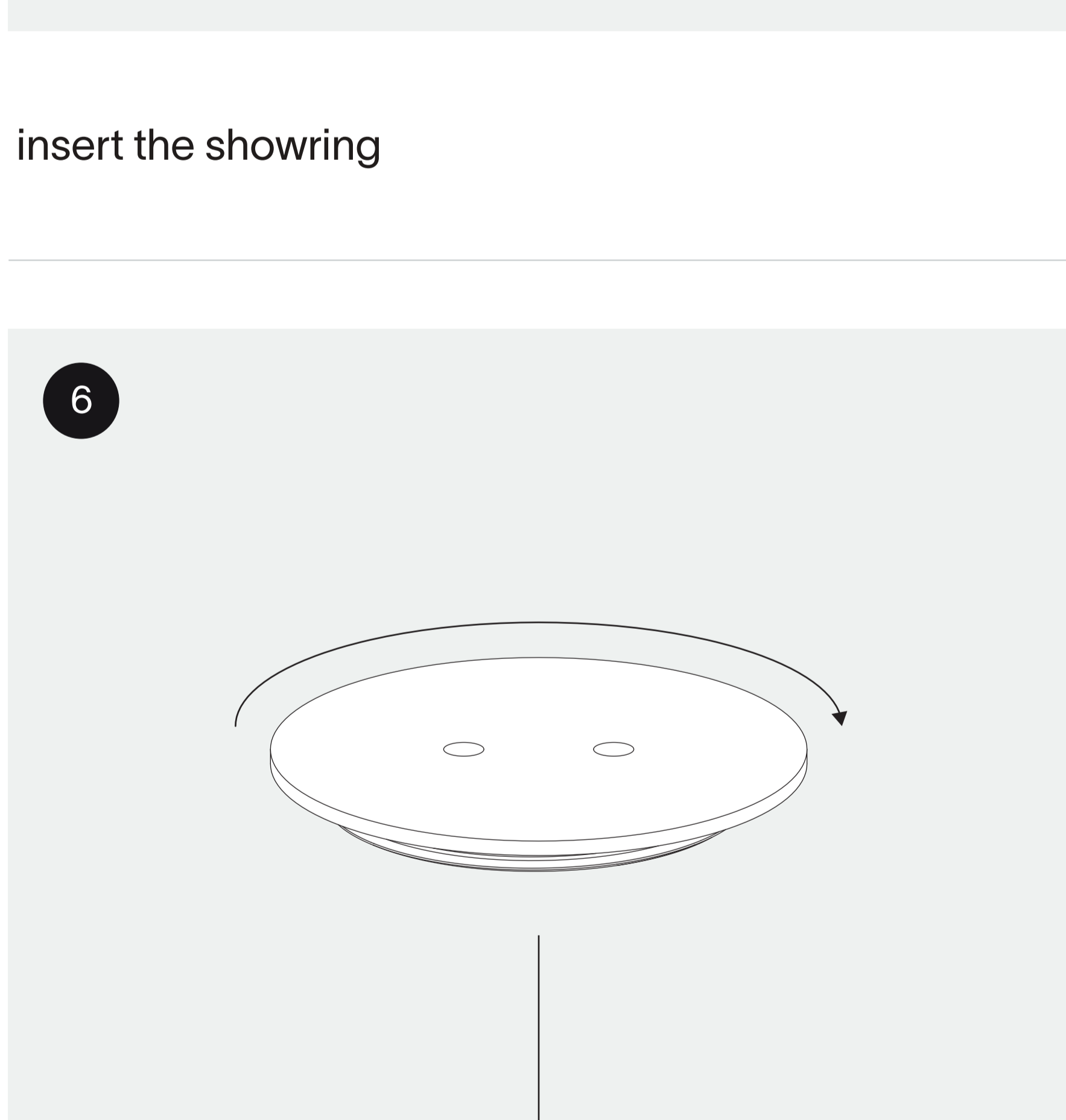
insert the floor box in the hole



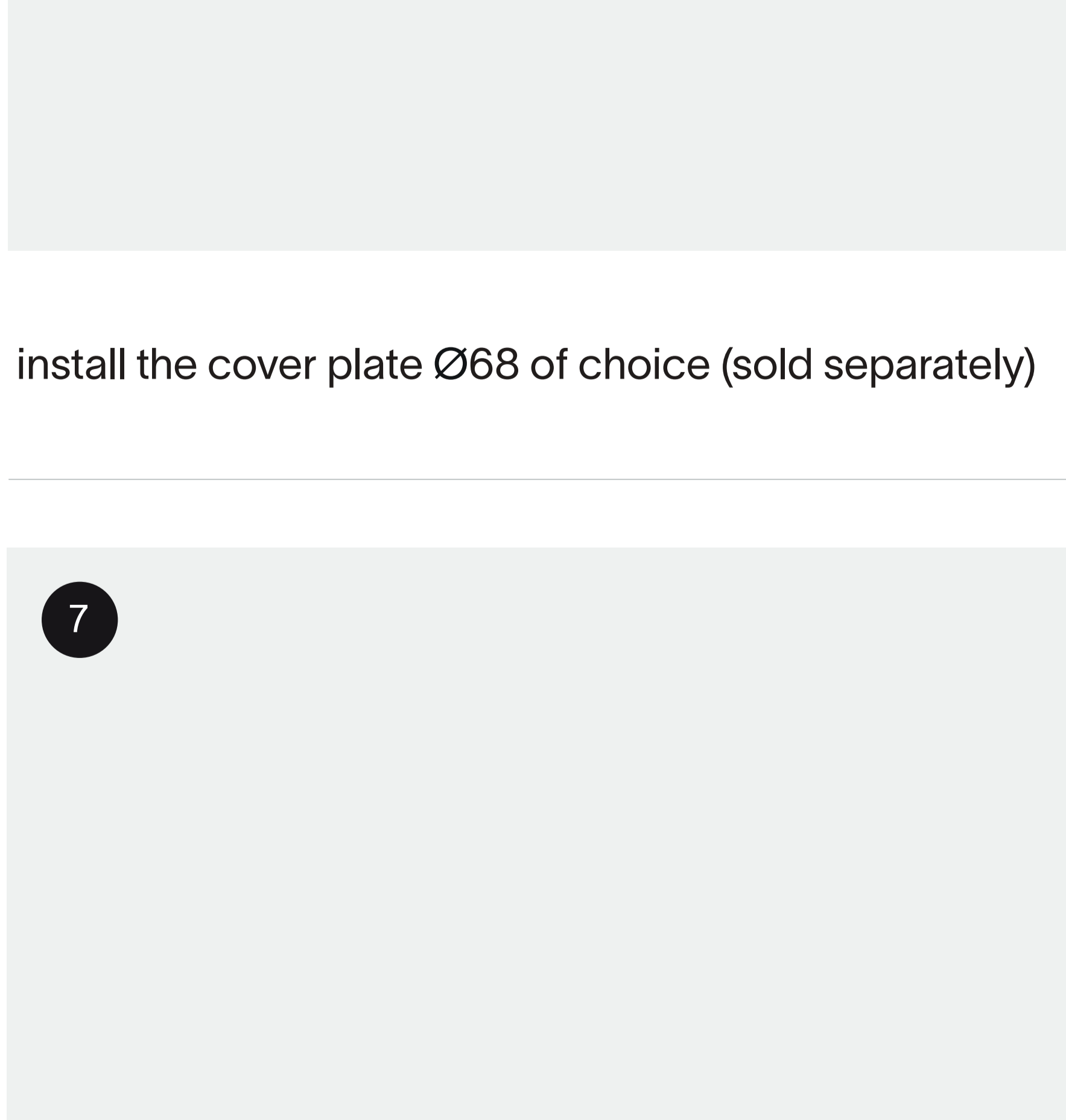
connect the socket (not included) and click it in the holder
compatible with **trimless retro/easy/backfit** type E/F socket modules



insert the showing



install the cover plate Ø68 of choice (sold separately)



for access remove the cover plate with a plug

thank you for choosing rond